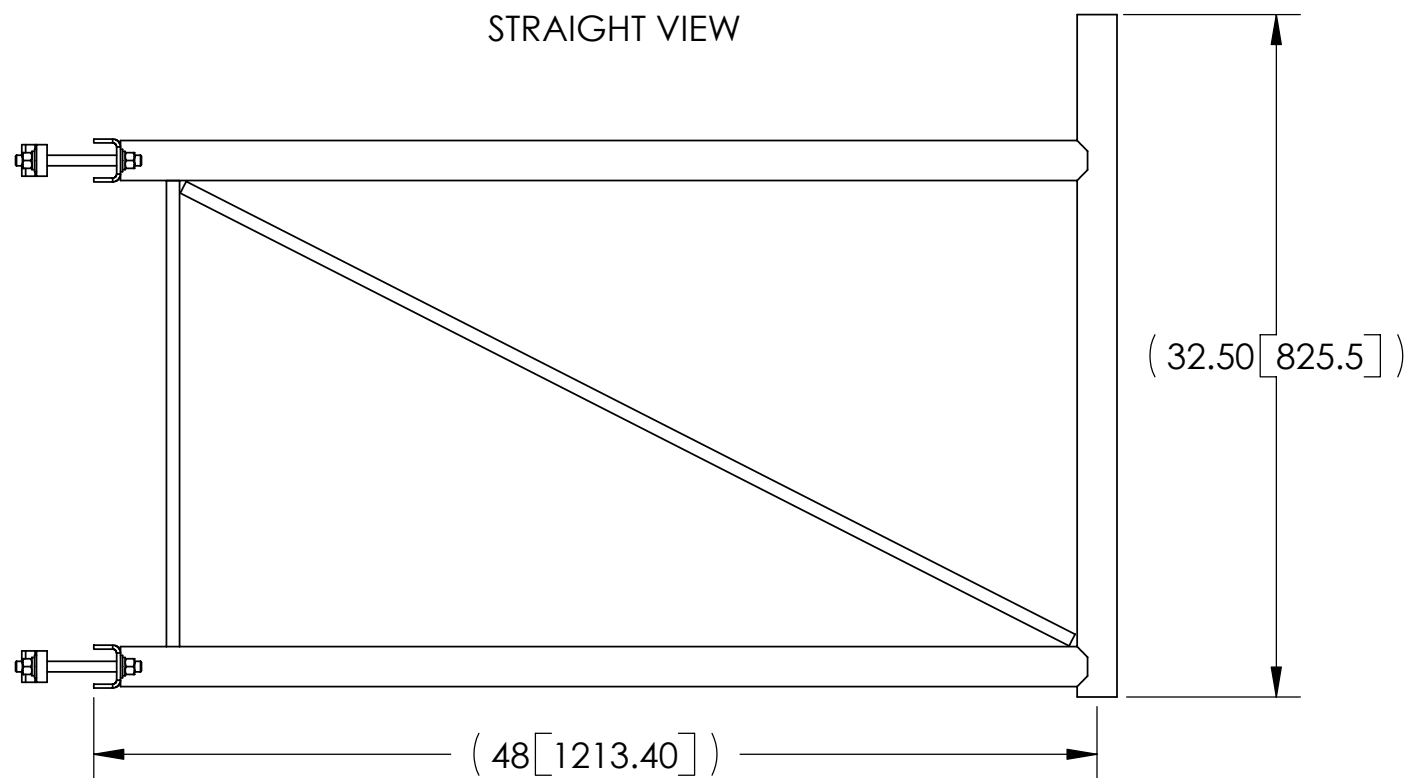
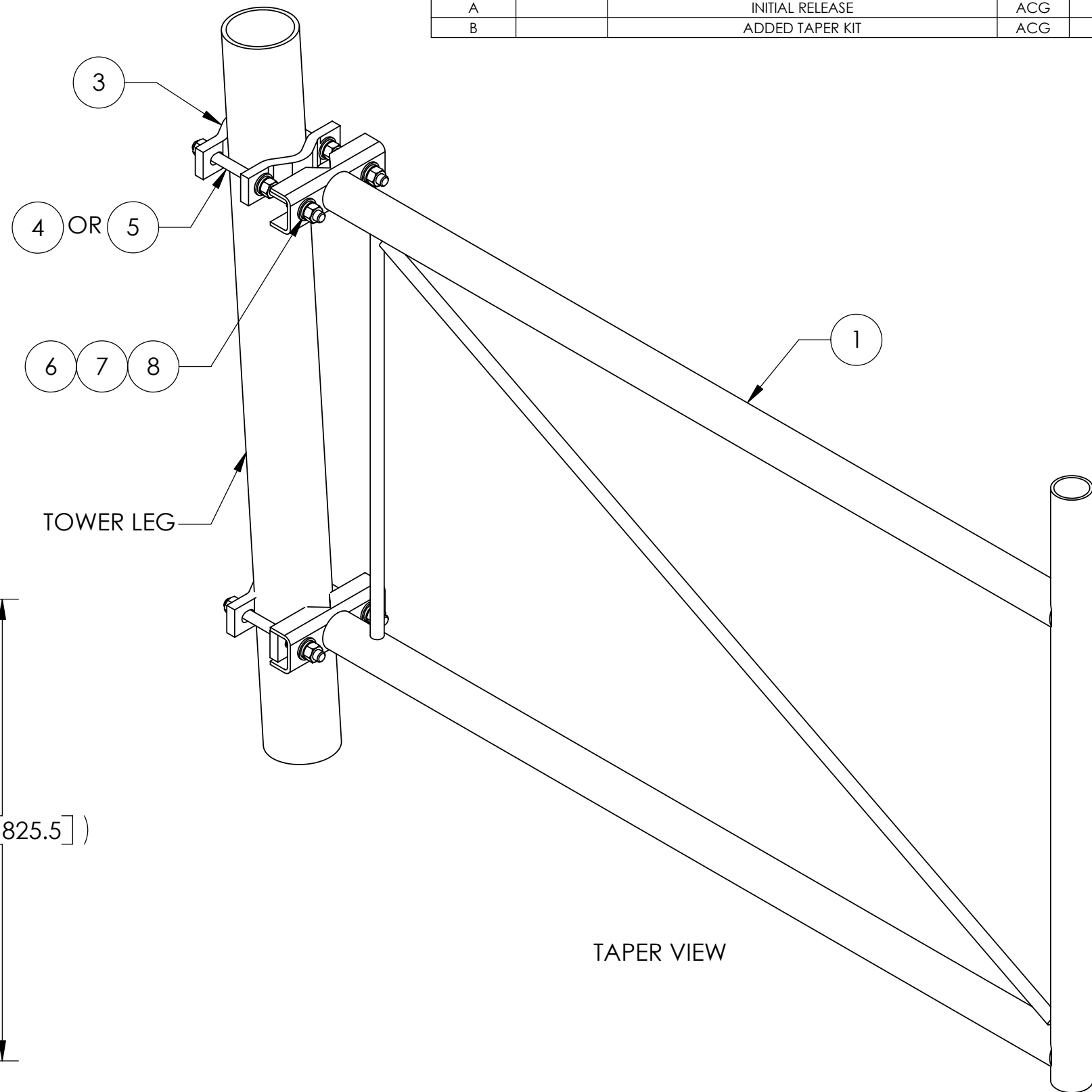



ITEM	PART NO.	DESCRIPTION	QTY.	WEIGHT
1	S400.01	48" STANDOFF WELDMENT	1	36.38 LBS
2	SH01	HARDWARE KIT (ITEMS 3-8)	1	
3	SCP10	SMALL DISH CLAMP HALF	4	1.20 LBS
4	MT-379-6	1/2" X 6" GALV THREADED ROD	4	0.33 LBS
5	MT-379-8	1/2" X 8" GALV THREADED ROD	2	0.44 LBS
6	GWF04A	1/2" GALV FLAT WASHER (A325)	14	0.02 LBS
7	GN04A	1/2" GALV HEX NUT (A325)	14	0.14 LBS
8	GWL-04	1/2" GALV LOCK WASHER	14	0.01 LBS

REVISIONS				
REV.	ZONE	DESCRIPTION	BY	DATE
A		INITIAL RELEASE	ACG	04/05/05
B		ADDED TAPER KIT	ACG	08/18/06



NOTES:

1. FITS  $\phi 1\frac{1}{2}$ " O.D. TO  $\phi 3\frac{1}{2}$ " O.D. ROUND TOWER LEGS.
2. ADDITIONAL CLAMP SETS THAT ADAPT TO LARGER ROUND LEGS, ANGLE LEGS, OR TAPERED MEMBERS MAY BE PURCHASED SEPARATELY.

<small>These drawings and specifications are the proprietary property of ANDREW CORPORATION and may be used only for the specific purpose authorized in writing by Andrew Corporation.</small> <small>ALL DIMENSIONS ARE IN INCHES U.O.S. TOLERANCES UNLESS OTHERWISE SPECIFIED:</small> .X = ± .06      ANGLES      ±2° .XX = ± .03      FRACTIONS      ±1/32 .XXX = ± .010 <small>REMOVE BURRS AND BREAK EDGES .005</small> <b>DO NOT SCALE THIS PRINT</b>	<small>DRAWN BY:</small> ACG	<small>SHEET:</small> 1 of 1	<small>PART NUMBER:</small> S-400
	<small>CHECKED BY:</small> TP	<small>SCALE:</small> NTS	<small>DESCRIPTION:</small> 48" STAND-OFF BRACKET
	<small>DATE:</small> 04/05/05	<small>MATERIAL:</small> A36, A53	<small>DRAWING TYPE:</small> ASSEMBLY DRAWING
	<small>REVISION:</small> B	<small>FINISH:</small> GALV A123  <small>WEIGHT:</small> 44.42 LBS	 ORLAND PARK, IL. 60462 U.S.A.