

COMMSCOPE®

**FOSC-A/B**

INSTALLATION INSTRUCTION

TC-477-IP

Rev A, Mar 2017

[www.commscope.com](http://www.commscope.com)

---

## **Universal Mounting Kits**

## **Kit contents**

All components are included to mount the closure in each of the specific applications.

### **1. Pole mounting: FOSC-A/B-UNI-MOUNT-P**

#### **Installation of the mounting bracket:**

Wooden pole: see picture 1 or 2

Concrete pole: see picture 2

**Mounting of the FOSC closure:** see pictures 3 and 4

### **2. Wall mounting: FOSC-A/B-UNI-MOUNT-W**

**Installation of the mounting bracket:** see picture 1

**Mounting of the FOSC closure:** see pictures 3 and 4

### **3. Rod mounting: FOSC-A/B-UNI-MOUNT-R**

**Installation of the mounting bracket:** see picture 5

**Mounting of the FOSC closure:** see pictures 3 and 4

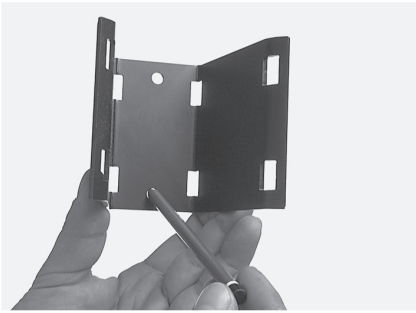
### **4. Aerial mounting: FOSC-A/B-UNI-MOUNT-A**

**Preparation of the mounting bracket:** see picture 6

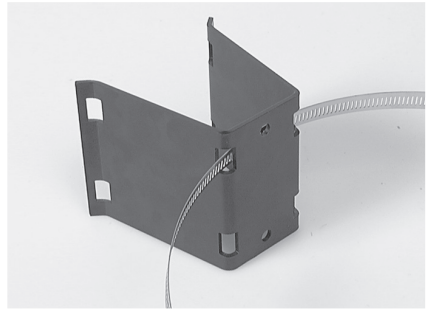
**Mounting of the FOSC closure:** see picture 3 and 4

#### **Mounting of the bracket onto the wire**

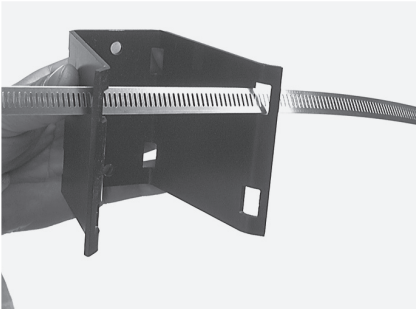
7. Bring mounted closure to mounting place, put the wire between clamps and tighten the nuts.



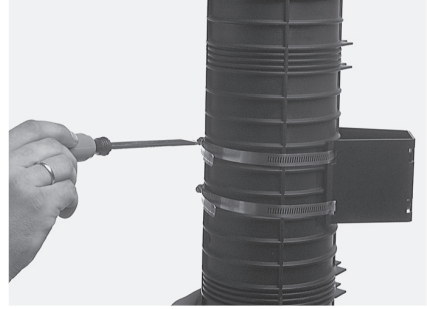
1. At the desired location, mark and drill the holes (drill diameter 8 mm - depth 60 mm).  
Fix mounting bracket to pole with 2 screws (diameter 6 mm - length 40 mm).



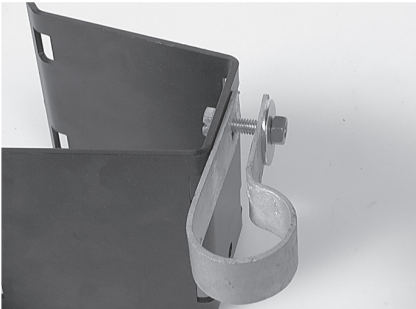
2. Insert the 2 longest metal straps through the slots in the back of the mounting bracket. Fix mounting bracket onto the pole by closing the metal straps around the pole. Fasten the straps with a screwdriver.



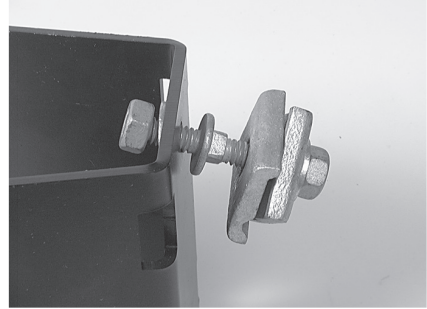
3. Insert the 2 metal straps through front slots of the mounting bracket.



4. Put the middle of the dome of the FOSC closure against the mounting bracket. Close the metal straps and fasten with a screwdriver (**do not deform the dome**).



5. Fix the mounting bracket with the 2 rod-clamps onto the rod.



6. Fix the 2 wire clamps onto the mounting bracket. Tighten the nuts off the clamps onto the bracket. Make sure that the clamps are positioned so that the wire is in line with the closure.

7. Bring mounted closure to mounting place, put the wire between clamps and tighten the nuts.

---

To find out more about CommScope® products, visit us on the web at [www.commscope.com](http://www.commscope.com)

For technical assistance, customer service, or to report any missing/damaged parts, visit us at: <http://www.commscope.com/SupportCenter>

© 2017 CommScope, Inc. All rights reserved.

FOSC and all trademarks identified by ® or ™ are registered trademarks or trademarks, respectively, of CommScope, Inc.

This document is for planning purposes only and is not intended to modify or supplement any specifications or warranties relating to CommScope products or services.

This product is covered by one or more U.S. patents or their foreign equivalents. For patents, see:

[www.commscope.com/ProductPatent/ProductPatent.aspx](http://www.commscope.com/ProductPatent/ProductPatent.aspx).