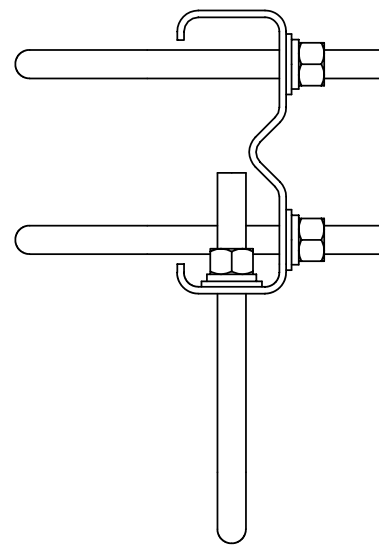
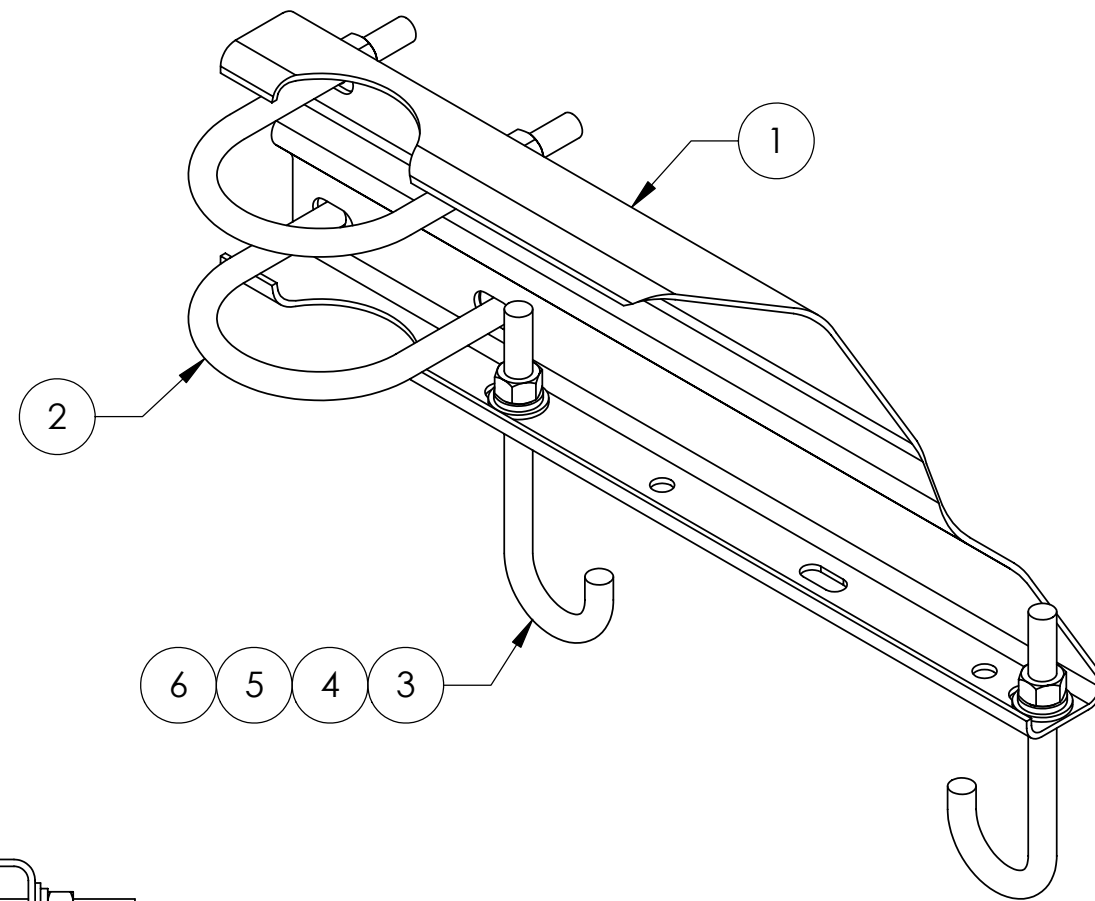
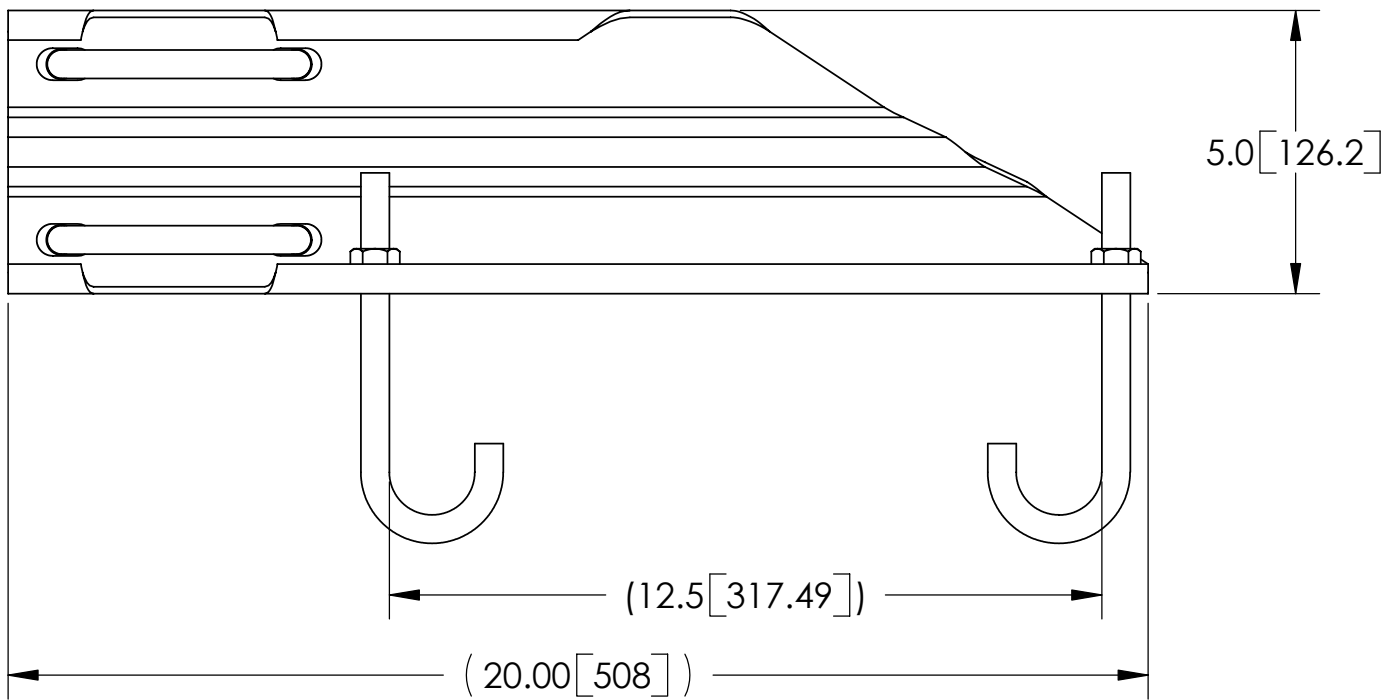
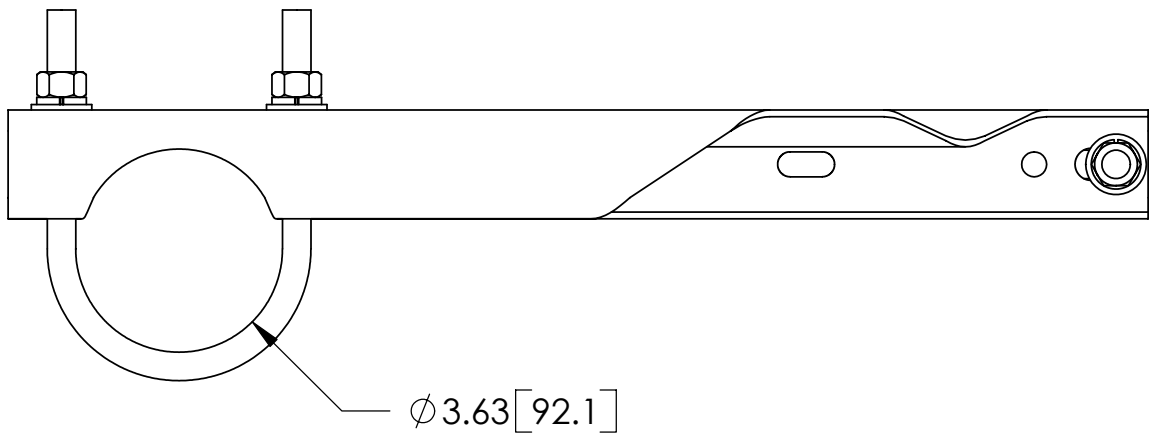


| ITEM | PART NO. | DESCRIPTION | QTY. | WEIGHT |
|------|------------|--------------------------------------|------|----------|
| 1 | WBLB123.07 | 12" WAVEGUIDE BRIDGE SUPPORT BRACKET | 1 | 4.71 LBS |
| 2 | GUB-4356 | 1/2" X 3-5/8" X 6" GALV U-BOLT KIT | 2 | 0.83 LBS |
| 3 | WB-JB-6 | 1/2" J-BOLT | 2 | 0.50 LBS |
| 4 | GWF-04 | 1/2" GALV FLAT WASHER | 2 | 0.01 LBS |
| 5 | GWL-04 | 1/2" GALV LOCK WASHER | 2 | 0.00 LBS |
| 6 | GN-04 | 1/2" GALV HEX NUT | 2 | 0.01 LBS |

| REVISIONS | | | | |
|-----------|------|----------------------------------|-----|----------|
| REV. | ZONE | DESCRIPTION | BY | DATE |
| D | | NEW DESIGN | DI | 03/08/05 |
| E | | REPLACE WBLB12306 WITH WBLB12307 | ACG | 08/28/07 |



NOTES:

1. ALL METRIC DIMENSIONS ARE IN BRACKETS.

| | | | |
|--|-------------------|----------------------|--|
| These drawings and specifications are the proprietary property of ANDREW CORPORATION and may be used only for the specific purpose authorized in writing by Andrew Corporation. ALL DIMENSIONS ARE IN INCHES U.O.S. TOLERANCES UNLESS OTHERWISE SPECIFIED: .X = ± .06 ANGLES ±2' .XX = ± .03 FRACTIONS ±1/32 .XXX = ± .010 REMOVE BURRS AND BREAK EDGES .005 DO NOT SCALE THIS PRINT | DRAWN BY: DI | SHEET: 1 of 1 | PART NUMBER: WB-LB12-3 |
| | CHECKED BY: TP | SCALE: NTS | DESCRIPTION: 12" WAVEGUIDE BRIDGE SUPPORT BRACKET KIT |
| | DATE: 3/8/05 | MATERIAL: A36 | DRAWING TYPE: ASSEMBLY DRAWING |
| | REVISION: E | FINISH: GALV A123 | WEIGHT: 7.81 LBS |