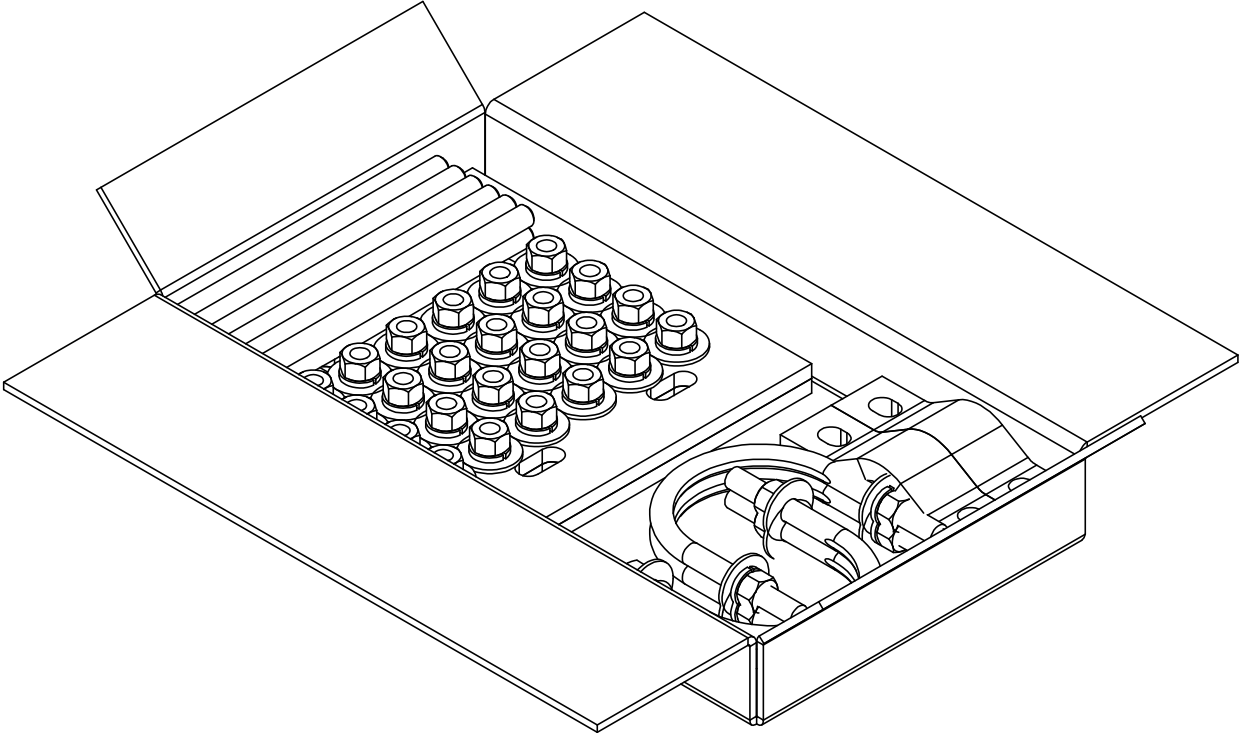


ITEM	PART NO.	DESCRIPTION	QTY.	WEIGHT	NOTE NO.
1	XP3030.01	CROSSOVER PLATE ϕ 3-1/2" O.D. TO ϕ 3-1/2" O.D.	2	9.11 LBS	
2	SCP10	SMALL DISH CLAMP HALF	4	1.20 LBS	
3	GUB-4355	1/2" X 3-5/8" X 5" GALV U-BOLT	4	0.71 LBS	1
4	MT-379-8	1/2" X 8" GALV THREADED ROD	12	0.44 LBS	1
5	GWL-04	1/2" GALV LOCK WASHER	24	0.01 LBS	1
6	GN-04	1/2" GALV HEX NUT	24	0.04 LBS	1
7	GWF-04	1/2" GALV FLAT WASHER	24	0.03 LBS	1
8	BX60	Box, 17-1/2" X 9-1/2" X 2"	1	1.86 LBS	
9	DOCUMENT RECORD	INSERT DRAWING XP-197-35UD INTO BOX	1	-	1

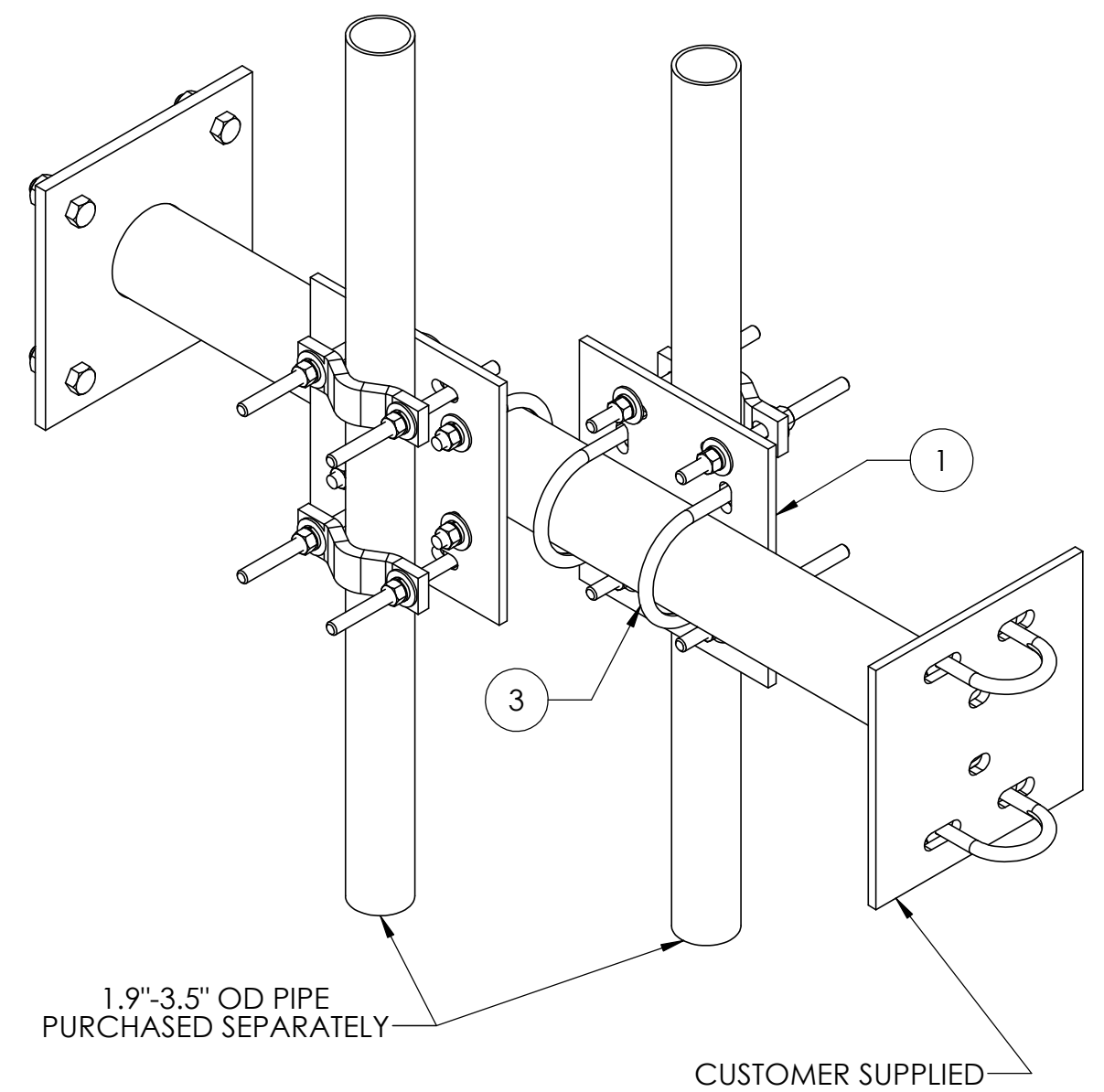
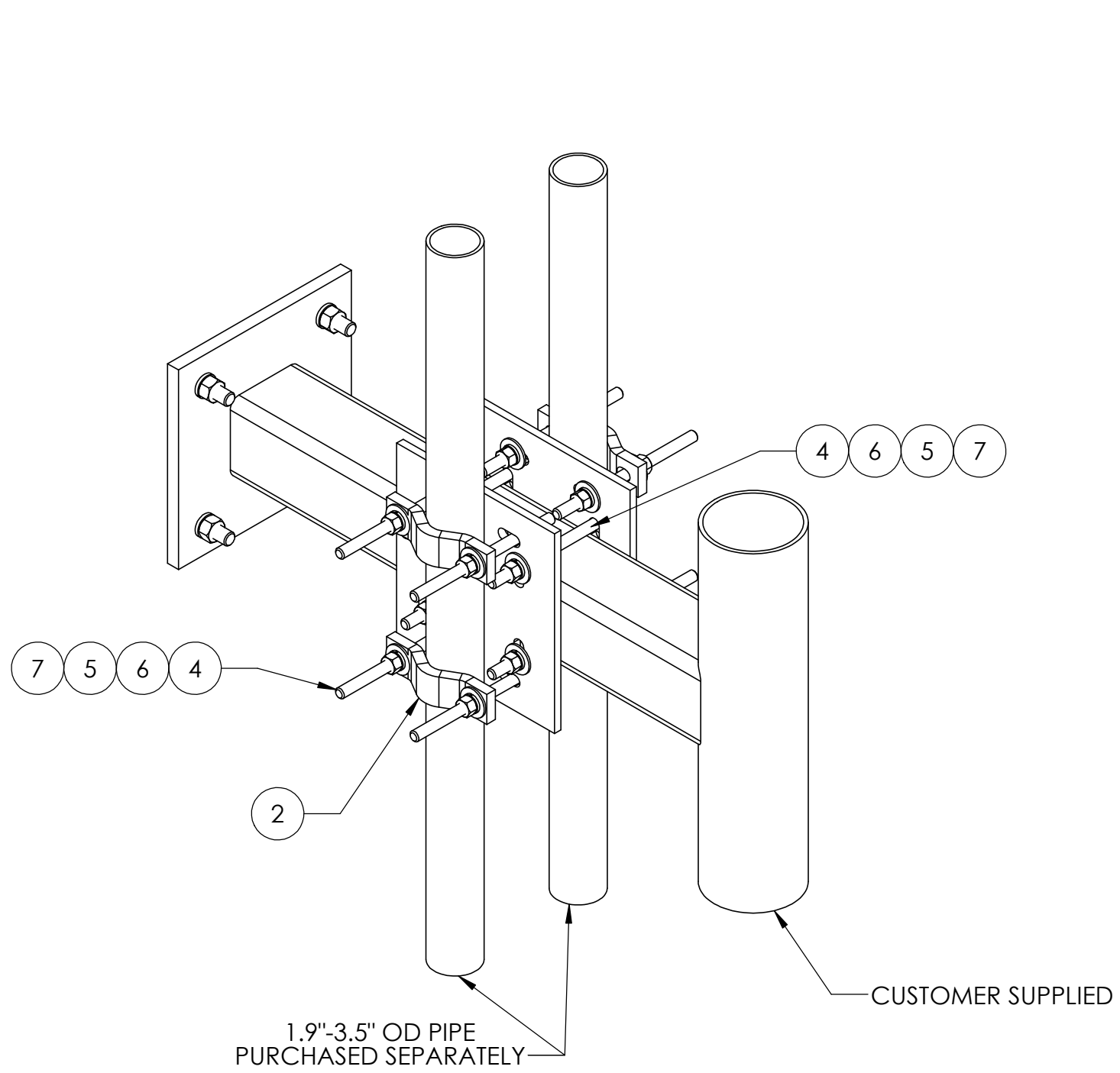
REVISIONS				
REV.	ECN	DESCRIPTION	BY	DATE
A	8000008669	INITIAL RELEASE	ADW	03/27/15



- NOTES:
1. INSERT LOOSE HARDWARE INTO POLYBAGS AS REQUIRED.
 2. CUSTOMER ASSEMBLY SHEET 2.
 3. WILL FIT 3-1/2" ROUND OR UP TO 4" SQUARE TUBE.

These drawings and specifications are the proprietary property of CommScope Inc. and may be used only for the specific purpose authorized in writing by CommScope Inc.			DRAWN BY: ADW	SHEET: 1 of 2	PART NUMBER: XP-197-35UD
ALL DIMENSIONS ARE IN INCHES U.O.S. TOLERANCES UNLESS OTHERWISE SPECIFIED: .X = ± .06 ANGLES ±2° .XX = ± .03 FRACTIONS ±1/32 .XXX = ± .010 REMOVE BURRS AND BREAK EDGES .005 DO NOT SCALE THIS PRINT			CHECKED BY: TP	SCALE: NTS	DESCRIPTION: RRH STANDOFF UNIVERSAL DUAL MOUNT
			DATE: 03/27/15	MATERIAL: A36, A500	DRAWING TYPE: ASSEMBLY DRAWING
			REVISION: A	FINISH: GALV A123	 Hickory, NC 28602 U.S.A.
				WEIGHT: 35.89 LBS	

ITEM	PART NO.	DESCRIPTION	QTY.	WEIGHT	NOTE NO.
1	XP3030.01	CROSSOVER PLATE $\phi 3\text{-}1/2\text{'}$ O.D. TO $\phi 3\text{-}1/2\text{'}$ O.D.	2	9.11 LBS	
2	SCP10	SMALL DISH CLAMP HALF	4	1.20 LBS	
3	GUB-4355	1/2" X 3-5/8" X 5" GALV U-BOLT	4	0.71 LBS	
4	MT-379-8	1/2" X 8" GALV THREADED ROD	12	0.44 LBS	
5	GWL-04	1/2" GALV LOCK WASHER	24	0.01 LBS	
6	GN-04	1/2" GALV HEX NUT	24	0.04 LBS	
7	GWF-04	1/2" GALV FLAT WASHER	24	0.03 LBS	



<p>These drawings and specifications are the proprietary property of CommScope Inc. and may be used only for the specific purpose authorized in writing by CommScope Inc.</p> <p>ALL DIMENSIONS ARE IN INCHES U.O.S. TOLERANCES UNLESS OTHERWISE SPECIFIED:</p> <p>.X = ± .06 ANGLES ±2° .XX = ± .03 FRACTIONS ±1/32 .XXX = ± .010</p> <p>REMOVE BURRS AND BREAK EDGES .005</p> <p>DO NOT SCALE THIS PRINT</p>	DRAWN BY: ADW	SHEET: 2 of 2	PART NUMBER: XP-197-35UD
	CHECKED BY: TP	SCALE: NTS	DESCRIPTION: RRH STANDOFF UNIVERSAL DUAL MOUNT
	DATE: 03/27/15	MATERIAL: A36, A500	DRAWING TYPE: ASSEMBLY DRAWING
	REVISION: A	FINISH: GALV A123	 Hickory, NC 28602 U.S.A.
WEIGHT: 34.03 LBS			