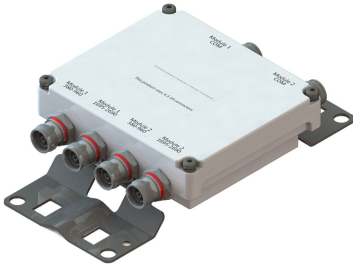


# CBC626T-DL-4310 | E14F55P08

---



## Ultra Compact Twin Diplexer 380-960/1695-2690MHz, DC Low, 4.3-10 connectors

- Ideal for small cell applications
- Compact form factor with reduced size and weight
- Suitable for space limited applications like Metro Cell, Lamp Pole and Concealment Solution
- Industry leading PIM performance
- New 4.3-10 connectors for improved PIM performance and size reduction
- dc/AISG pass-through on low frequency ports
- Twin configuration

## Product Classification

**Product Type** Diplexer

## General Specifications

**Color** Gray

**Common Port Label** Common

**Modularity** 2-Twin

**RF Connector Interface** 4.3-10 Female

**RF Connector Interface Body Style** Long neck

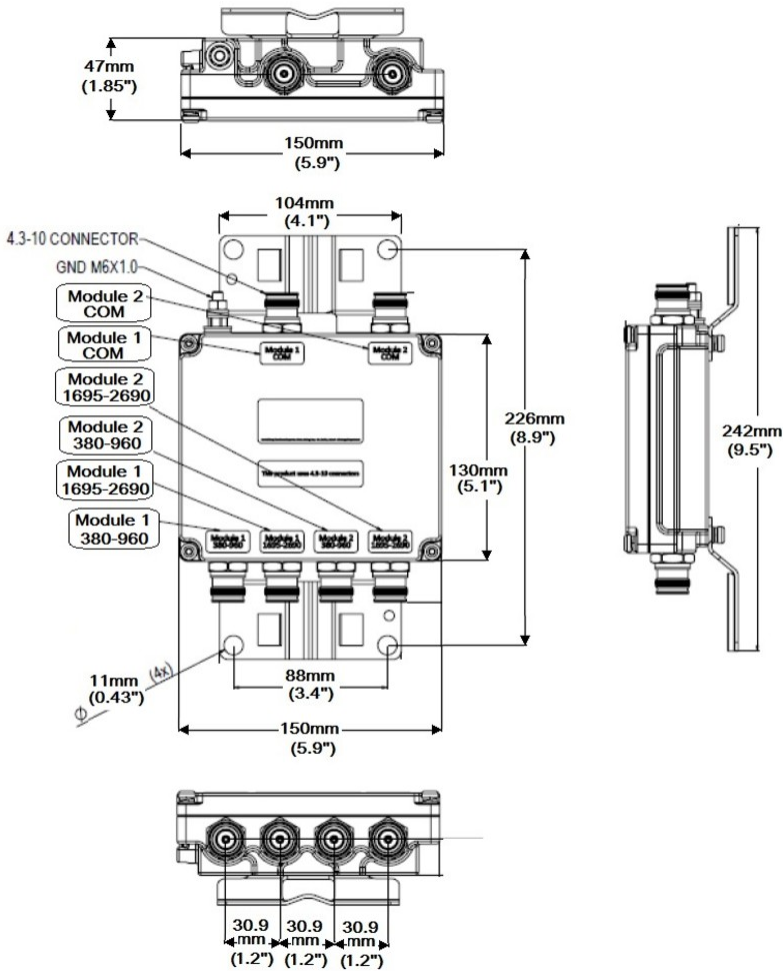
## Dimensions

**Height** 150 mm | 5.906 in

**Width** 130 mm | 5.118 in

**Depth** 47 mm | 1.85 in

## Outline Drawing



## Electrical Specifications

<b>Impedance</b>	50 ohm
<b>License Band, Band Pass</b>	APT 700   AWS 1700   CEL 850   CEL 900   DCS 1800   EDD 800   IMT 2100   IMT 2600   LMR 750   LMR 800   LMR 900   PCS 1900   TDD 1900   TDD 2300   USA 700   USA 750   WCS 2300

## Electrical Specifications, dc Power/Alarm

<b>dc/AISG Pass-through Method</b>	Factory set
<b>dc/AISG Pass-through Path</b>	Branch 1
<b>dc/AISG Pass-through, combiner</b>	Branch 1
<b>dc/AISG Pass-through, demultiplexer</b>	Branch 1

# CBC626T-DL-4310 | E14F55P08

<b>Lightning Surge Current</b>	5 kA
<b>Lightning Surge Current Waveform</b>	8/20 waveform

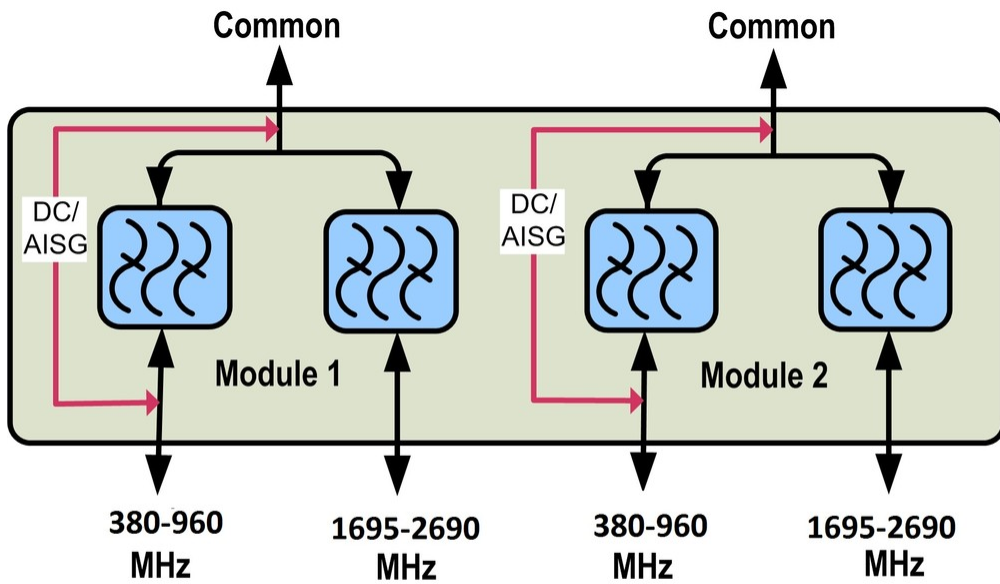
## Electrical Specifications

<b>Sub-module</b>	<b>1   2</b>	<b>1   2</b>
<b>Branch</b>	1	2
<b>Port Designation</b>	Port 380-960	Port 1695-2690
<b>License Band</b>	APT 700, Band Pass CEL 850, Band Pass CEL 900, Band Pass LMR 750, Band Pass LMR 900, Band Pass USA 700, Band Pass USA 750, Band Pass USA 600, Band Pass	AWS 1700, Band Pass DCS 1800, Band Pass IMT 2100, Band Pass IMT 2600, Band Pass PCS 1900, Band Pass TDD 2300, Band Pass WCS 2300, Band Pass

## Electrical Specifications, Band Pass

<b>Frequency Range, MHz</b>	<b>380–960</b>	<b>1695–2690</b>
<b>Insertion Loss, typical, dB</b>	0.25	0.25
<b>Total Group Delay, maximum, ns</b>	5	5
<b>Return Loss, typical, dB</b>	23	23
<b>Isolation, typical, dB</b>	50	50
<b>Input Power, RMS, maximum, W</b>	100	100
<b>Input Power, PEP, maximum, W</b>	1500	1500
<b>3rd Order PIM, typical, dBc</b>	-161	-161
<b>3rd Order PIM Test Method</b>	2 x 20 W CW tones	2 x 20 W CW tones

## Block Diagram



DC/AISG pass-through on low frequency ports  
 DC/AISG blocking on high frequency ports

## Material Specifications

**Finish** Painted

## Environmental Specifications

**Operating Temperature** -40 °C to +65 °C (-40 °F to +149 °F)

**Relative Humidity** Up to 100%

**Corrosion Test Method** IEC 60068-2-11, 30 days

**Ingress Protection Test Method** IEC 60529:2001, IP67

## Packaging and Weights

**Mounting Hardware Weight** 0.3 kg | 0.661 lb

**Weight, without mounting hardware** 1.7 kg | 3.748 lb

## Regulatory Compliance/Certifications

Agency	Classification
CHINA-ROHS	Below maximum concentration value
REACH-SVHC	Compliant as per SVHC revision on <a href="http://www.commscope.com/ProductCompliance">www.commscope.com/ProductCompliance</a>
ROHS	Compliant

