

CY7021-000 | COWO-NN00



COWO Customer Wall Outlet, empty, for holding up to 2 adapters

- Allows easy and unobtrusive termination of fiber optic cables in an office, home or communications room
- Very flat design, mounts on a standard flush mount electrical outlet
- Possibility to invert the adapter in the holder to prevent disconnection when pulling the patch cords

Product Classification

Regional Availability	EMEA
Product Type	Fiber wall outlet
Product Series	COWO

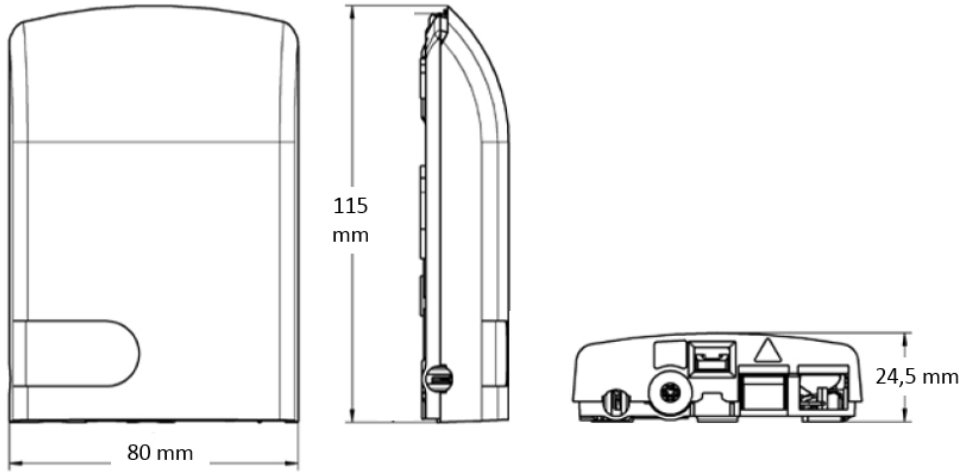
General Specifications

Color	White
Cover Type	Hinged with latches
Interface Type	Unloaded
Lock Type	Lead-wire seal Screw
Mounting	Wall mount
Port Capacity, maximum	4
Splices Included, quantity	0
Total Ports, quantity	0

Dimensions

Height	115.062 mm 4.53 in
Width	80.01 mm 3.15 in
Depth	24.384 mm 0.96 in

Outline Drawing



Material Specifications

Material Type LSZH thermoplastic

Optical Specifications

Fiber Mode Singlemode

Environmental Specifications

Operating Temperature -40 °C to +70 °C (-40 °F to +158 °F)

Environmental Space Indoor

Packaging and Weights

Packaging quantity 1

Regulatory Compliance/Certifications

Agency	Classification
CHINA-ROHS	Below maximum concentration value
REACH-SVHC	Compliant as per SVHC revision on www.commscope.com/ProductCompliance
ROHS	Compliant
UK-ROHS	Compliant



