

CA-DMDM

7-16 DIN Male to 7-16 DIN Male Adapter

Product Classification

Product Type Adapter

General Specifications

Body Style Straight

Inner Contact Plating Silver

Interface 7-16 DIN Male

Interface 2 7-16 DIN Male

Mounting Angle Straight

Outer Contact Plating Trimetal

Pressurizable No

Dimensions

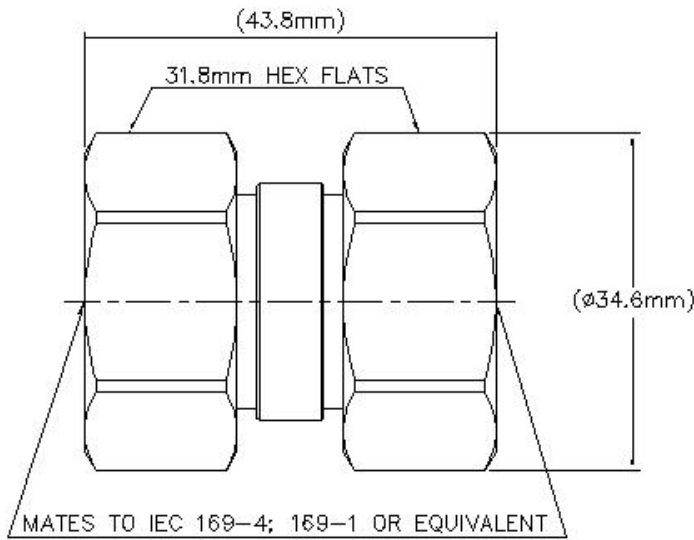
Width 31.75 mm | 1.25 in

Length 43.8 mm | 1.724 in

Diameter 35.92 mm | 1.414 in

Outline Drawing

CA-DMDM



Electrical Specifications

| | |
|---|---------------------|
| Average Power at Frequency | 1,300.0 W @ 900 MHz |
| Connector Impedance | 50 ohm |
| dc Test Voltage | 4000 V |
| Inner Contact Resistance, maximum | 0.4 mOhm |
| Insulation Resistance, minimum | 10000 MOhm |
| Operating Frequency Band | 0 – 6000 MHz |
| Outer Contact Resistance, maximum | 1.5 mOhm |
| Peak Power, maximum | 28.8 kW |
| RF Operating Voltage, maximum (vrms) | 1200 V |

VSWR/Return Loss

| Frequency Band | VSWR | Return Loss (dB) |
|----------------|-------|------------------|
| 0–3000 MHz | 1.032 | 36.06 |
| 3000–6000 MHz | 1.135 | 23.98 |

Mechanical Specifications

| | |
|---|------------------------|
| Coupling Nut Proof Torque | 50 N-m 442.537 in lb |
| Coupling Nut Proof Torque Method | IEC 61169-4:9.3.6 |
| Coupling Nut Retention Force | 800 N 179.847 lbf |

CA-DMDM

| | |
|--|---------------------|
| Coupling Nut Retention Force Method | IEC 61169-16:9.3.11 |
| Insertion Force | 200 N 44.962 lbf |
| Insertion Force Method | IEC 61169-4:15.2.4 |
| Interface Durability | 500 cycles |
| Interface Durability Method | IEC 61169-4:9.5 |
| Mechanical Shock Test Method | IEC 60068-2-27 |

Environmental Specifications

| | |
|---|---------------------------------------|
| Operating Temperature | -55 °C to +85 °C (-67 °F to +185 °F) |
| Storage Temperature | -65 °C to +125 °C (-85 °F to +257 °F) |
| Attenuation, Ambient Temperature | 20 °C 68 °F |
| Average Power, Ambient Temperature | 40 °C 104 °F |
| Average Power, Inner Conductor Temperature | 100 °C 212 °F |
| Climatic Sequence Test Method | IEC 60068-1 |
| Corrosion Test Method | IEC 60068-2-11 |
| Damp Heat Steady State Test Method | IEC 60068-2-3 |
| Immersion Depth | 1 m |
| Immersion Test Mating | Mated |
| Immersion Test Method | IEC 60529:2001, IP68 |
| Thermal Shock Test Method | IEC 60068-2-14 |
| Vibration Test Method | IEC 60068-2-6 |

Packaging and Weights

| | |
|--------------------|---------------------|
| Weight, net | 118.43 g 0.261 lb |
|--------------------|---------------------|

Regulatory Compliance/Certifications

| Agency | Classification |
|---------------|--|
| CHINA-ROHS | Below maximum concentration value |
| ISO 9001:2015 | Designed, manufactured and/or distributed under this quality management system |
| REACH-SVHC | Compliant as per SVHC revision on www.commscope.com/ProductCompliance |
| ROHS | Compliant |
| UK-ROHS | Compliant |

CA-DMDM



* Footnotes

Immersion Depth Immersion at specified depth for 24 hours