



TDUX - Inflatable Duct Seal, size 125

- Flexible and reliable wraparound inflatable sealing system for cables
- Fast and easy to install or remove, even when water is flowing out of the duct
- Independent of duct or cable ovality
- Water and airtight up to 50 kPa (7 psi)
- Environmentally friendly, non-toxic and resistant to chemicals

Product Classification

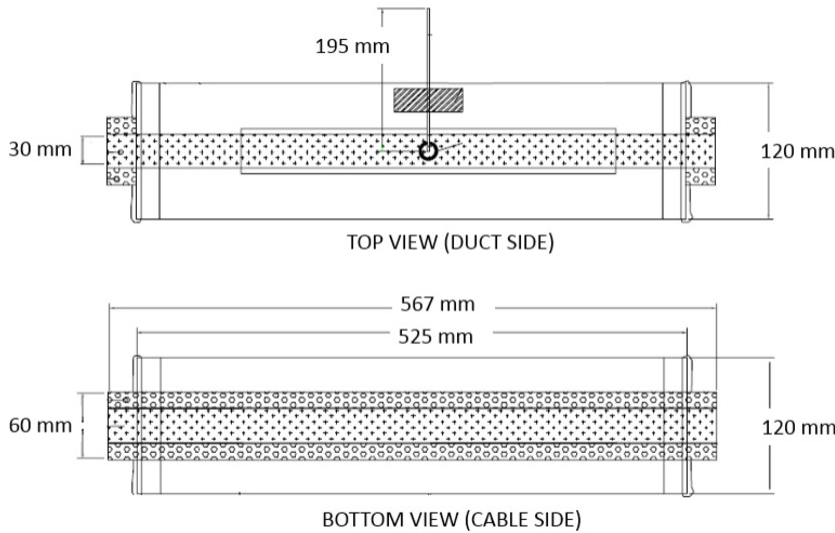
| | |
|------------------------------|----------------------------------------------------------------------------------------------|
| Regional Availability | EMEA |
| Product Type | Cable duct seal |
| Product Series | TDUX |
| Ordering Note | When sealing more than two cables in a duct, separate orderable TDUX-CL clips are to be used |

Dimensions

| | |
|----------------------------------------|--------------------|
| Width | 120 mm 4.724 in |
| Length | 567 mm 22.323 in |
| Cable Diameter, maximum | 103 mm 4.055 in |
| Cable Diameter, minimum | 83 mm 3.268 in |
| Conduit Inner Diameter, maximum | 125 mm 4.921 in |
| Conduit Inner Diameter, minimum | 110 mm 4.331 in |

Dimension Drawing

451696-000 | TDUX-125-INT



Environmental Specifications

Installation temperature -5 °C to +40 °C (+23 °F to +104 °F)

Packaging and Weights

Included Inflatable bladder with sealing mechanism

Packaging quantity 10

Regulatory Compliance/Certifications

| Agency | Classification |
|------------|---------------------------------------------------------------------------------------------------------------------------------|
| CHINA-ROHS | Below maximum concentration value |
| REACH-SVHC | Compliant as per SVHC revision on www.commscope.com/ProductCompliance |
| ROHS | Compliant |
| UK-ROHS | Compliant |

