

# HSR-MHK-Y

---



## Stand-Off Kit for Metal RADIAX® Cable Hangers

### Product Classification

**Product Type** Hardware kit

### General Specifications

**Accessories** Hardware  
**Installation Tool** 8 mm drill bit required for installation  
**Thread Size** M8

### Dimensions

**Maximum Stack Height** 1  
**Hole Size** 50–55 mm deep

### Material Specifications

**Material Type** Stainless steel

### Packaging and Weights

**Height, packed** 279.4 mm | 11 in  
**Width, packed** 71.12 mm | 2.8 in  
**Length, packed** 220.98 mm | 8.7 in  
**Packaging quantity** 50  
**Weight, gross** 4.001 kg | 8.82 lb

### Regulatory Compliance/Certifications

Agency	Classification
CHINA-ROHS	Below maximum concentration value
ISO 9001:2015	Designed, manufactured and/or distributed under this quality management system
REACH-SVHC	Compliant as per SVHC revision on <a href="http://www.commscope.com/ProductCompliance">www.commscope.com/ProductCompliance</a>
ROHS	Compliant

# HSR-MHK-Y

---

UK-ROHS

Compliant



## Included Products

- HSR-ANCHOR-FHS-S - Stainless Steel Socket Cap Screw
- HSR-ANCHOR-S - Stainless Steel Stud Anchor with washer and hex nut
- HSR-ANCHOR-SW-S - Stainless Steel Spring Washer
- HSR-ANCHOR-W-S - Stainless Steel Flat Washer

## \* Footnotes

**Maximum Stack Height** Fiber, Hybrid, Power

# HSR-ANCHOR-FHS-S

---

## Stainless Steel Socket Cap Screw



### Product Classification

**Product Type** Screw

### General Specifications

**Thread Size** M8

### Dimensions

**Length** 16.002 mm | 0.63 in

### Material Specifications

**Material Type** Stainless steel 304

### Packaging and Weights

**Packaging quantity** 1

**Weight, gross** 0.014 kg | 0.03 lb

### Regulatory Compliance/Certifications

Agency	Classification
ISO 9001:2015	Designed, manufactured and/or distributed under this quality management system

# HSR-ANCHOR-S

---



Stainless Steel Stud Anchor with washer and hex nut

## Product Classification

**Product Type** Hardware kit

## General Specifications

**Installation Tool** 8 mm drill bit required for installation

**Thread Size** M8

## Dimensions

**Length** 74.93 mm | 2.95 in

**Hole Size** 50–55 mm deep

## Material Specifications

**Material Type** Stainless steel 304

## Packaging and Weights

**Packaging quantity** 1

**Weight, gross** 0.032 kg | 0.07 lb

## Regulatory Compliance/Certifications

Agency	Classification
ISO 9001:2015	Designed, manufactured and/or distributed under this quality management system

# HSR-ANCHOR-SW-S

---



Stainless Steel Spring Washer

## Product Classification

**Product Type** Washer

## Dimensions

**Height** 2.032 mm | 0.08 in

**Width** 12.446 mm | 0.49 in

## Material Specifications

**Material Type** Stainless steel 304

## Packaging and Weights

**Packaging quantity** 1

**Weight, gross** 0 kg | 0 lb

## Regulatory Compliance/Certifications

**Agency**

ISO 9001:2015

**Classification**

Designed, manufactured and/or distributed under this quality management system

# HSR-ANCHOR-W-S

---



Stainless Steel Flat Washer

## Product Classification

**Product Type** Washer

## Dimensions

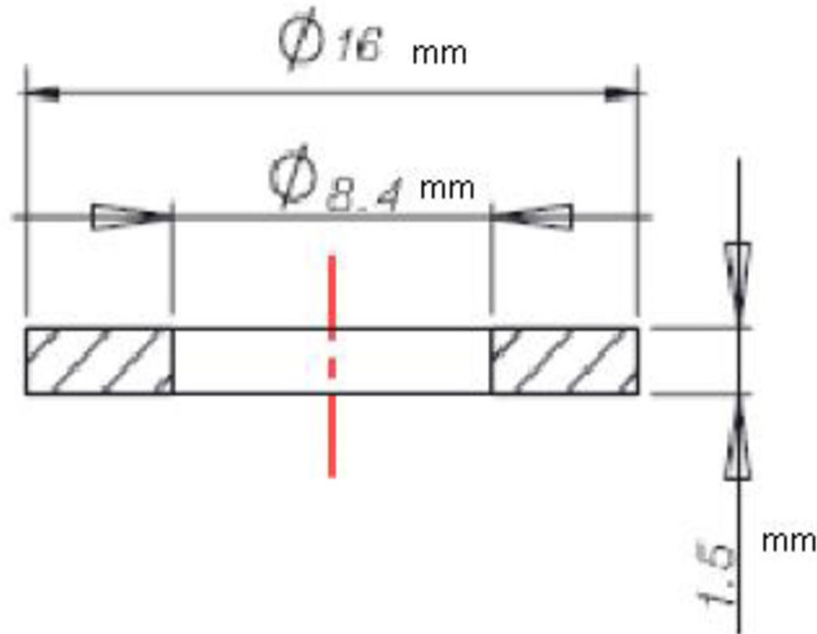
**Height** 1.524 mm | 0.06 in

**Width** 16.002 mm | 0.63 in

## Outline Drawing

# HSR-ANCHOR-W-S

---



## Material Specifications

**Material Type** Stainless steel 304

## Packaging and Weights

**Packaging quantity** 1

**Weight, gross** 0 kg | 0 lb

## Regulatory Compliance/Certifications

**Agency**

ISO 9001:2015

**Classification**

Designed, manufactured and/or distributed under this quality management system