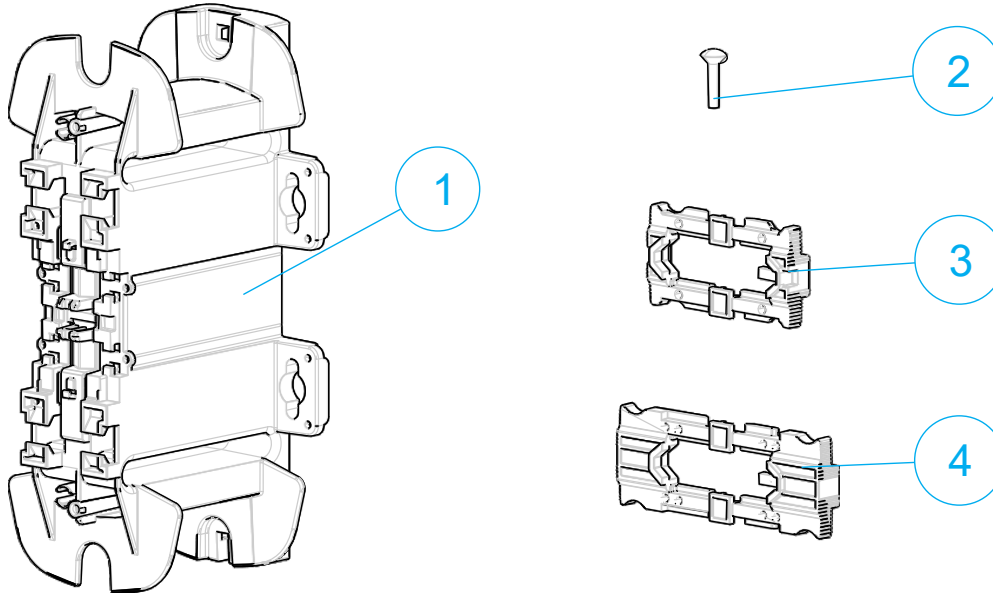


NOVUX™ Fiber Optic System Cable Mounting Bracket

1 Kit content



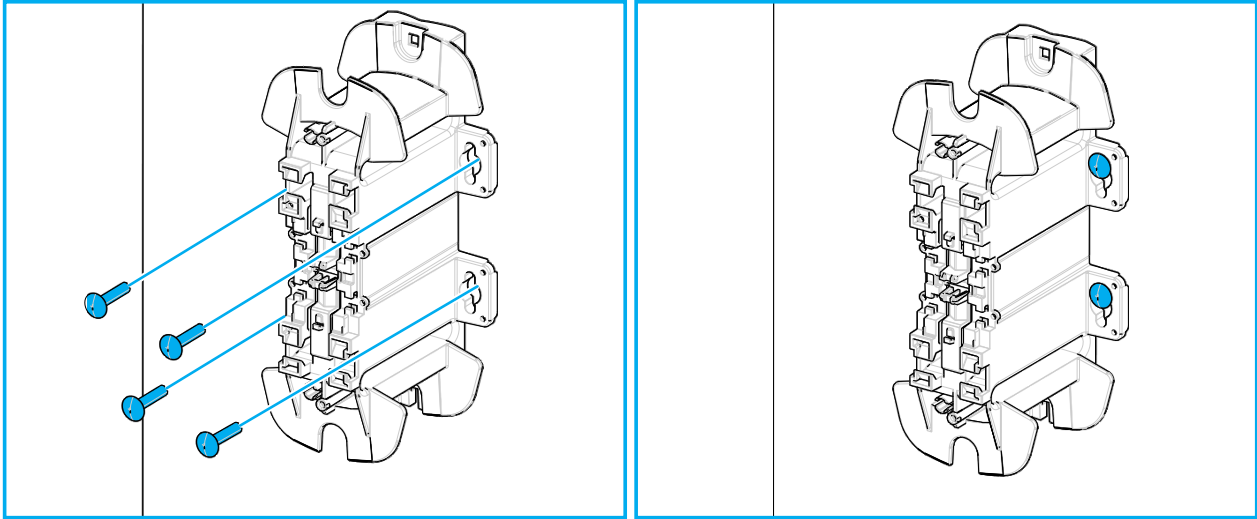
N°	Description	Qty
1	Cable Mounting Bracket (CMB)	1
2	Screw M3.5X25	2
3	Small size handle	1
4	Medium size handle	1


Contents

1 Kit content.....	1	3.2 Install products with the UMB interface backplate.....	5
2 Mounting options.....	3	3.3 Un-install products with the UMB interface backplate.....	5
2.1 Mounting the CMB on a flat surface.....	3	4 Mounting products whitout the UMB backplate interface.....	6
2.2 Mounting the CMB on a pole with screws.....	3	4.1 Install products whitout the UMB interface backplate.....	6
2.3 Mounting the CMB on a pole with straps.....	4	5 The CMB and cable storage.....	7
3 Mounting products with the UMB interface backplate.....	4	5.1 Secure the overlength cable to the CMB.....	7
3.1 Install the handle on the CMB.....	4	5.2 Cable storage capacity on the CMB.....	7

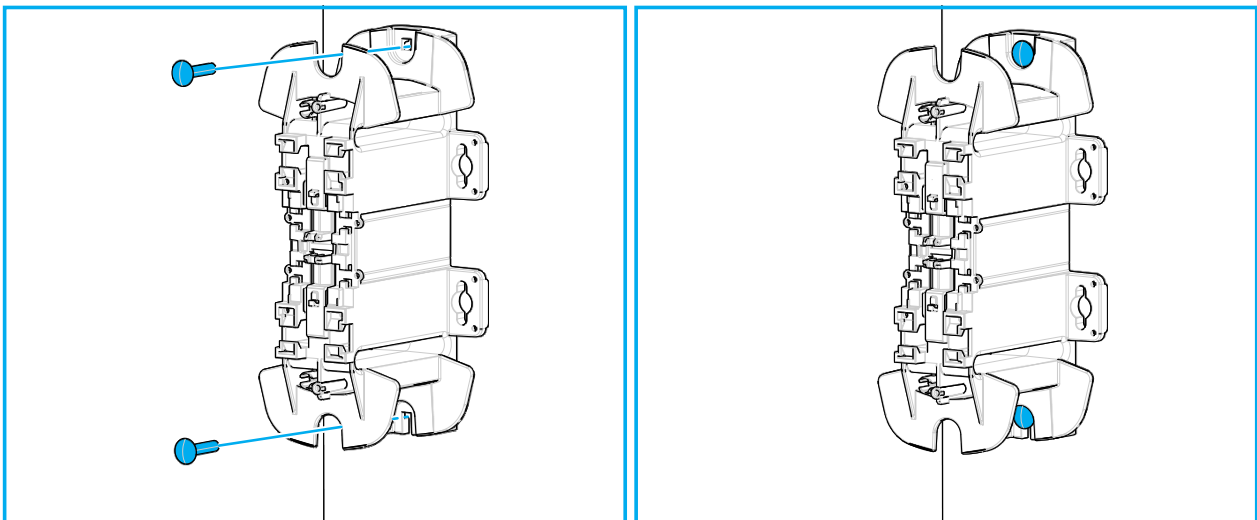
2 Mounting options


2.1 Mounting the CMB on a flat surface



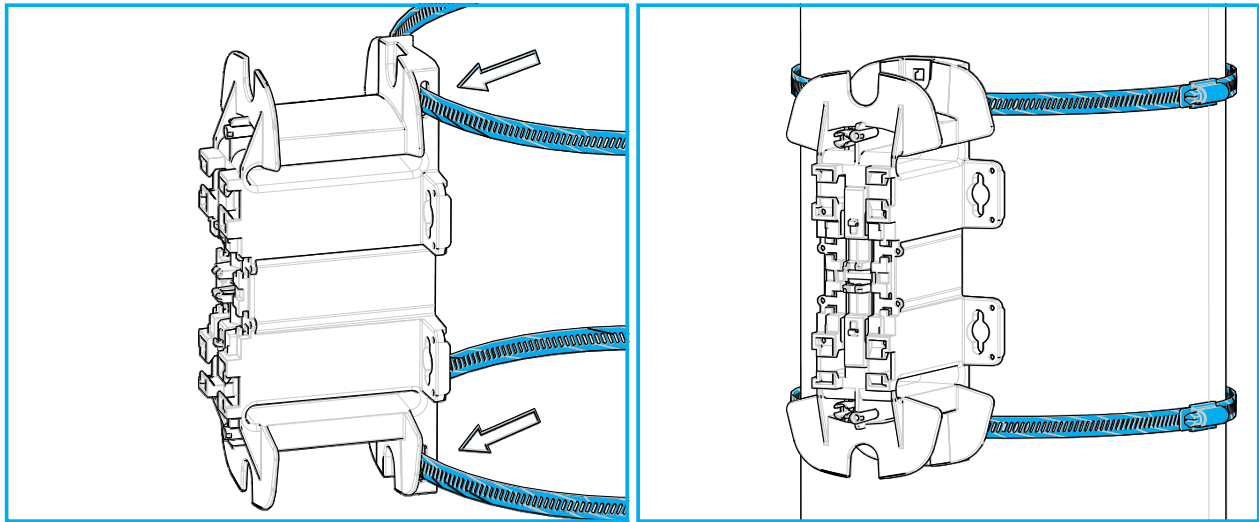
 **Note:** Mounting hardware (screws) not included.

2.2 Mounting the CMB on a pole with screws



 **Note:** Mounting hardware (screws) not included.

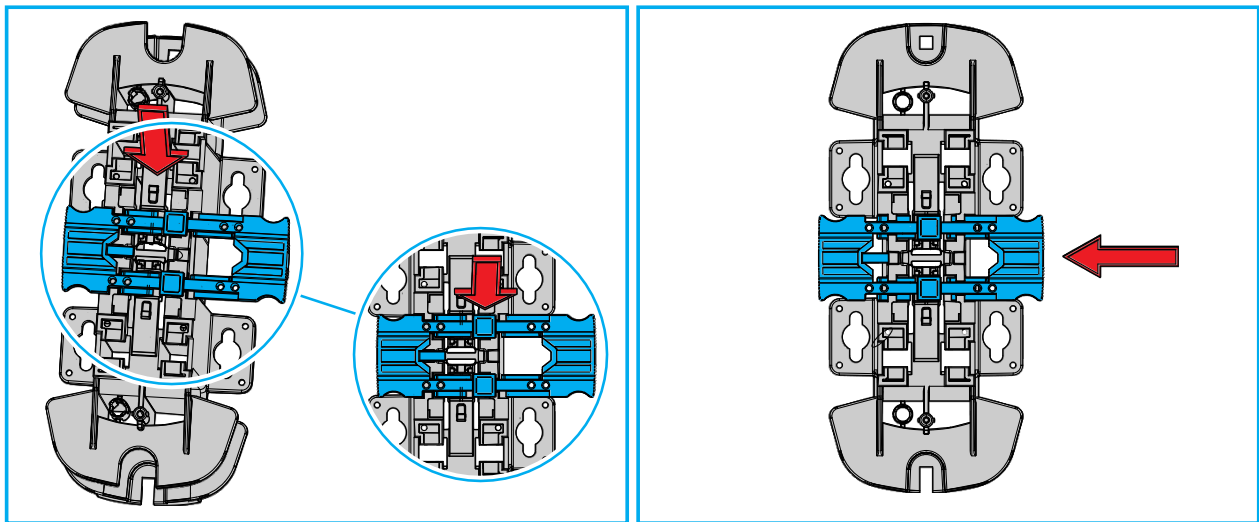
2.3 Mounting the CMB on a pole with straps



 **Note:** Mounting hardware (straps) not included.

3 Mounting products with the UMB interface backplate

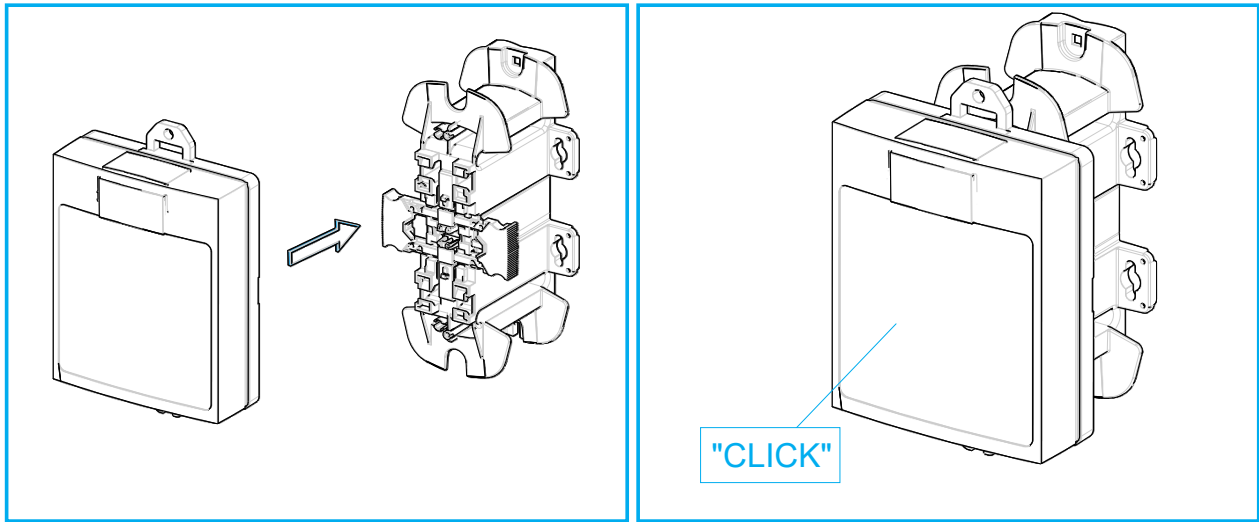
3.1 Install the handle on the CMB



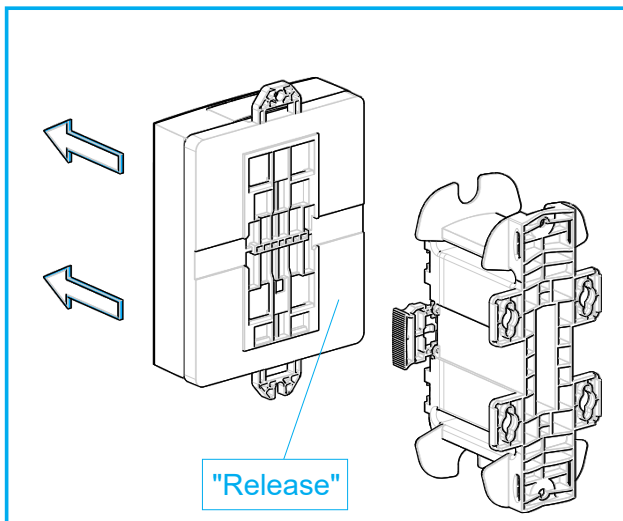
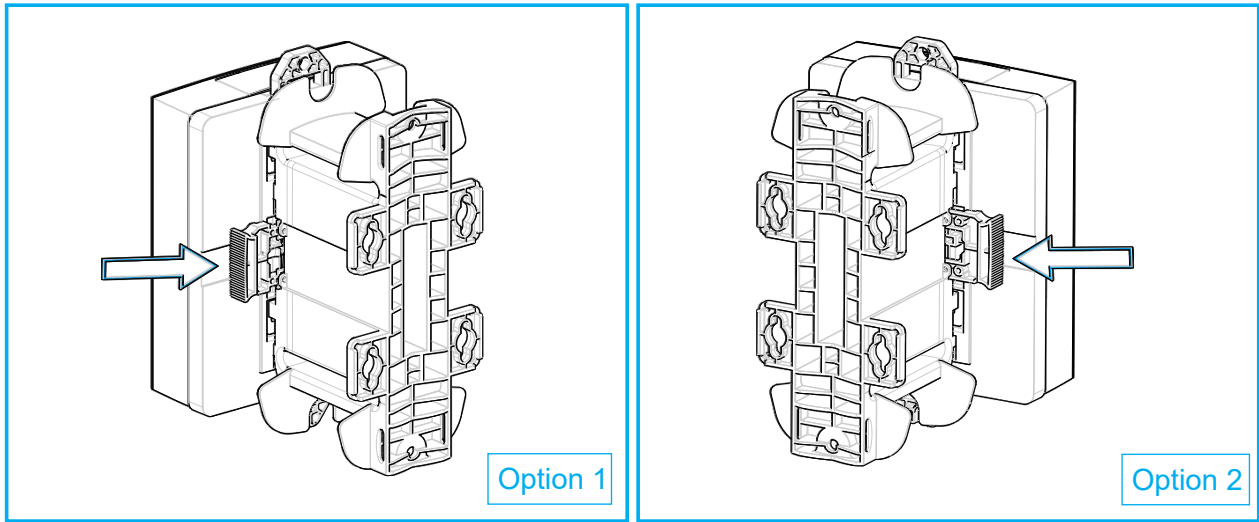
- 1 Place the handle in the position as shown in the image and push down.
- 2 Push the handle to the left. The handle is now installed and can be moved easily to both sides.

PRODUCT SIZE	SMALL Handle	MEDIUM Handle
Product size width < 10 cm (3.93 inches)	•	
Product size width > 10 cm (3.93 inches)		•

3.2 Install products with the UMB interface backplate

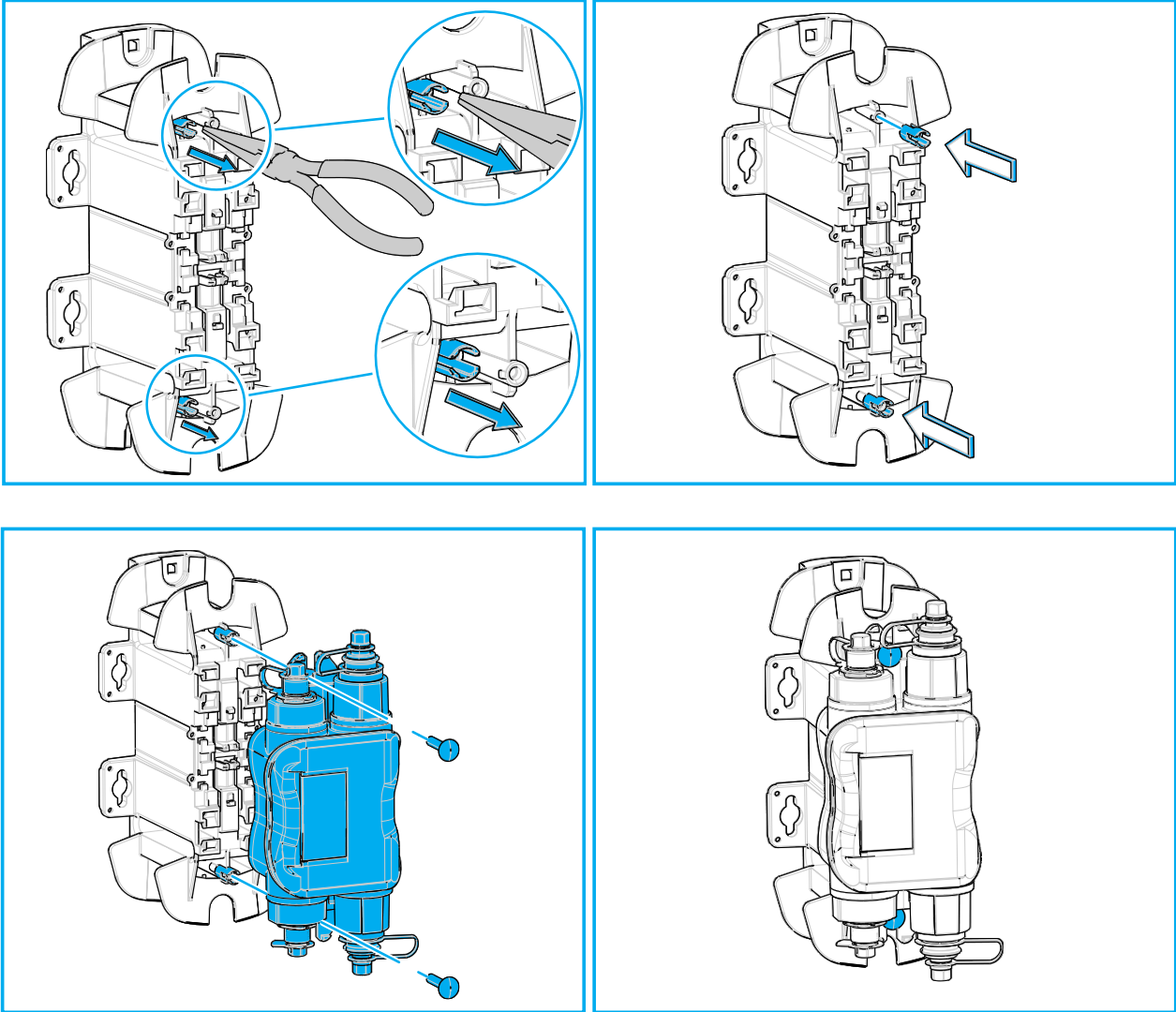


3.3 Un-install products with the UMB interface backplate



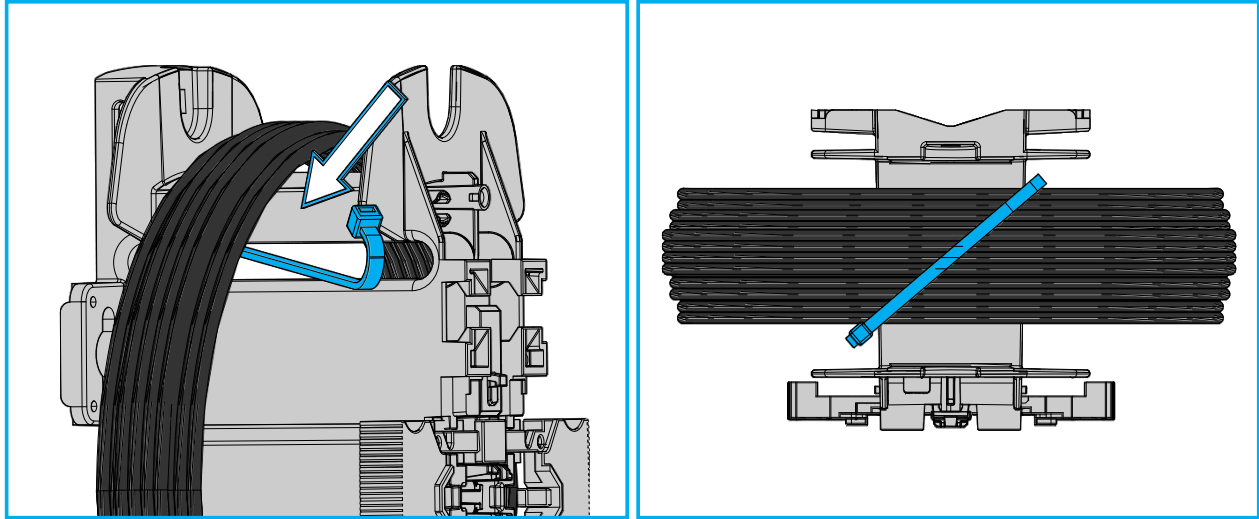
4 Mounting products without the UMB backplate interface


4.1 Install products without the UMB interface backplate



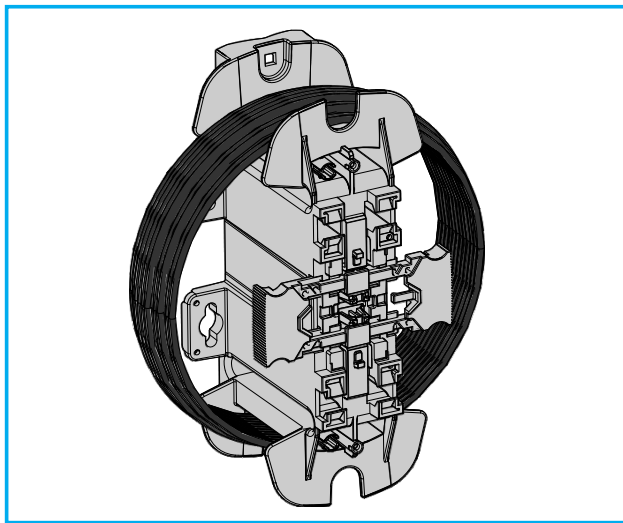
5 The CMB and cable storage


5.1 Secure the overlength cable to the CMB



 **Note:** Mounting hardware (straps) not included.

5.2 Cable storage capacity on the CMB



 **Note:** The minimum reel diameter is 17,5 cm (6,9 inch).

Cable diameter	Capacity
3,5 mm (0,14 inch)	90 m (295 ft)
5 mm (0,20 inch)	50 m (164 ft)
8 mm (0,31 inch)	18 m (59 ft)