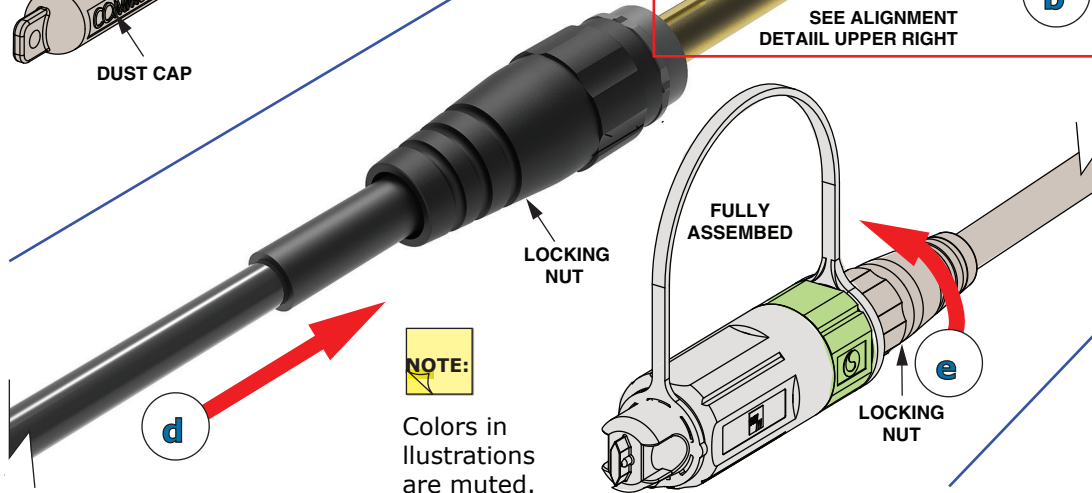
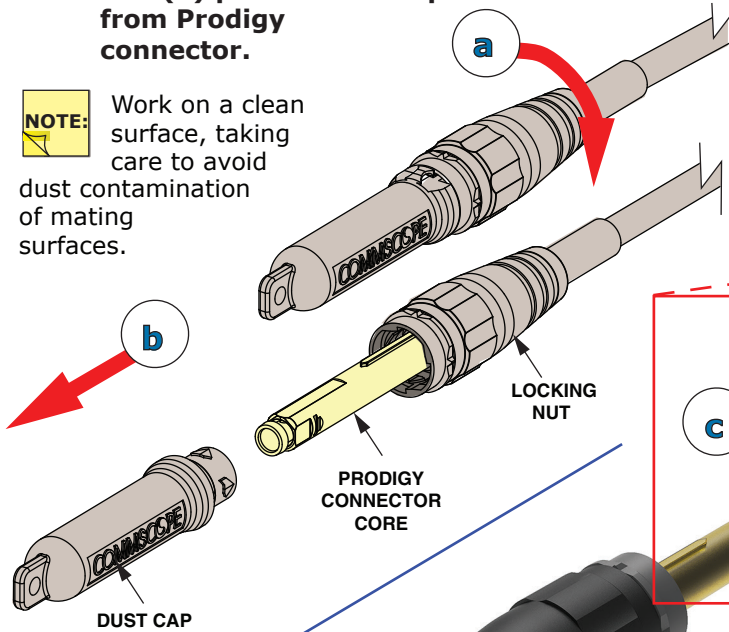


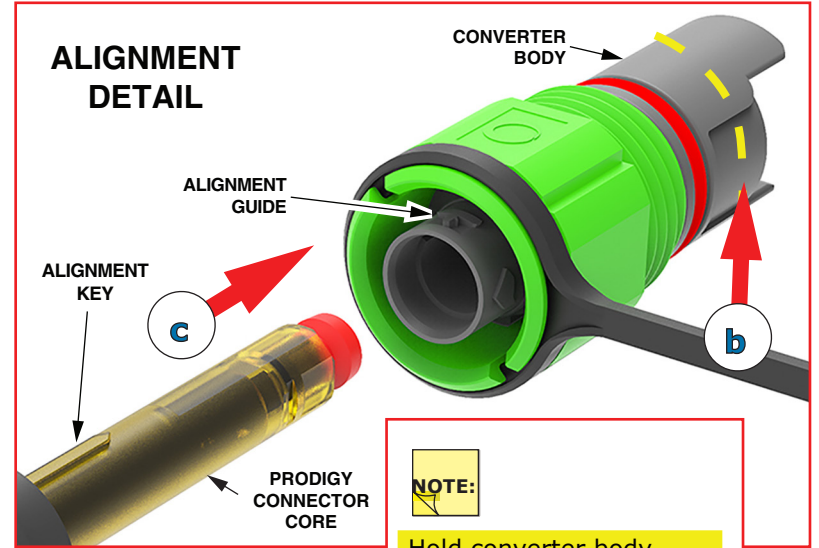
### Installing Full-Size Converter on Prodigy™ Connector

**1** Remove dust cap as follows: (a) Rotate locking nut 45 degrees in direction shown to remove dust cap stop, and (b) pull off dust cap from Prodigy connector.

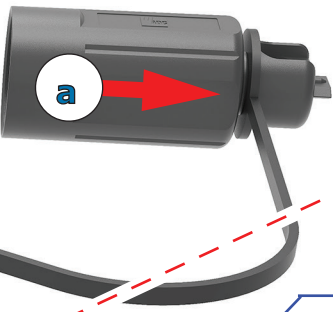
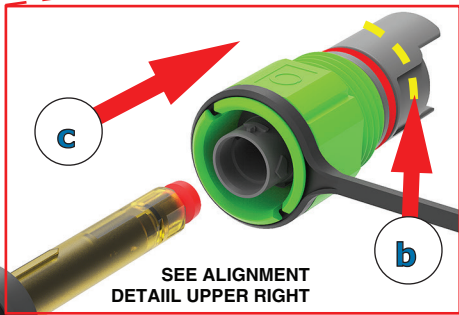
**NOTE:** Work on a clean surface, taking care to avoid dust contamination of mating surfaces.



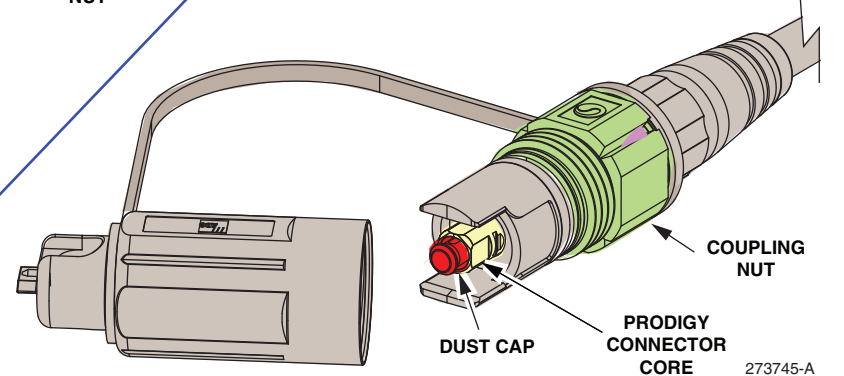
**2** Install full-size converter: (a) remove converter dust cap, (b) hold onto full-size converter body to keep it from turning, (c) align alignment key on Prodigy connector core with alignment guide in converter body (see detail), (d) insert connector core all the way in. Turn locking nut 45 degrees in direction shown until it locks into position (e).



**NOTE:** Hold converter body stationary while inserting connector core into rear opening of converter, as directed in step 2(c). Align Prodigy connector using alignment key and alignment guide as shown in ALIGNMENT DETAIL above.

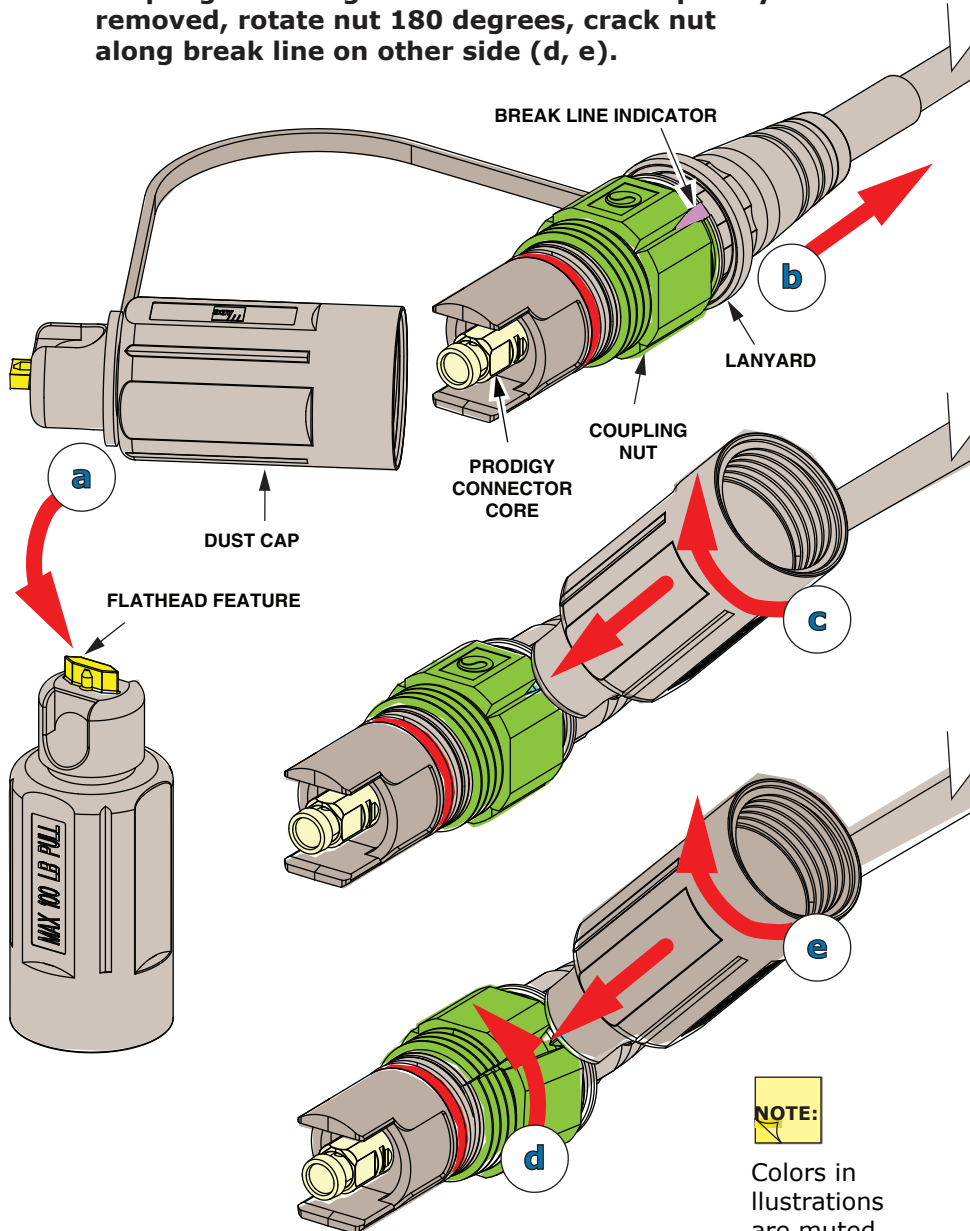


**3** Prior to installing Prodigy connector into adapter, remove ferrule dust cap, shown below.



## Removing Full-Size Converter from Prodigy™ Connector

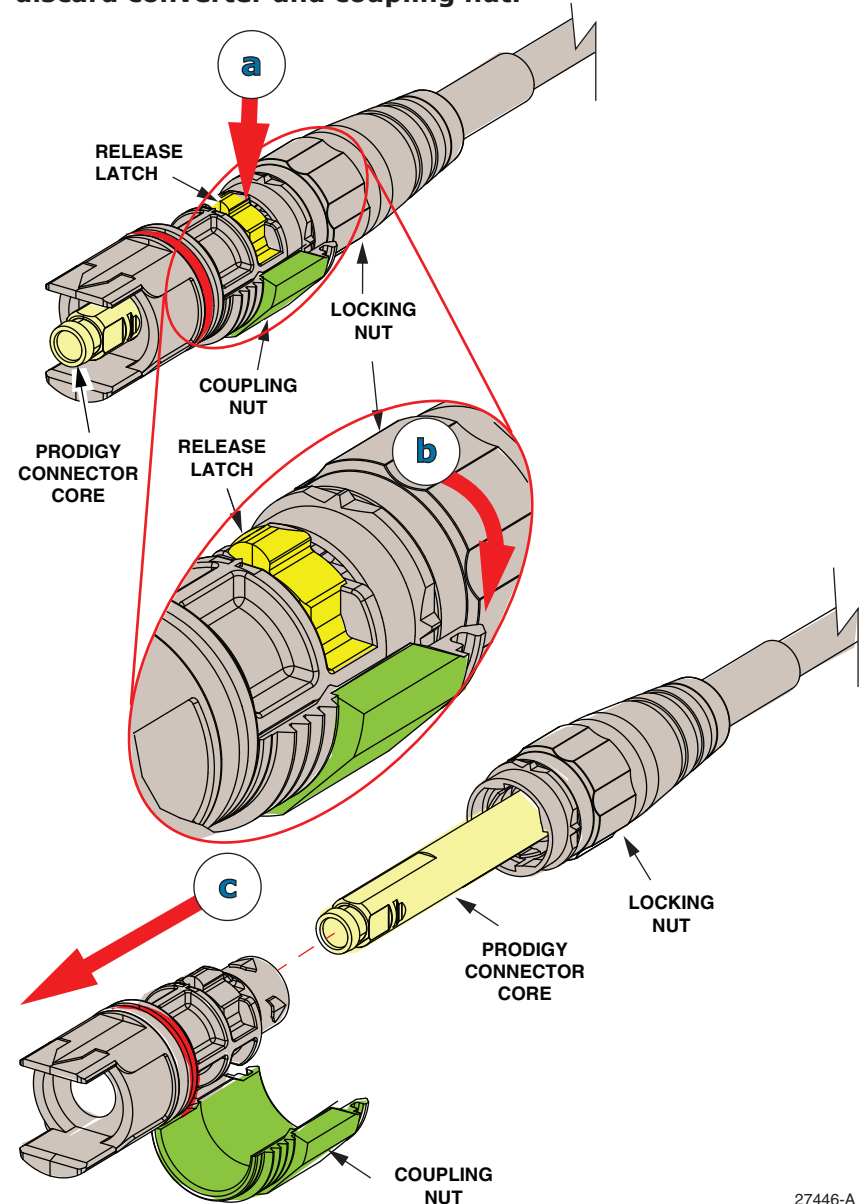
- 1** Remove coupling nut as follows: (a) remove dust cap, (b) pull back lanyard to reveal alignment mark, (c) insert and twist dustcap flathead feature to crack coupling nut along break line. If not completely removed, rotate nut 180 degrees, crack nut along break line on other side (d, e).



**NOTE:**

Colors in illustrations are muted.

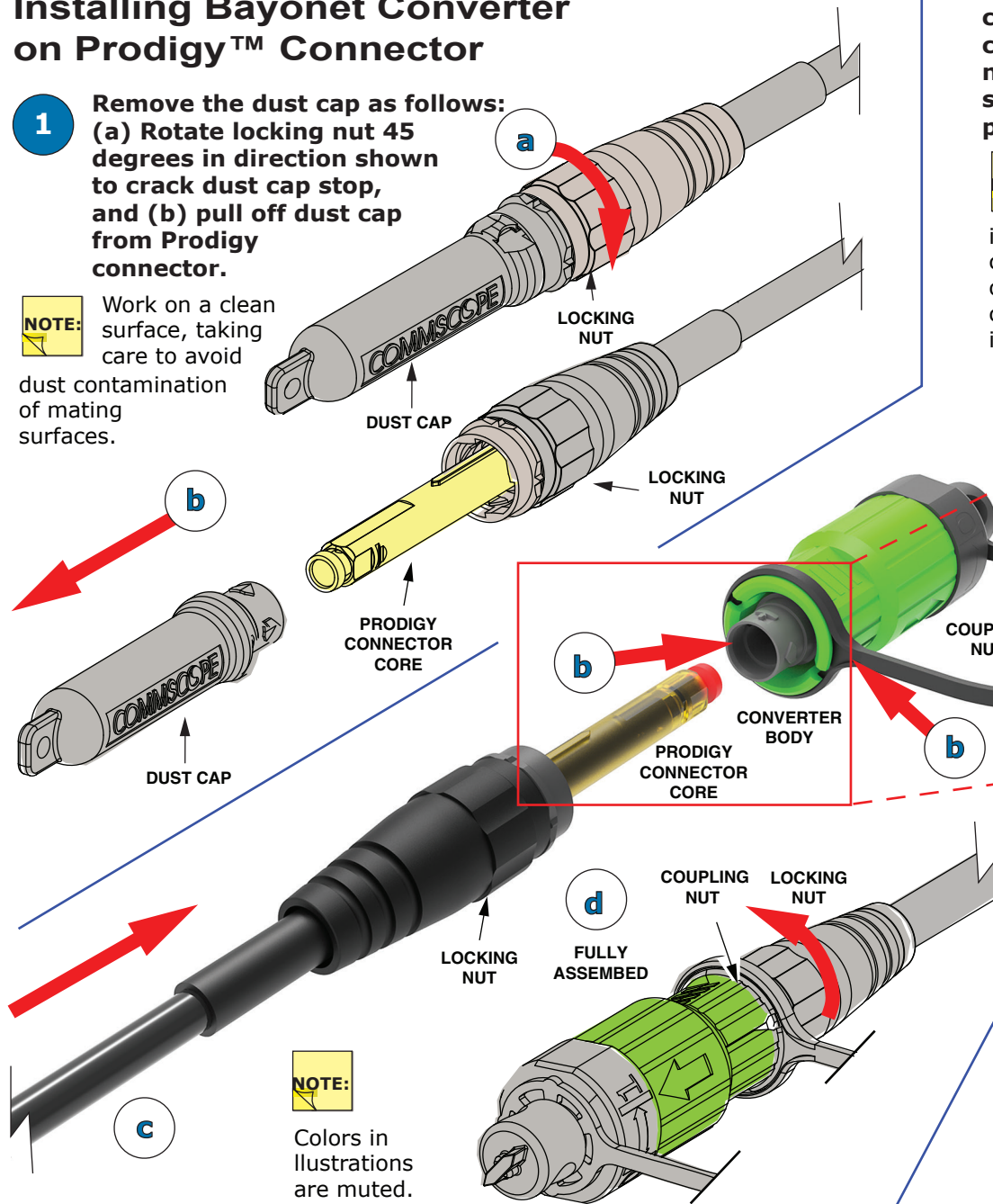
- 2** Remove the converter from the Prodigy connector core as follows: (a) Press latch down on converter; (b) twist locking nut in indicated direction to unlock converter; (c) pull off converter from Prodigy connector core; discard converter and coupling nut.



## Installing Bayonet Converter on Prodigy™ Connector

- 1** Remove the dust cap as follows: (a) Rotate locking nut 45 degrees in direction shown to crack dust cap stop, and (b) pull off dust cap from Prodigy connector.

**NOTE:** Work on a clean surface, taking care to avoid dust contamination of mating surfaces.

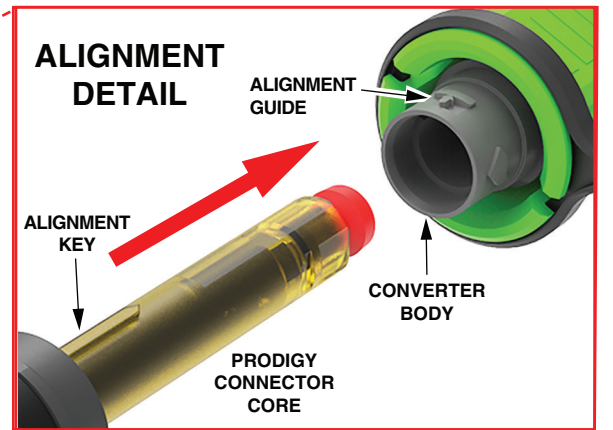
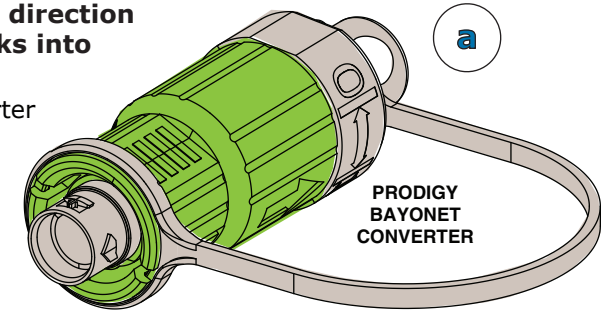


**NOTE:** Colors in illustrations are muted.

**2**

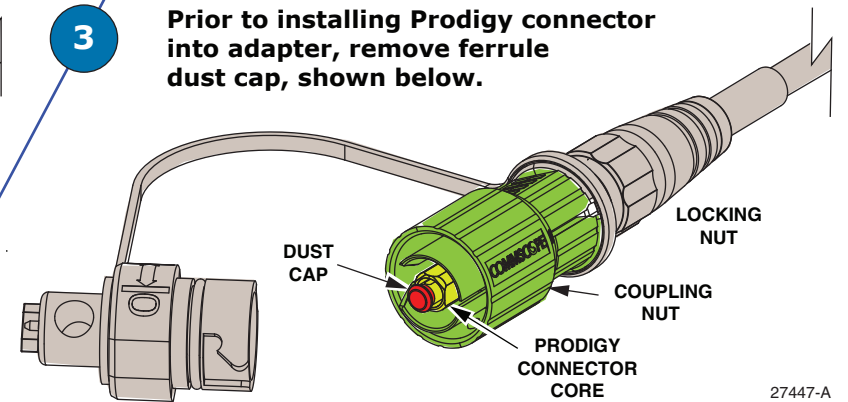
Install the converter as follows: (a) Locate Prodigy bayonet converter, (b) hold onto converter body, (c) align alignment key on Prodigy connector core with alignment guide in converter body (see detail below). (d) insert connector core all the way in. Turn coupling nut 45 degrees in direction shown until it locks into position.

**NOTE:** Hold converter stationary while inserting connector core into rear opening of converter as indicated in (c).



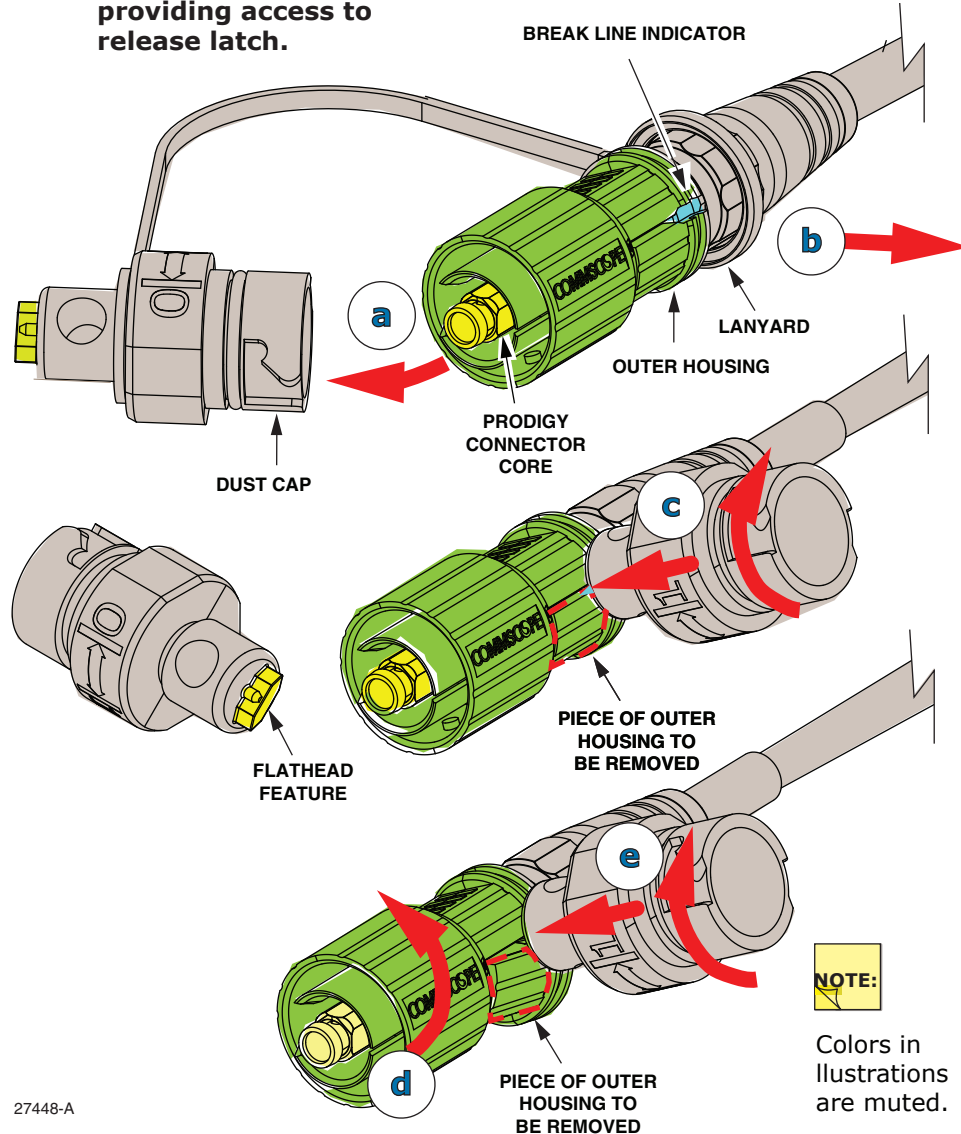
**3**

Prior to installing Prodigy connector into adapter, remove ferrule dust cap, shown below.



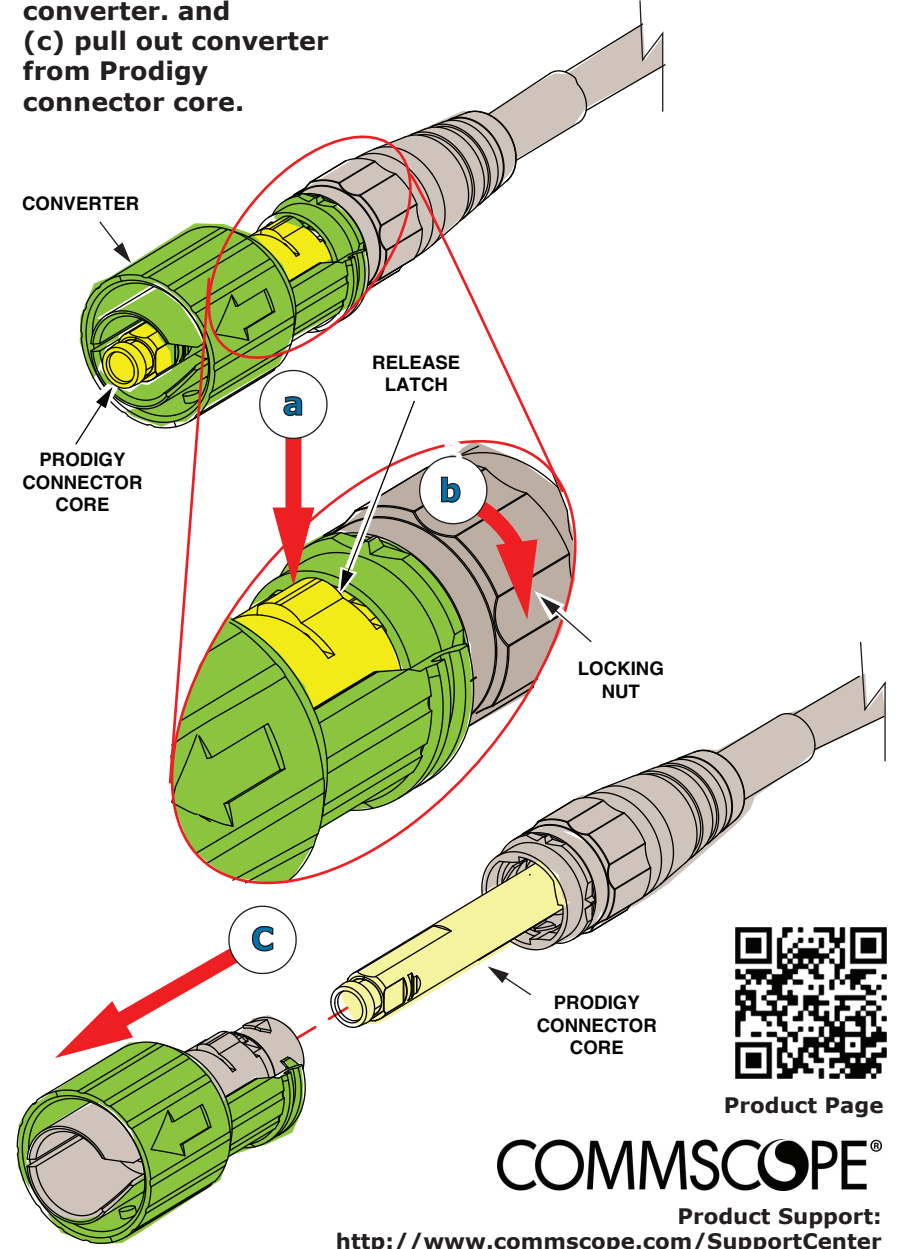
## Removing Bayonet Converter from Prodigy™ Connector

- 1** Remove outer housing above release latch as follows: (a) remove dust cap, (b) pull back lanyard to reveal alignment mark, (c) insert and twist dustcap flathead feature to crack outer housing along break line; remove piece of outer housing providing access to release latch. If outer housing is not completely removed, rotate housing 180 degrees; crack open along break line on other side (d, e); remove piece of outer housing providing access to release latch.



**NOTE:**  
Colors in illustrations are muted.

- 2** Remove converter from Prodigy connector core as follows: (a) Press down release latch on converter, (b) twist locking nut in direction shown to unlock converter, and (c) pull out converter from Prodigy connector core.



Product Page

**COMMSCOPE®**

Product Support:  
<http://www.commscope.com/SupportCenter>