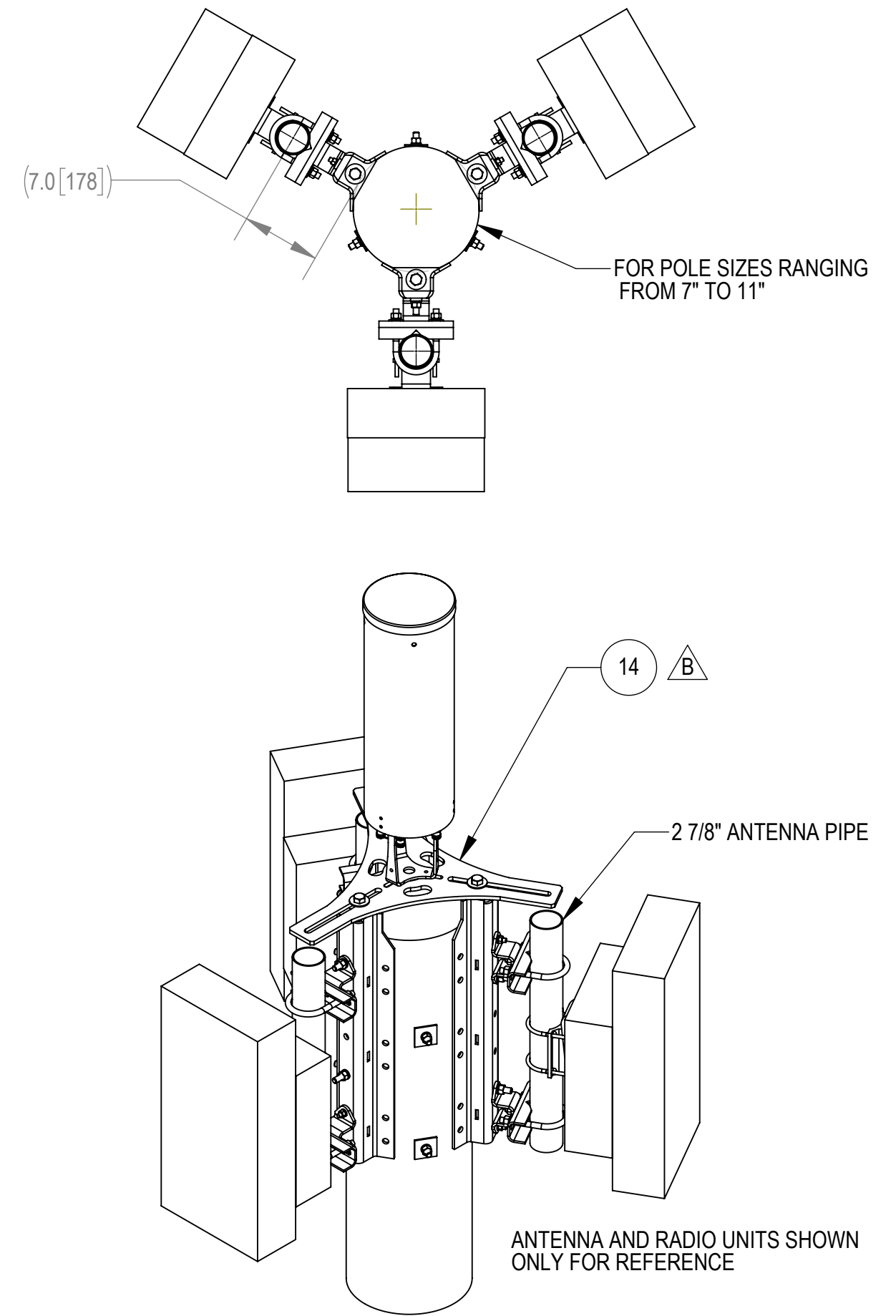
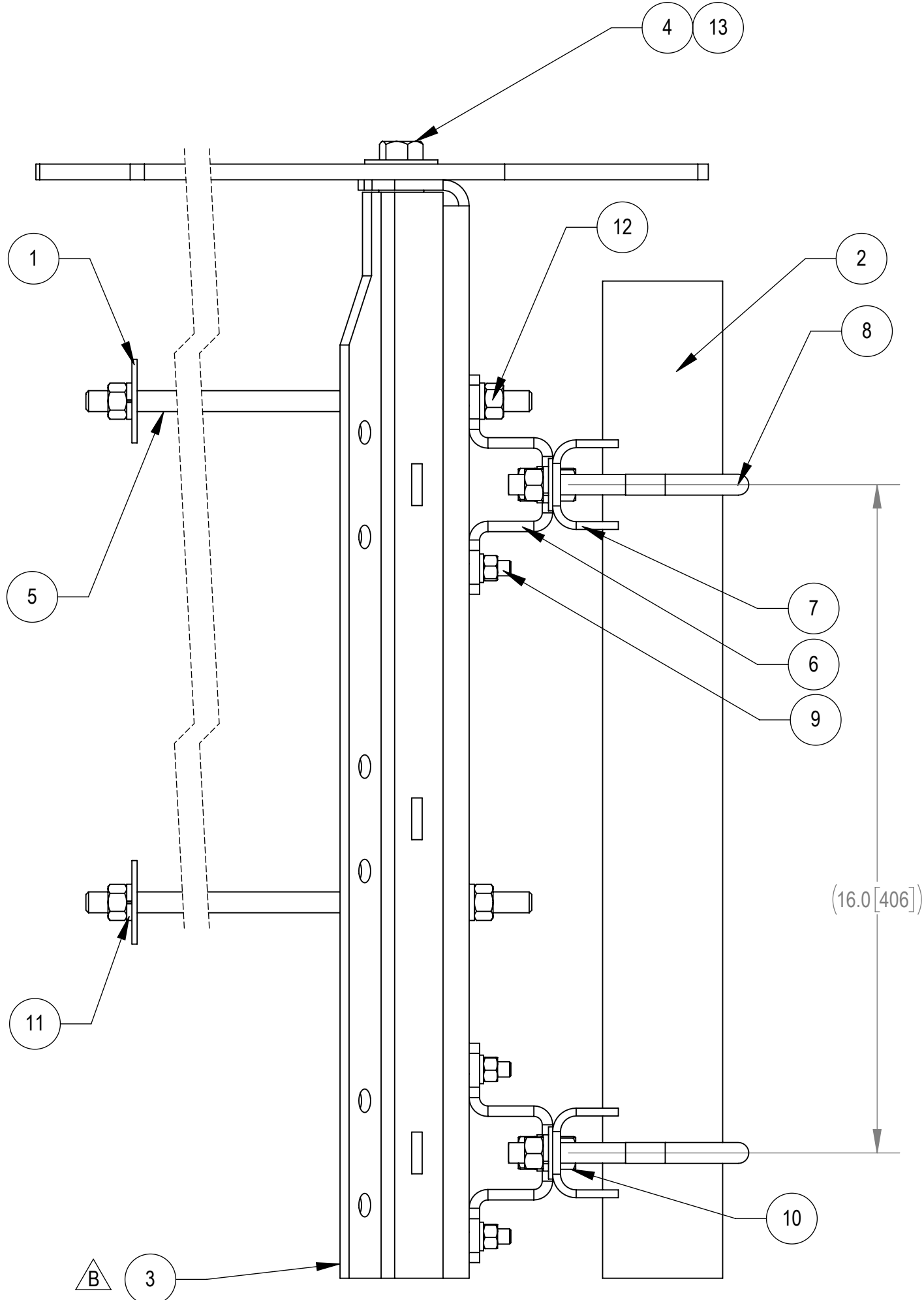
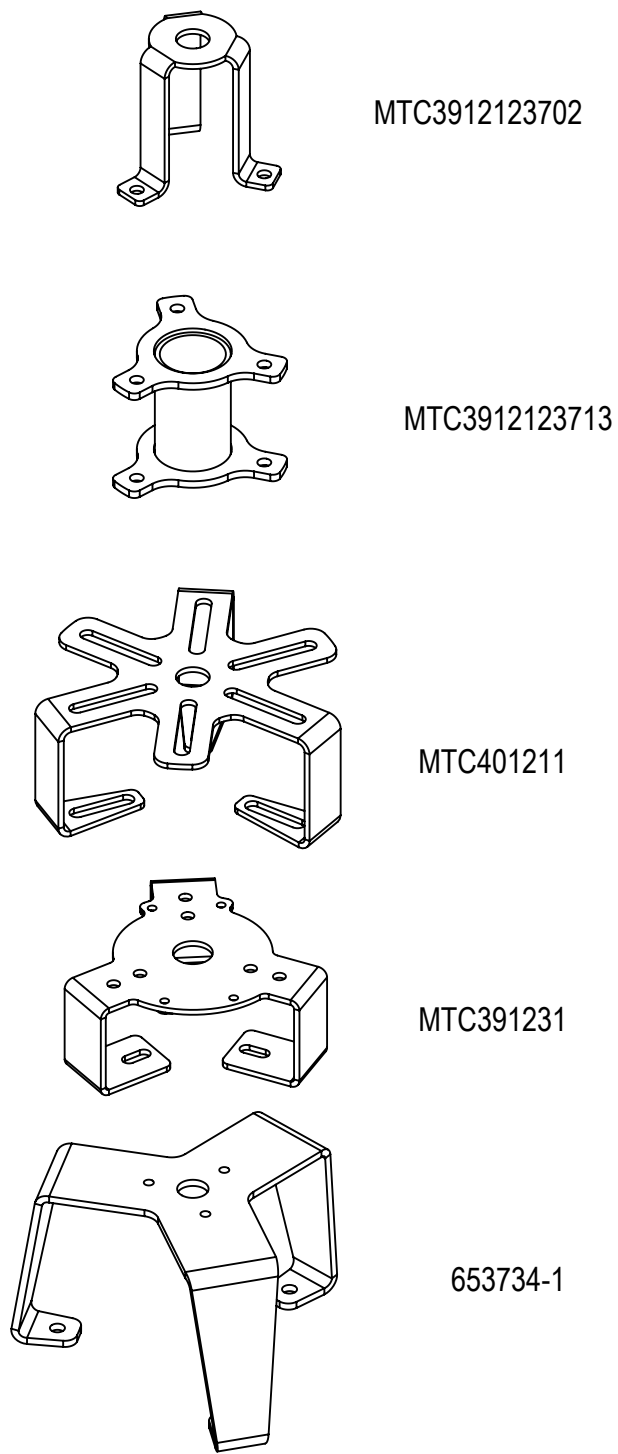


NOTES:

- 1.0 GENERAL
 - 1.1 ALL METRIC DIMENSIONS ARE IN BRACKETS
 - 1.2 FOR PATENTS, SEE WWW.CS-PAT.COM
- 2.0 DESIGN NOTES
- 3.0 MANUFACTURING/SPECIAL REQUIREMENTS
- 4.0 TEST
- 5.0 PACKAGING

| REVISIONS | | | | |
|-----------|------------|--------------------------------|--------|----------|
| REV. | ECN | DESCRIPTION | BY | DATE |
| A | 8000035677 | INITIAL RELEASE | ES1081 | 09/21/19 |
| B | 8000040980 | UPDATED TOP PLATE AND MAIN LEG | ES1081 | 05/22/20 |

COMPATIBLE BUT NOT INCLUDED:



| ITEM | PART NO. | DESCRIPTION | QTY. | WEIGHT |
|------|-----------------|--|------|-----------|
| 1 | SW-12 | BACKING PLATE, .125" X 2" X 2" W/ 9/16" HOLE | 6 | 0.13 LBS |
| 2 | MTC4072-0410-00 | PIPE LENGTH 23.88 X 2.875 X .120 | 3 | 6.99 LBS |
| 3 | MTC4072-0211-00 | WOOD POLE MOUNTING LEG .6875 | 3 | 17.58 |
| 4 | GB-05205 | 5/8" X 2" GALV BOLT KIT | 3 | 0.26 LBS |
| 5 | MT37916 | 1/2" X 16" GALV THREADED ROD | 6 | 0.88 LBS |
| 6 | MTC4072-0240-00 | CLAMP MOUNT BRACKET | 6 | 1.13 |
| 7 | SAB01 | FORMED CLAMP | 6 | 1.35 LBS |
| 8 | GUB-4352 | 1/2" X 3" X 5-1/4" GALV U-BOLT | 6 | 0.71 LBS |
| 9 | GB-03125 | 3/8" X 1-1/4" GALV BOLT KIT | 8 | 0.06 LBS |
| 10 | GB-04125 | 1/2" X 1-1/4" GALV BOLT KIT | 6 | 0.12 LBS |
| 11 | GWL-04 | 1/2" GALV LOCK WASHER | 12 | 0.01 LBS |
| 12 | GN-04 | 1/2" GALV HEX NUT | 12 | 0.04 LBS |
| 13 | GWV-05 | 5/8" GALV FLAT WASHER | 3 | 0.06 LBS |
| 14 | MTC4099 | TOP PLATE, SMALL CELL WOOD POLE | 1 | 13.55 LBS |

| | | |
|--------------|----------|---------------------|
| DENSITY | 0.01 | lbs/in ³ |
| MASS | 128.20 | lbs |
| VOLUME | 10531.09 | in ³ |
| SURFACE AREA | | in ² |
| HEIGHT | 7 | |
| LENGTH | 12 | |
| WIDTH | 26 | |

COMMSCOPE, INC. OF NORTH CAROLINA

| | | | | | | | | |
|--|---------------------|---------------------------|-------------------|-------------------------------|---------|--------|----------|--------|
| TOLERANCES | | SAP MATERIAL MASTER | | | | | | |
| 1 PLACE .X ± .25 | 3 PLACE .XXX ± 0.06 | SCPTW26-5GT | | | | | | |
| 2 PLACE .XX ± 0.12 | ANGLES ± 2° | | | | | | | |
| FINISH GALV A123 | | MATERIAL SEE BOM TABLE | | | | | | |
| <small>UNLESS OTHERWISE SPECIFIED DIMENSIONS ARE IN INCHES INTERPRET PER ANSI Y 14.5M-1994</small> | | NAME | DATE | SMALL CELL WRAP AROUND | | | | |
| | | CE | ES1081 05/22/20 | | | | | |
| | | RW | ES1081 07/17/2020 | | | | | |
| | | RV | ES1081 07/17/2020 | | | | | |
| AD | ES1081 07/17/2020 | SCALE | DOCUMENT NO. | SCPTW26-5GT | | | | |
| RE | ES1081 07/17/2020 | 1:16 | | | | | | |
| ECN 008000040980 | | SIZE | WORK AREA 24 | MODEL | DRAWING | SHEET | | |
| C | | VERSION | STATUS | REVISION | VERSION | STATUS | REVISION | 1 OF 2 |
| | | 04 | RE | B | 08 | RE | B | |

NOTES:

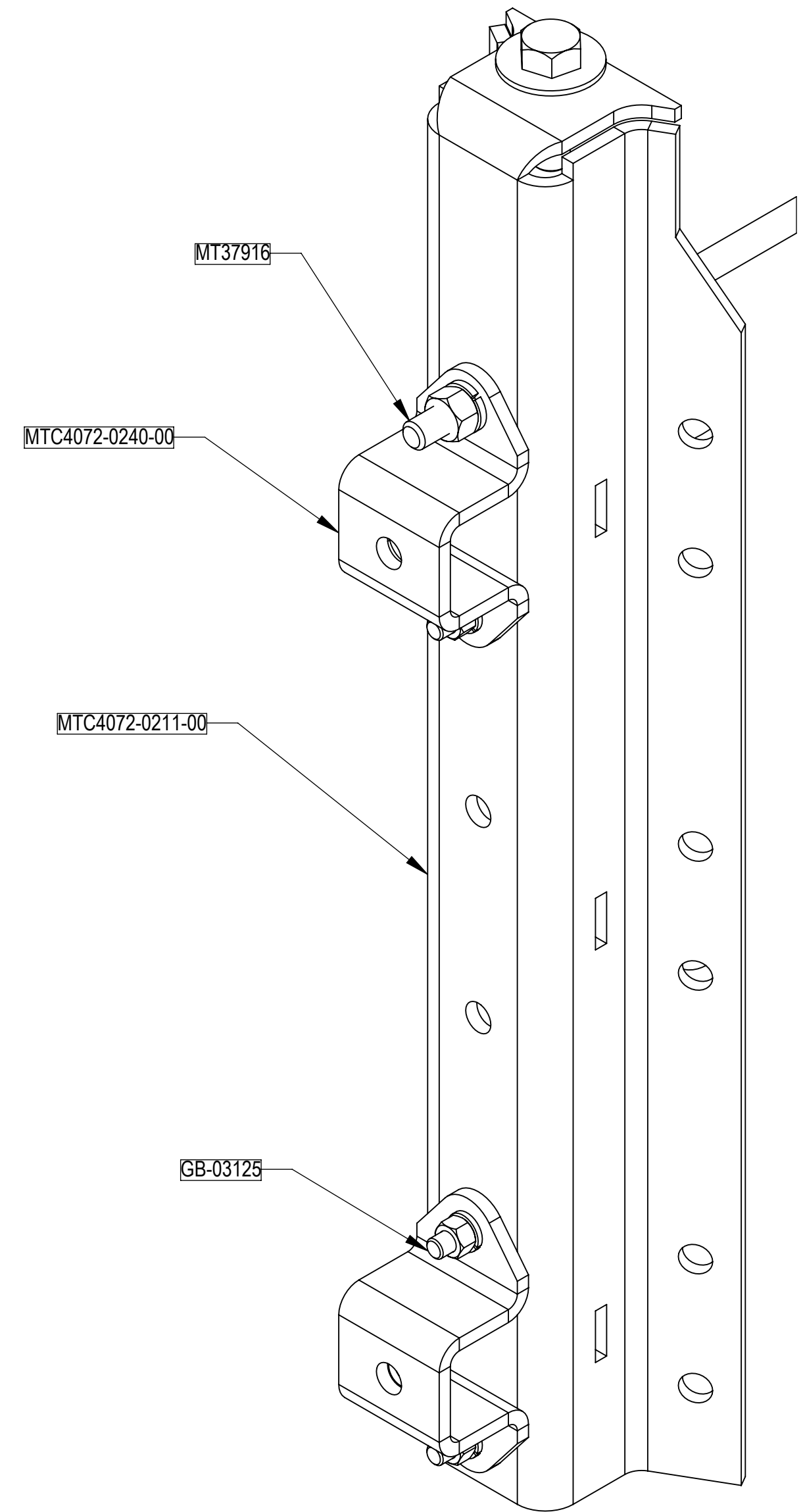
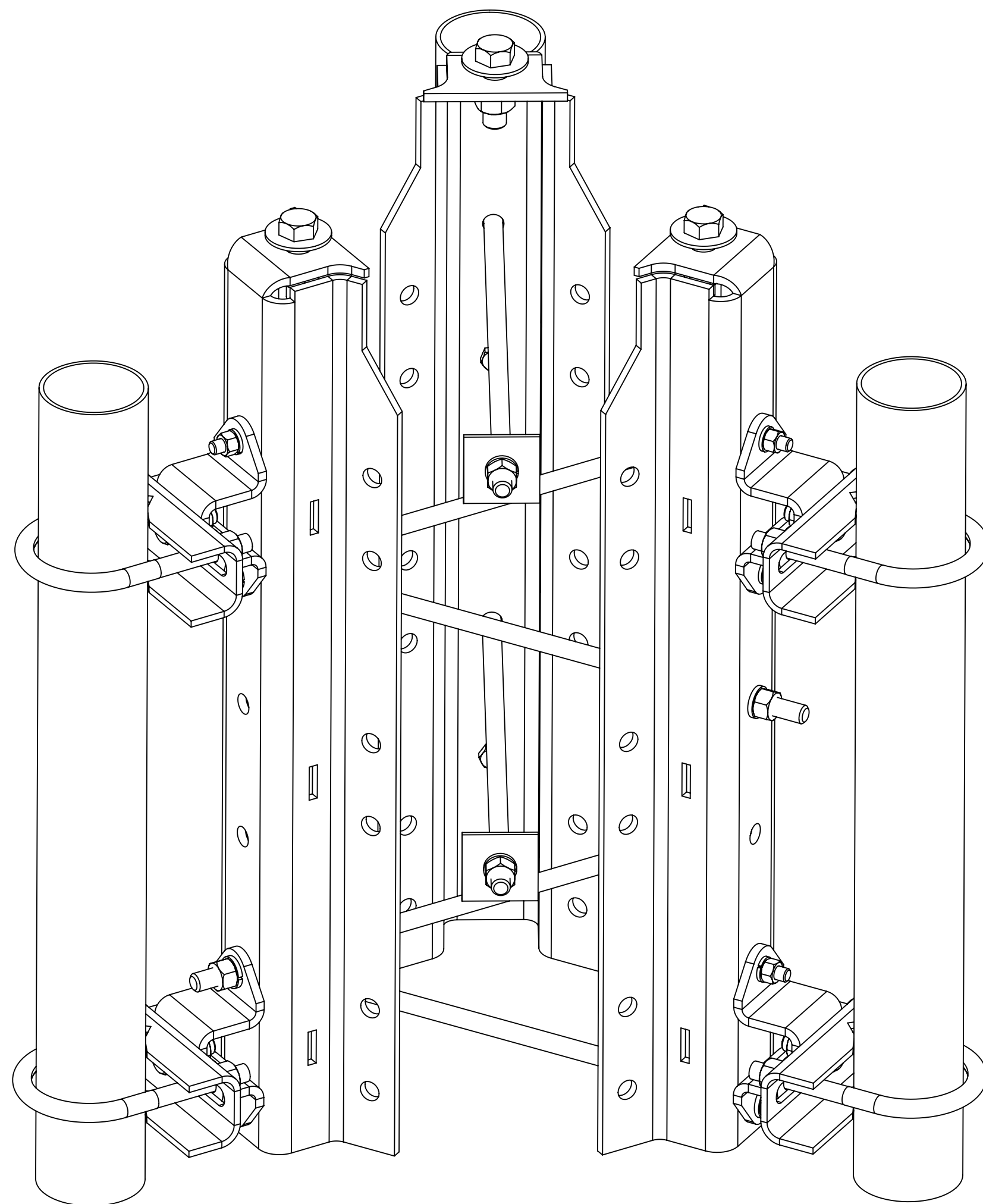
NOTES FOR ASSEMBLING PRODUCT:

USE AT LEAST ONE GB-03125 TO ATTACH EACH MTC4072-0240-00 TO MTC40720211-00 BEFORE INSTALLING ONTO WOOD POLE. ONCE INSTALLED, THIS HARDWARE WILL NOT BE ACCESSIBLE

WHEN USING THREADED ROD TO MOUNT PRODUCT TO POLE, THREADED ROD WILL TAKE THE PLACE OF SOME OF THE GB-03125 USED TO MOUNT MTC4072-0240-00

THREADED ROD THAT PENETRATES POLE ALWAYS MAINTAINS A MINIMUM OF 4 INCHES OF SEPARATION

CAREFUL STUDY OF DRAWING IS REQUIRED FOR PROPER INSTALLATION.



| | | | | |
|-----------------------------------|----------------------|-----------------------------|--------|-----------------|
| COMMSCOPE, INC. OF NORTH CAROLINA | | | | |
| TITLE SMALL CELL WRAP AROUND | | | | |
| SIZE C | SCALE 1:16 | DOCUMENT NO. SCPTW26-5GT | | |
| DRAWING | | VERSION | STATUS | REVISION |
| | | 08 | RE | B |
| | | | | SHEET 2 OF 2 |