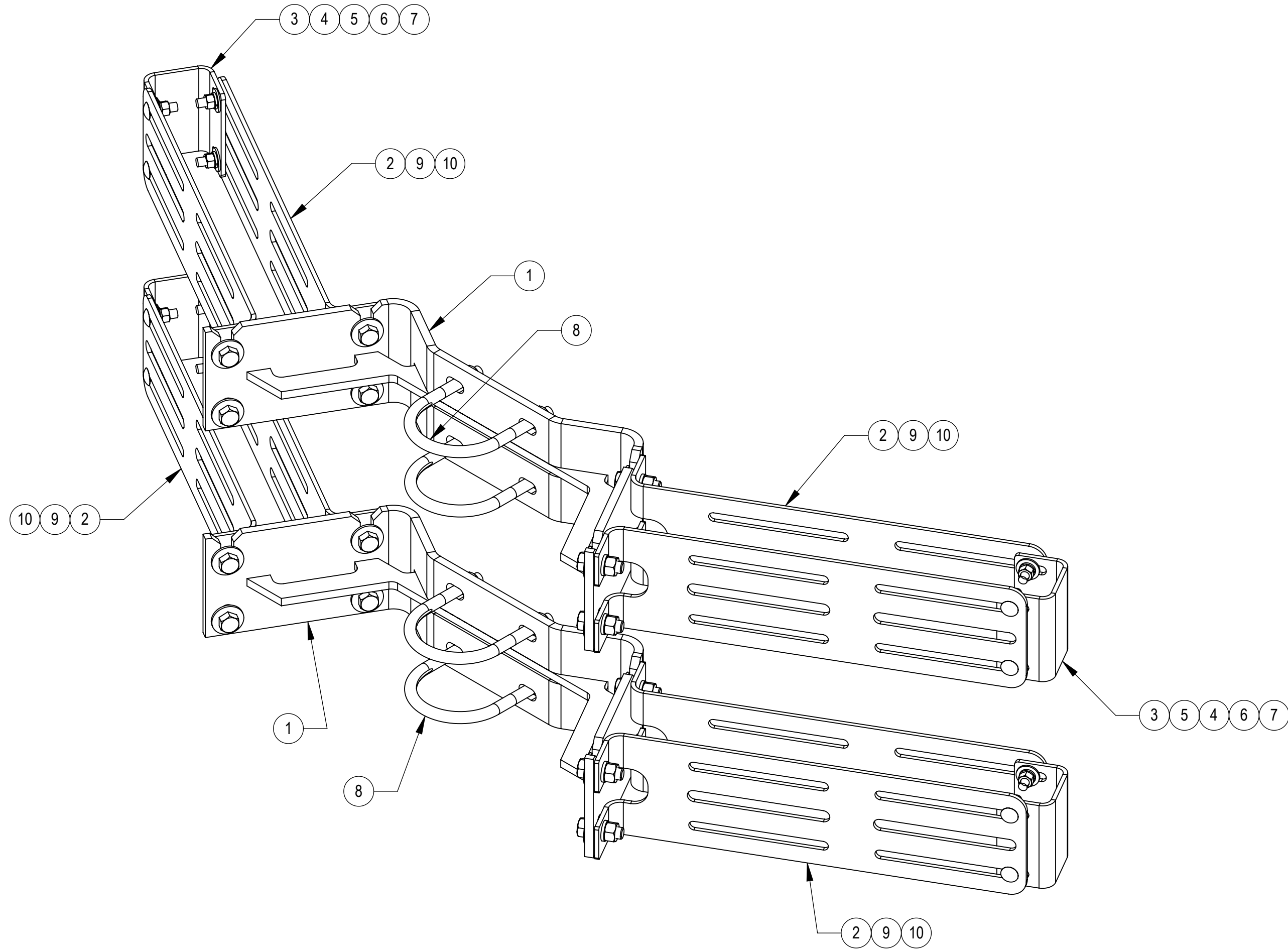


NOTES:

- 1.0 GENERAL
 - 1.1 ALL METRIC DIMENSIONS ARE IN BRACKETS
 - 1.2 FOR PATENT INFO :<https://www.cs-pat.com>
- 2.0 DESIGN NOTES
- 3.0 MANUFACTURING/SPECIAL REQUIREMENTS
- 4.0 TEST
- 5.0 PACKAGING

REVISIONS				
REV.	ECN	DESCRIPTION	BY	DATE
A	8000042229	INITIAL RELEASE	RJC	08/10/20



ITEM	PART NO.	DESCRIPTION	QTY.	NOTE NO.
1	RRAPEX-0100	WELDMENT, RRAPEX BRACKET	2	
2	MTC378909	RRU HANGER	8	
3	RRFA-0001-00	BRACKET, RRU MOUNT SMALL STABILIZER	4	
4	MTC8196	3/8 X 1-1/4" Carriage Bolt	16	
5	GWF-03	3/8" GALV FLAT WASHER	16	
6	GWL-03	3/8" GALV LOCK WASHER	16	
7	GN-03	3/8" GALV HEX NUT	16	
8	GUB-4355	1/2" X 3-5/8" X 5" GALV U-BOLT	4	
9	GWF-04	1/2" GALV FLAT WASHER	16	
10	GB-04145	1/2" X 1-1/2" GALV BOLT KIT	16	

DENSITY	83.15	lbs/in ³
MASS	83.15	lbs
VOLUME	294.12	in ³
SURFACE AREA	2892.51	in ²
HEIGHT		
LENGTH		
WIDTH		

COMMSCOPE, INC. OF NORTH CAROLINA					
TOLERANCES			SAP MATERIAL MASTER		
0 PLACE	X ± .25	2 PLACE	.XX ± 0.06	RR-APEX4	
1 PLACE	.X ± 0.12	ANGLES	± 2°		
FINISH			MATERIAL		
GALV A123			A1011/A1018		
UNLESS OTHERWISE SPECIFIED DIMENSIONS ARE IN INCHES INTERPRET PER ANSI Y 14.5M-1994	CE	RJC	DATE	TITLE	
	RW	BCAMPBELLCON	08/13/2020	APEX 4 RRU MOUNTING	
	RV				
	AD	MC1107	08/13/2020		
	RE	BCROSS	08/13/2020		
ECN 008000042229			SCALE	DOCUMENT NO.	
			1:4	RR-APEX4	
SIZE	WORK AREA	24	MODEL		DRAWING
C		VERSION	STATUS	REVISION	VERSION
		00	RE	A	00
					SHEET
					1 OF 3

4

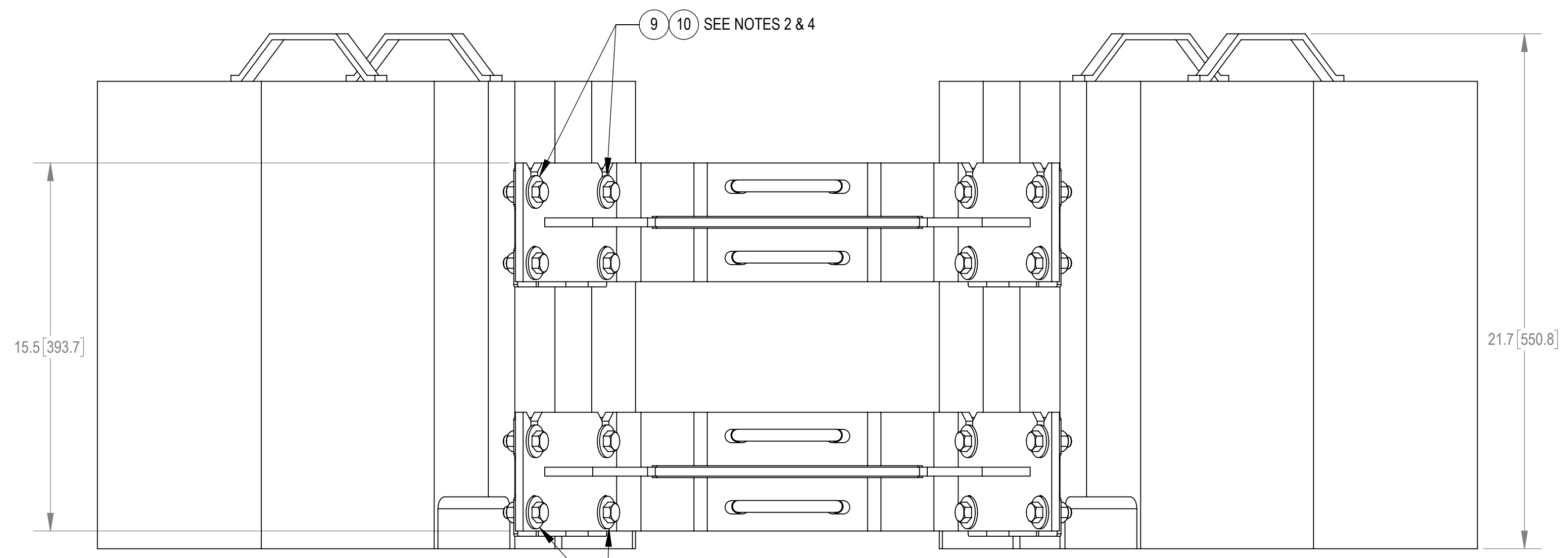
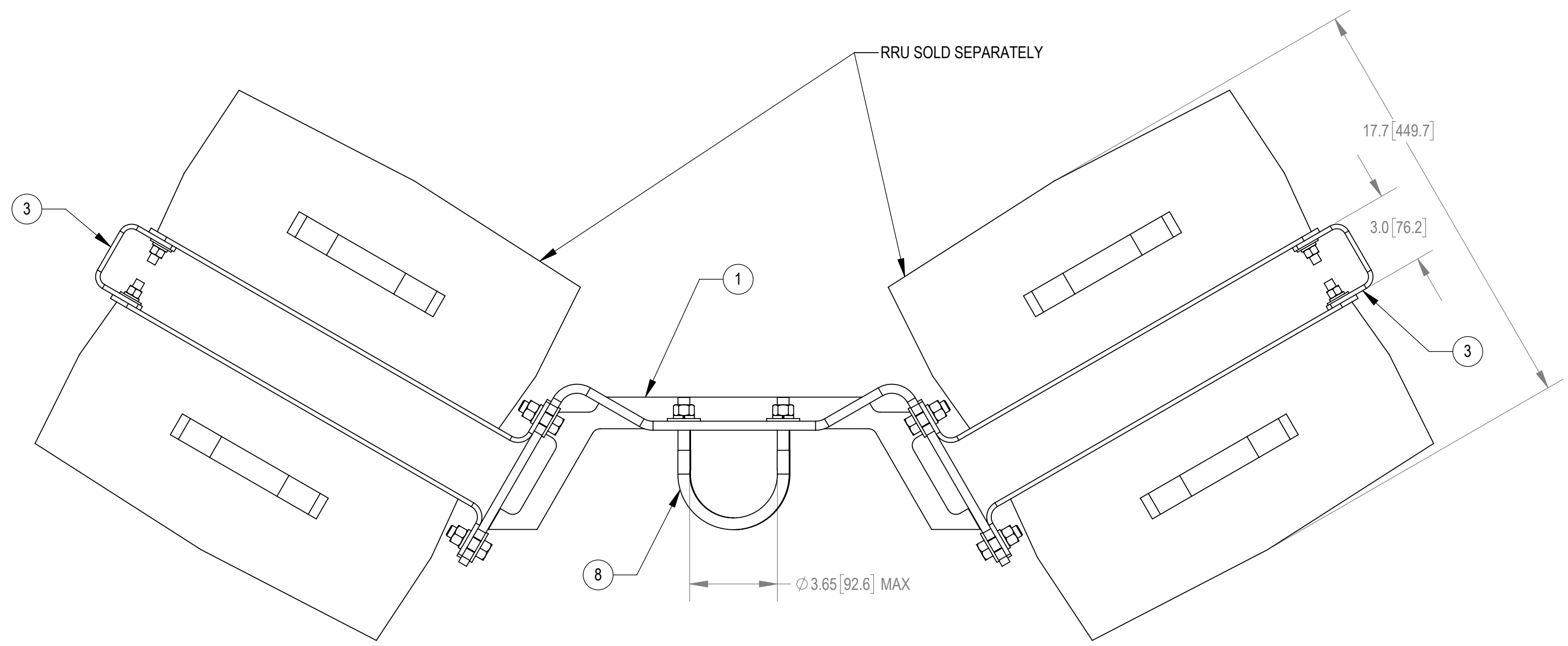
3

2

1

NOTES:

- 1. PREASSEMBLE HANGER AND RRU'S.
- 2. WITH TOP SETS OF ITEMS 9 AND 10 LOOSE, SLIDE HANGER INTO POSITION THEN TIGHTEN BOLTS FOR INSTALLATION.
- 3. PUT THE BOTTOM SETS OF ITEMS 9 AND 10 IN AFTER THE HANGER AND RRU'S ARE INSTALLED.
- 4. TORQUE ITEMS 10 TO 60ft lbs AFTER INSTALLATION.



COMMSCOPE, INC. OF NORTH CAROLINA				
TITLE APEX 4 RRU MOUNTING				
SIZE C	SCALE 1:4	DOCUMENT NO. RR-APEX4		
		DRAWING		SHEET
		VERSION	STATUS	REVISION
		00	RE	A
				2 OF 3

4

3

2

1

4

3

2

1

NOTES:

LARGE STABILIZER KIT (RRFAK-001L)
SOLD SEPARATELY

A2 ORDERED SEPARATELY

RRU ORDERED SEPARATELY

23.7 [602.6]

1.8 [45.1]

8.6 [218.4]

D

D

C

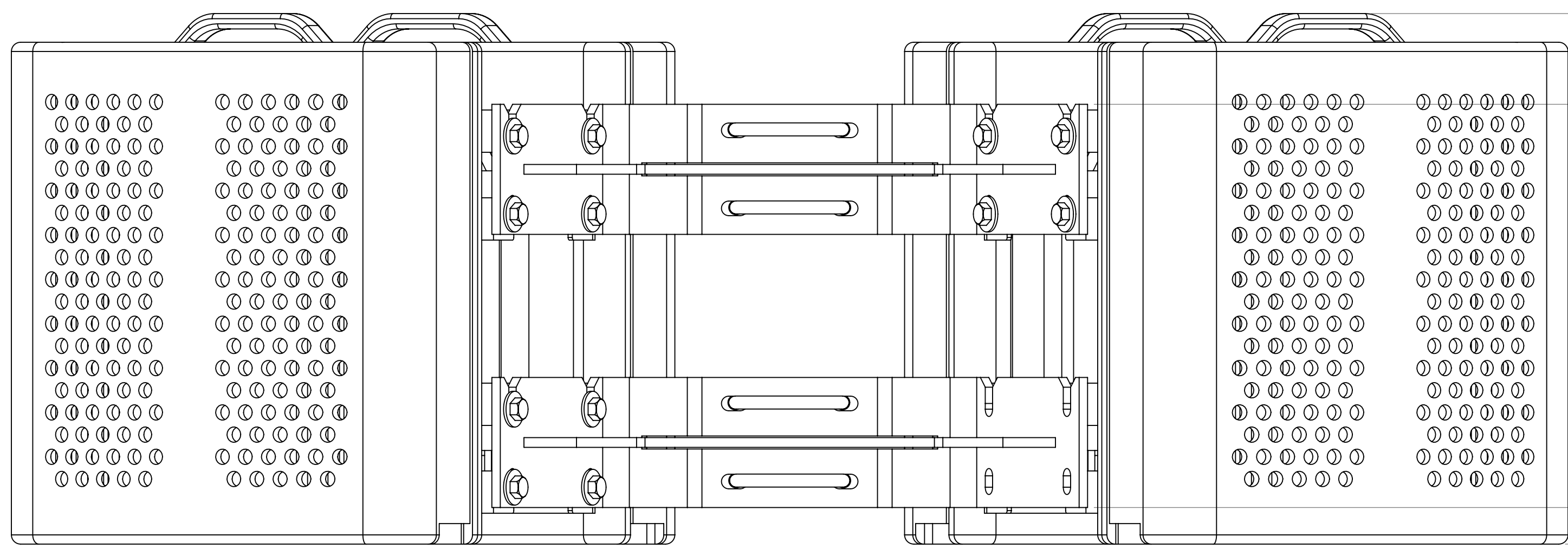
C

B

B

A

A




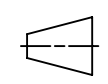
20.4 [518.0]

15.5 [393.7]

COMMSCOPE, INC. OF NORTH CAROLINA

TITLE
APEX 4 RRU MOUNTING

SIZE C	SCALE 1:4	DOCUMENT NO. RR-APEX4	
------------------	---------------------	---------------------------------	--

 	DRAWING			SHEET 3 OF 3
	VERSION 00	STATUS RE	REVISION A	

© 2020 CommScope, Inc. Confidential

4

3

2

1