

Installation Instructions

Next Gen Strut Assembly



Phase 3

Description

Strut assemblies are provided to increase rigidity to the antenna installation.



Main Hazards – Health Effects

Eyes: May cause irritation.

Inhalation: Viscous nature may block breathing passages if inhaled.

Ingestion: May cause diarrhoea.

Skin: For hypersensitive persons, may irritate the skin after long periods of contact.

Respiratory Protection: None needed.

Hand Protection: Protective gloves for hypersensitive persons.

Eye Protection: Glasses, if applied to parts in motion.

Body Protection: Overalls.

Refer to Standard TIA-222 "Structural Standards for Antenna Towers and Antenna Supporting Structures" for structural attachment requirements.

ITEM	Description	QTY
1	STRUT	1
2	HEX HD SCREW M12x35, GALV	2
3	FLAT WASHER, M12, GALV	6
4	LOCK WASHER, M12, GALV	3
5	HEX NUT, M12, GALV	8
6	ANGLE BRACKET	1
7	U-BOLT, GALV, M12 (c/w Nuts & Washers)	1
8	ANCHOR PLATE	1
9	HEX HD SCREW M16 x 50 GALV	1
10	C'SK HD SCREW M12 x 40 GALV	1
11	HEX HD SCREW M12x45, GALV	1
12	FLAT WASHER, M16, GALV	1
13	LOCK WASHER, M16, GALV	1
14	HEX NUT, M16, GALV	1
15	CLAMP BRACKET	2
16	HEX HD SCREW M12x140, GALV	1
17	SKT C'SK SCREW M12x160, GALV	1
18	BRACE ROD ANGLE BRACKET	1
19	ANTENNA STRUT PLATE	1
20	SHCS M10 x 30 STST	2
21	WASHER M10 SPLIT STST	2
22	WASHER M10 FLAT STST	2

Fastener and torque value in Nm (lb-ft) for each fastener size (unless otherwise stated)						
Size	M5	M6	M8	M10	M12	M16
Galvanized	2.7	4.5	11.1	22	38	95
Steel	(2)	(3.3)	(8.1)	(16.2)	(28)	(70.1)

CommScope
 1100 CommScope Place SE P.O. Box 339, Hickory, NC 28603-0339
 (828) 324-2200 (800) 982-1708
 www.commscope.com

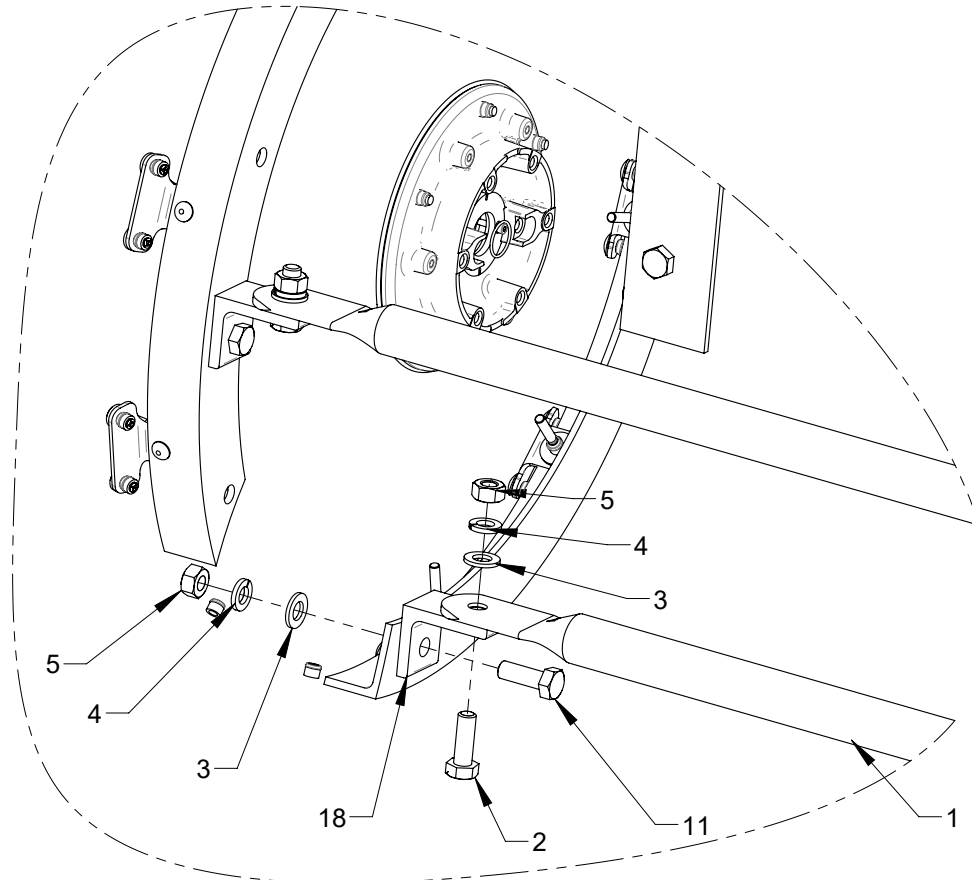
Notice: CommScope disclaims any liability or responsibility for the results of improper or unsafe installation, inspection, maintenance, or removal practices.
 Aviso: CommScope no acepta ninguna obligación ni responsabilidad como resultado de prácticas incorrectas o peligrosas de instalación, inspección, mantenimiento o retiro. Avis : CommScope décline toute responsabilité pour les conséquences de procédures d'installation, d'inspection, d'entretien ou de retrait incorrectes ou dangereuses. Hinweis: CommScope lehnt jede Haftung oder Verantwortung für Schäden ab, die aufgrund unsachgemäßer Installation, Überprüfung, Wartung oder Demontage auftreten.
 Atenção: A CommScope abdica do direito de toda responsabilidade pelos resultados de práticas inadequadas e sem segurança de instalação, inspeção, manutenção ou remoção. Avvertenza: CommScope declina eventuali responsabilità derivanti dall'esecuzione di procedure di installazione, ispezione, manutenzione e smontaggio improprie o poco sicure.

Customer Service 24 hours
 North America: +1-800-255-1479 (toll free)
 Any country: +1-779-435-6500
 email: acicustomersupportcenter@commscope.com





1. FIXING STRUT TO ANTENNA (Reflector Ring)



Strut to be loosely fitted until alignment is complete then tighten all fixings to a torque of 38Nm

CommScope
1100 CommScope Place SE P.O. Box 339, Hickory, NC 28603-0339
(828) 324-2200 (800) 982-1708
www.commscope.com

Notice: CommScope disclaims any liability or responsibility for the results of improper or unsafe installation, inspection, maintenance, or removal practices.
Aviso: CommScope no acepta ninguna obligación ni responsabilidad como resultado de prácticas incorrectas o peligrosas de instalación, inspección, mantenimiento o retiro. Avis : CommScope décline toute responsabilité pour les conséquences de procédures d'installation, d'inspection, d'entretien ou de retrait incorrectes ou dangereuses. Hinweis: CommScope lehnt jede Haftung oder Verantwortung für Schäden ab, die aufgrund unsachgemäßer Installation, Überprüfung, Wartung oder Demontage auftreten.
Atenção: A CommScope abdica do direito de toda responsabilidade pelos resultados de práticas inadequadas e sem segurança de instalação, inspeção, manutenção ou remoção. Avvertenza: CommScope declina eventuali responsabilità derivanti dall'esecuzione di procedure di installazione, ispezione, manutenzione e smontaggio improprie o poco sicure.

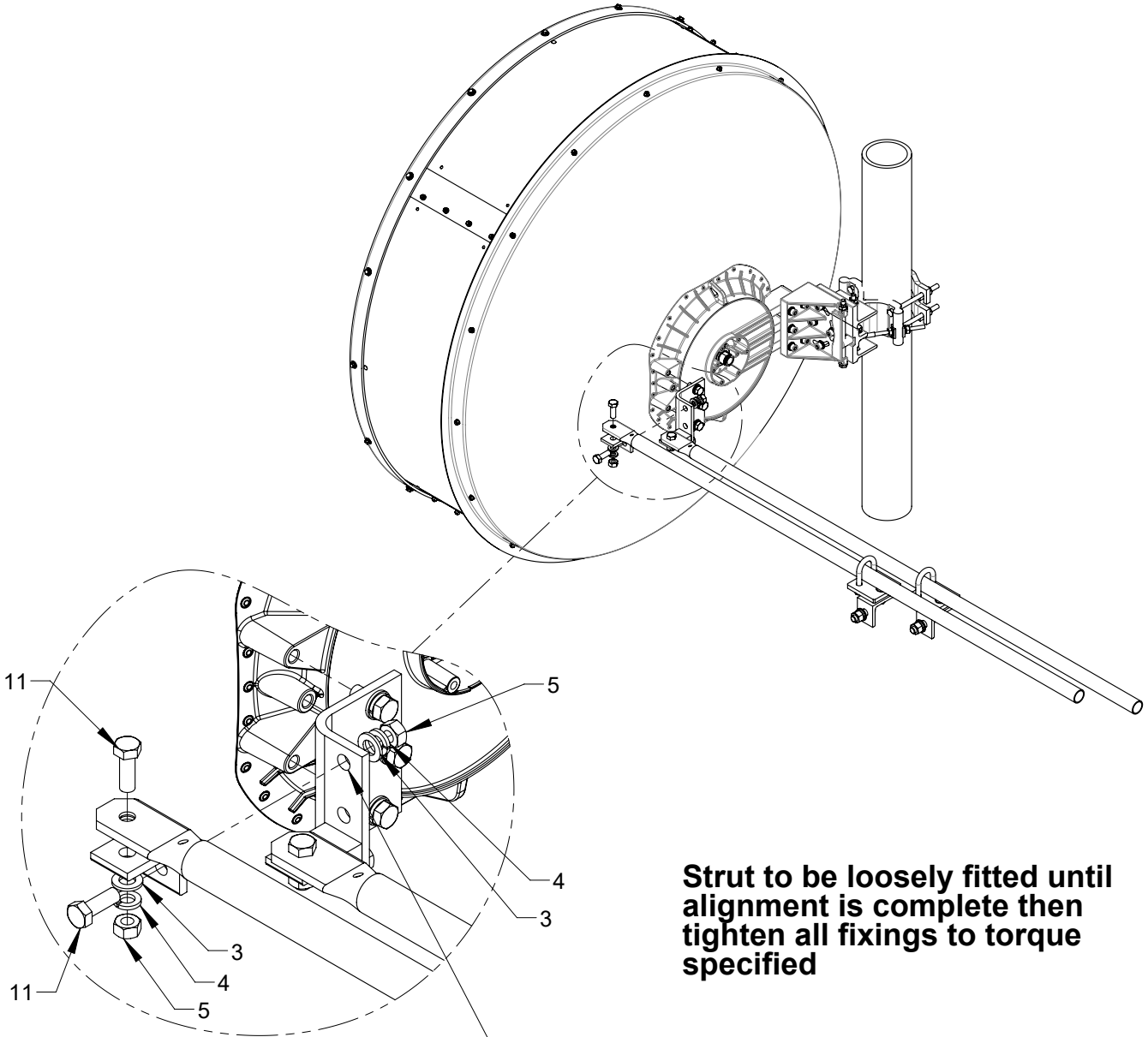
注意: CommScope 公司申明對於不恰當或不安全的安裝、檢驗、維修或拆卸操作所導致的後果不負任何義務和責任
© June, 2018 CommScope

Customer Service 24 hours
North America: +1-800-255-1479 (toll free)
Any country: +1-779-435-6500
email: acicustomersupportcenter@commscope.com





2. FIXING STRUT TO ANTENNA (Reflector Casting)



Strut to be loosely fitted until alignment is complete then tighten all fixings to torque specified

Additional strut to be attached to top hole after re-fitting existing strut to the bottom. Tighten all hardware to a torque of 38NM \pm 5%

CommScope
1100 CommScope Place SE P.O. Box 339, Hickory, NC 28603-0339
(828) 324-2200 (800) 982-1708
www.commscope.com

Notice: CommScope disclaims any liability or responsibility for the results of improper or unsafe installation, inspection, maintenance, or removal practices.
Aviso: CommScope no acepta ninguna obligación ni responsabilidad como resultado de prácticas incorrectas o peligrosas de instalación, inspección, mantenimiento o retiro. Avis : CommScope décline toute responsabilité pour les conséquences de procédures d'installation, d'inspection, d'entretien ou de retrait incorrectes ou dangereuses. Hinweis: CommScope lehnt jede Haftung oder Verantwortung für Schäden ab, die aufgrund unsachgemäßer Installation, Überprüfung, Wartung oder Demontage auftreten.
Atenção: A CommScope abdica do direito de toda responsabilidade pelos resultados de práticas inadequadas e sem segurança de instalação, inspeção, manutenção ou remoção. Avvertenza: CommScope declina eventuali responsabilità derivanti dall'esecuzione di procedure di installazione, ispezione, manutenzione e smontaggio improprie o poco sicure.

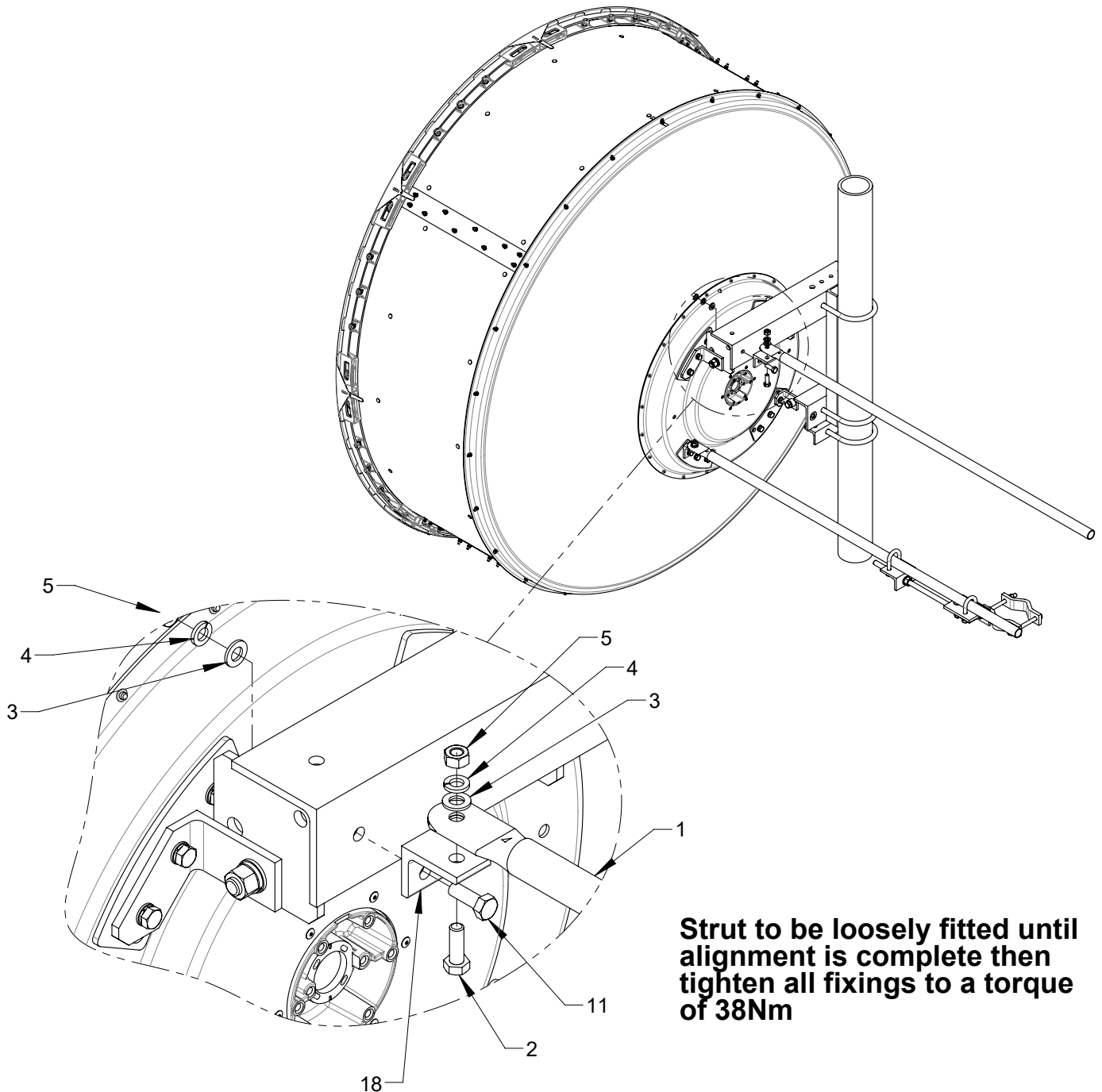
注意: CommScope 公司申明對於不恰當或不安全的安裝、檢驗、維修或拆卸操作所導致的後果不負責任。何義務和責任
© June, 2018 CommScope

Customer Service 24 hours
North America: +1-800-255-1479 (toll free)
Any country: +1-779-435-6500
email: acicustomersupportcenter@commscope.com





3. FIXING STRUT TO ANTENNA (Antenna mount)



Strut to be loosely fitted until alignment is complete then tighten all fixings to a torque of 38Nm

CommScope
1100 CommScope Place SE P.O. Box 339, Hickory, NC 28603-0339
(828) 324-2200 (800) 982-1708
www.commscope.com

Notice: CommScope disclaims any liability or responsibility for the results of improper or unsafe installation, inspection, maintenance, or removal practices.
Aviso: CommScope no acepta ninguna obligación ni responsabilidad como resultado de prácticas incorrectas o peligrosas de instalación, inspección, mantenimiento o retiro. Avis: CommScope décline toute responsabilité pour les conséquences de procédures d'installation, d'inspection, d'entretien ou de retrait incorrectes ou dangereuses. Hinweis: CommScope lehnt jede Haftung oder Verantwortung für Schäden ab, die aufgrund unsachgemäßer Installation, Überprüfung, Wartung oder Demontage auftreten.
Atenção: A CommScope abdica do direito de toda responsabilidade pelos resultados de práticas inadequadas e sem segurança de instalação, inspeção, manutenção ou remoção. Avvertenza: CommScope declina eventuali responsabilità derivanti dall'esecuzione di procedure di installazione, ispezione, manutenzione e smontaggio improprie o poco sicure.

注意: CommScope 公司申明對於不恰當或不安全的安裝、檢驗、維修或拆卸操作所導致的後果不負任何義務和責任
© June, 2018 CommScope

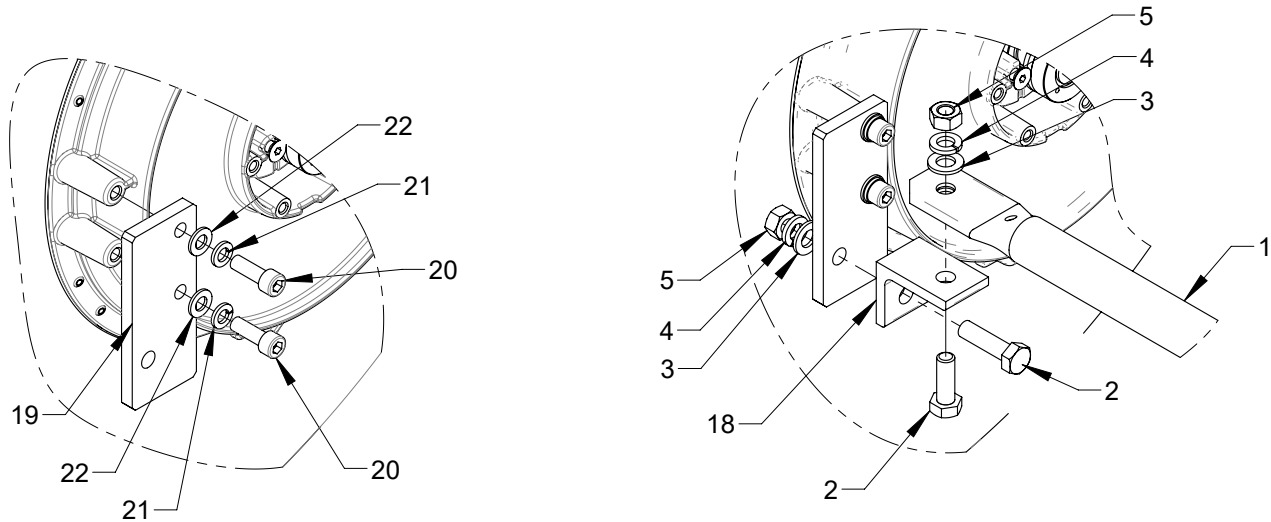
Customer Service 24 hours
North America: +1-800-255-1479 (toll free)
Any country: +1-779-435-6500
email: acicustomersupportcenter@commscope.com





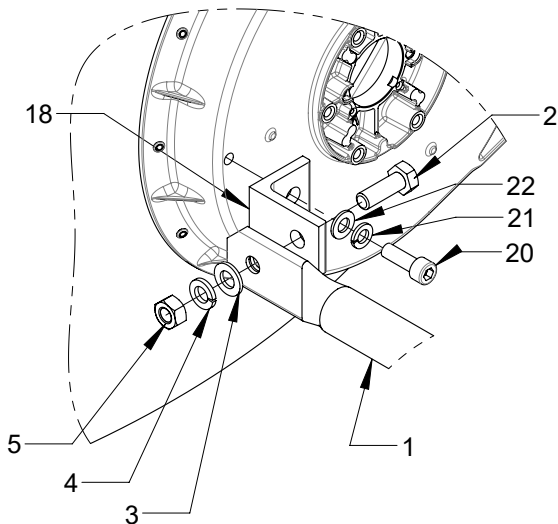
4a OPTION 1 ANTENNA ATTACHMENT (for 3ft option 1)

Strut to be loosely fitted until alignment is complete, then tighten all fixings to a torque of 38Nm.



4b OPTION 2 ANTENNA ATTACHMENT (for 3ft option 2)

Strut to be loosely fitted until alignment is complete, then tighten all fixings to a torque of 38Nm.



CommScope
1100 CommScope Place SE P.O. Box 339, Hickory, NC 28603-0339
(828) 324-2200 (800) 982-1708
www.commscope.com

Notice: CommScope disclaims any liability or responsibility for the results of improper or unsafe installation, inspection, maintenance, or removal practices.
Aviso: CommScope no acepta ninguna obligación ni responsabilidad como resultado de prácticas incorrectas o peligrosas de instalación, inspección, mantenimiento o retiro. Avis : CommScope décline toute responsabilité pour les conséquences de procédures d'installation, d'inspection, d'entretien ou de retrait incorrectes ou dangereuses. Hinweis: CommScope lehnt jede Haftung oder Verantwortung für Schäden ab, die aufgrund unsachgemäßer Installation, Überprüfung, Wartung oder Demontage auftreten.
Atenção: A CommScope abdica do direito de toda responsabilidade pelos resultados de práticas inadequadas e sem segurança de instalação, inspeção, manutenção ou remoção. Avvertenza: CommScope declina eventuali responsabilità derivanti dall'esecuzione di procedure di installazione, ispezione, manutenzione e smontaggio improprie o poco sicure.

注意: CommScope 公司申明對於不恰當或不安全的安裝、檢驗、維修或拆卸操作所導致的後果不負責任 何義務和責任
© June, 2018 CommScope

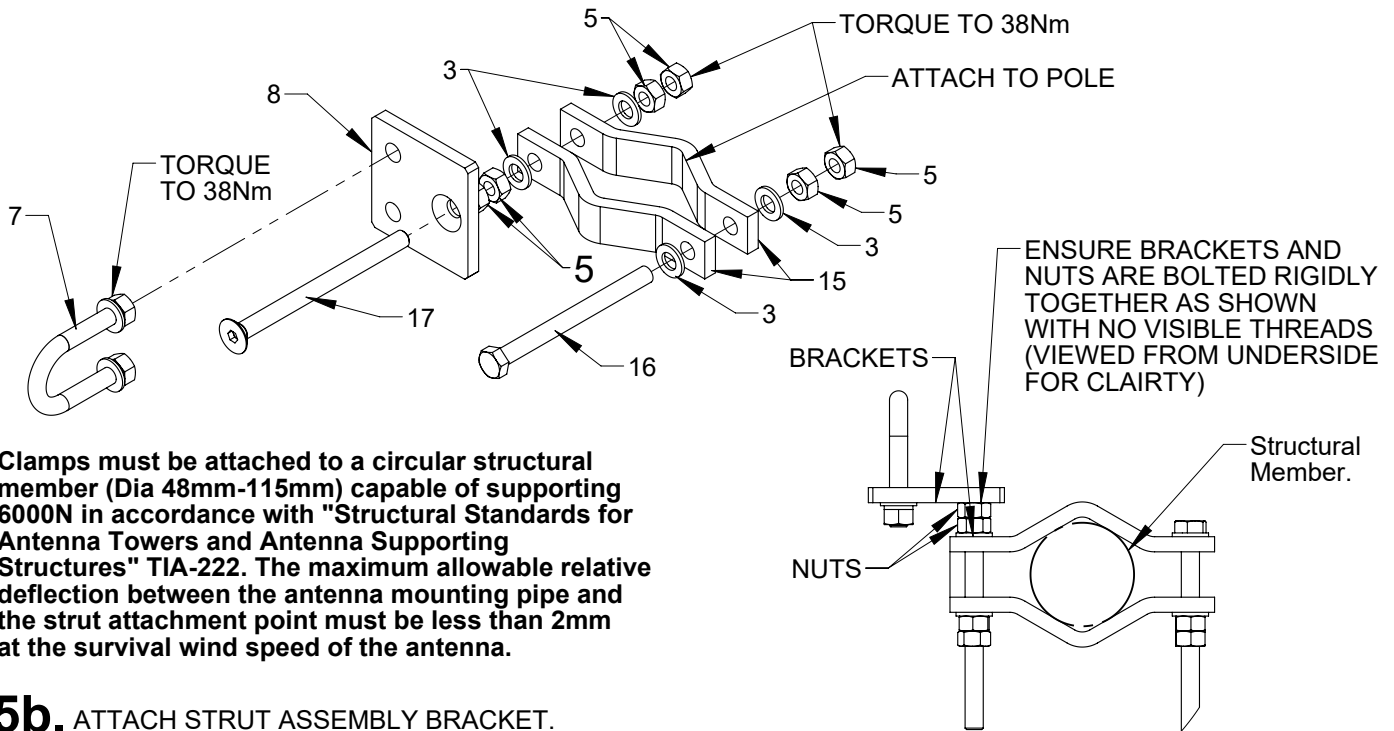
Customer Service 24 hours
North America: +1-800-255-1479 (toll free)
Any country: +1-779-435-6500
email: acicustomersupportcenter@commscope.com





5a. ATTACH STRUT ASSEMBLY BRACKET.

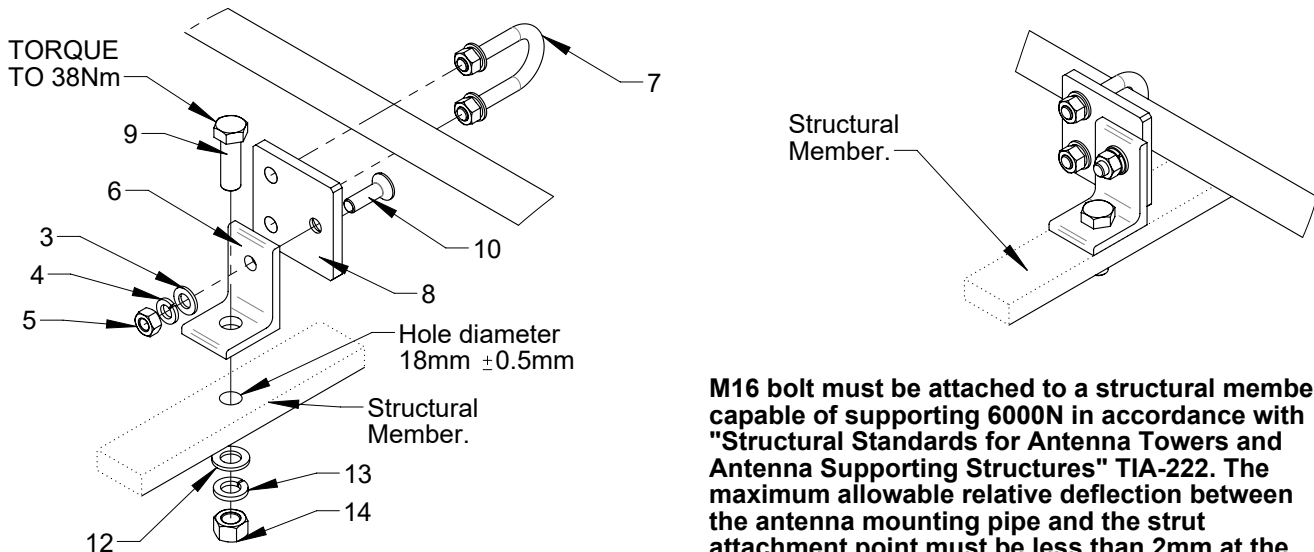
OPTION 1 - FOR ATTACHMENT TO CIRCULAR STRUCTURAL MEMBERS.



Clamps must be attached to a circular structural member (Dia 48mm-115mm) capable of supporting 6000N in accordance with "Structural Standards for Antenna Towers and Antenna Supporting Structures" TIA-222. The maximum allowable relative deflection between the antenna mounting pipe and the strut attachment point must be less than 2mm at the survival wind speed of the antenna.

5b. ATTACH STRUT ASSEMBLY BRACKET.

OPTION 2 - FOR ATTACHMENT TO NON-CIRCULAR STRUCTURAL MEMBERS.



M16 bolt must be attached to a structural member capable of supporting 6000N in accordance with "Structural Standards for Antenna Towers and Antenna Supporting Structures" TIA-222. The maximum allowable relative deflection between the antenna mounting pipe and the strut attachment point must be less than 2mm at the survival wind speed of the antenna.

CommScope
1100 CommScope Place SE P.O. Box 339, Hickory, NC 28603-0339
(828) 324-2200 (800) 982-1708
www.commscope.com

Notice: CommScope disclaims any liability or responsibility for the results of improper or unsafe installation, inspection, maintenance, or removal practices.
Aviso: CommScope no acepta ninguna obligación ni responsabilidad como resultado de prácticas incorrectas o peligrosas de instalación, inspección, mantenimiento o retiro. Avis : CommScope décline toute responsabilité pour les conséquences de procédures d'installation, d'inspection, d'entretien ou de retrait incorrectes ou dangereuses. Hinweis: CommScope lehnt jede Haftung oder Verantwortung für Schäden ab, die aufgrund unsachgemäßer Installation, Überprüfung, Wartung oder Demontage auftreten.
Atenção: A CommScope abdica do direito de toda responsabilidade pelos resultados de práticas inadequadas e sem segurança de instalação, inspeção, manutenção ou remoção. Avvertenza: CommScope declina eventuali responsabilità derivanti dall'esecuzione di procedure di installazione, ispezione, manutenzione e smontaggio improprie o poco sicure.

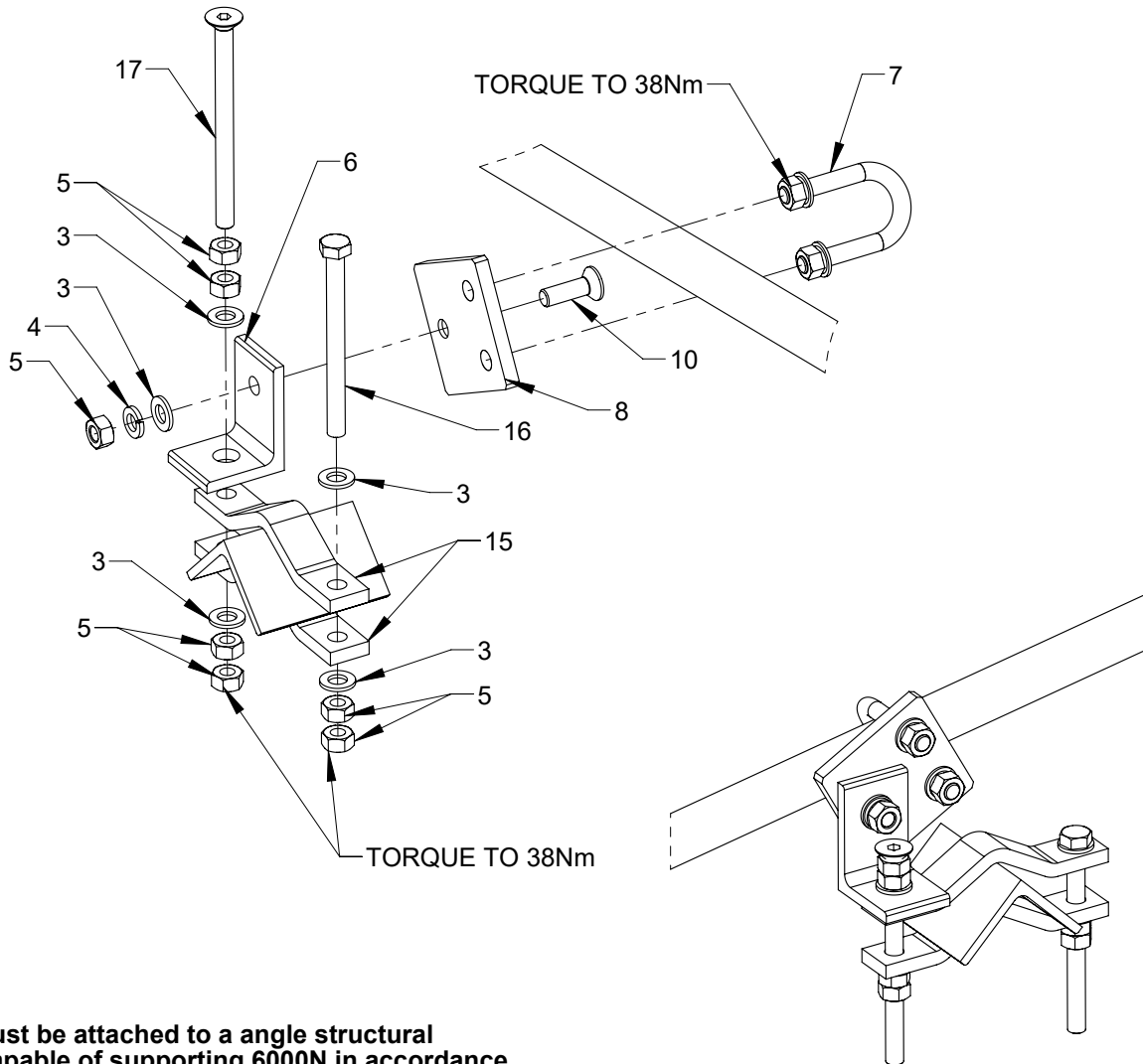
注意: CommScope 公司申明對於不恰當或不安全的安裝、檢驗、維修或拆卸操作所導致的後果不負責任 何義務和責任
© June, 2018 CommScope

Customer Service 24 hours
North America: +1-800-255-1479 (toll free)
Any country: +1-779-435-6500
email: acicustomersupportcenter@commscope.com





5c. ATTACH STRUT ASSY BRACKET. OPTION 3 - FOR ATTACHMENT TO ANGLE STRUCTURAL MEMBERS.



Clamps must be attached to a angle structural member capable of supporting 6000N in accordance with "Structural Standards for Antenna Towers and Antenna Supporting Structures" TIA-222. The maximum allowable relative deflection between the antenna mounting pipe and the strut attachment point must be less than 2mm at the survival wind speed of the antenna.

CommScope
1100 CommScope Place SE P.O. Box 339, Hickory, NC 28603-0339
(828) 324-2200 (800) 982-1708
www.commscope.com

Notice: CommScope disclaims any liability or responsibility for the results of improper or unsafe installation, inspection, maintenance, or removal practices.
Aviso: CommScope no acepta ninguna obligación ni responsabilidad como resultado de prácticas incorrectas o peligrosas de instalación, inspección, mantenimiento o retiro. Avis : CommScope décline toute responsabilité pour les conséquences de procédures d'installation, d'inspection, d'entretien ou de retrait incorrectes ou dangereuses. Hinweis: CommScope lehnt jede Haftung oder Verantwortung für Schäden ab, die aufgrund unsachgemäßer Installation, Überprüfung, Wartung oder Demontage auftreten.
Atenção: A CommScope abdica do direito de toda responsabilidade pelos resultados de práticas inadequadas e sem segurança de instalação, inspeção, manutenção ou remoção. Avvertenza: CommScope declina eventuali responsabilità derivanti dall'esecuzione di procedure di installazione, ispezione, manutenzione e smontaggio improprie o poco sicure.

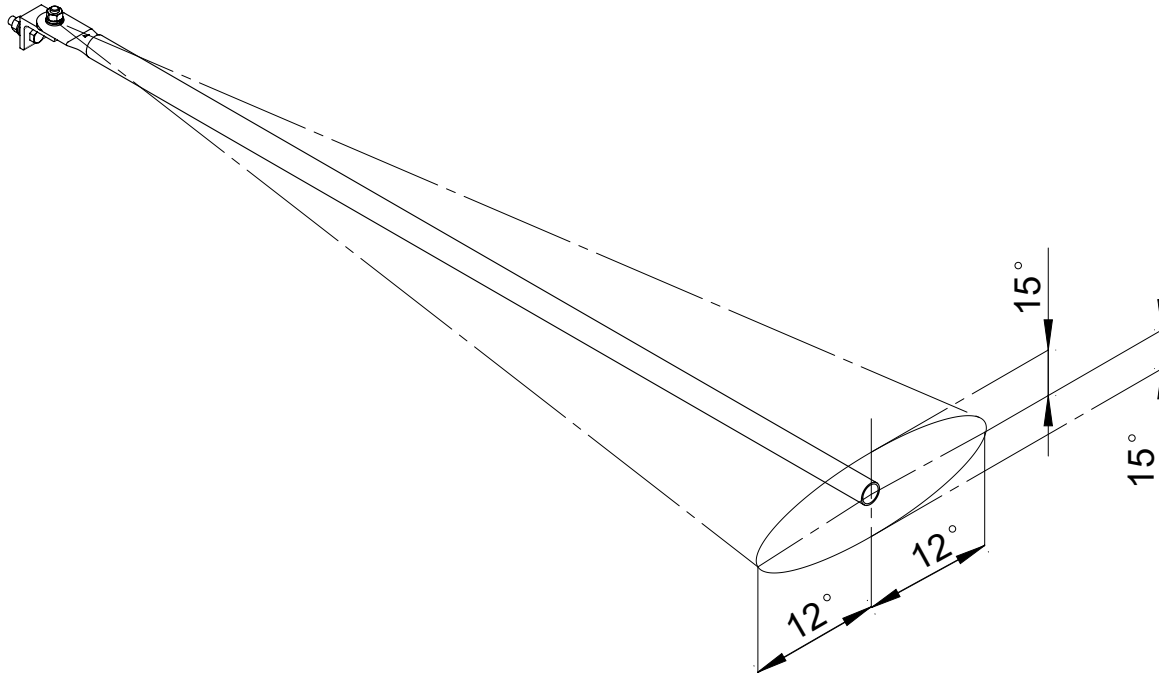
注意: CommScope 公司申明對於不恰當或不安全的安裝、檢驗、維修或拆卸操作所導致的後果不負責任 何義務和責任
© June, 2018 CommScope

Customer Service 24 hours
North America: +1-800-255-1479 (toll free)
Any country: +1-779-435-6500
email: acicustomersupportcenter@commscope.com





6. Limits of Strut



Limits of strut position for attachment to tower member

Depending on radio integration, strut envelope may be restricted

CommScope
1100 CommScope Place SE P.O. Box 339, Hickory, NC 28603-0339
(828) 324-2200 (800) 982-1708
www.commscope.com

Notice: CommScope disclaims any liability or responsibility for the results of improper or unsafe installation, inspection, maintenance, or removal practices.
Aviso: CommScope no acepta ninguna obligación ni responsabilidad como resultado de prácticas incorrectas o peligrosas de instalación, inspección, mantenimiento o retiro. Avis : CommScope décline toute responsabilité pour les conséquences de procédures d'installation, d'inspection, d'entretien ou de retrait incorrectes ou dangereuses. Hinweis: CommScope lehnt jede Haftung oder Verantwortung für Schäden ab, die aufgrund unsachgemäßer Installation, Überprüfung, Wartung oder Demontage auftreten.
Atenção: A CommScope abdica do direito de toda responsabilidade pelos resultados de práticas inadequadas e sem segurança de instalação, inspeção, manutenção ou remoção. Avvertenza: CommScope declina eventuali responsabilità derivanti dall'esecuzione di procedure di installazione, ispezione, manutenzione e smontaggio improprie o poco sicure.

注意: CommScope 公司申明對於不恰當或不安全的安裝、檢驗、維修或拆卸操作所導致的後果不負任何義務和責任
© June, 2018 CommScope

Customer Service 24 hours
North America: +1-800-255-1479 (toll free)
Any country: +1-779-435-6500
email: acicustomersupportcenter@commscope.com

