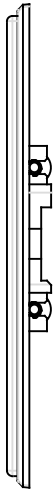
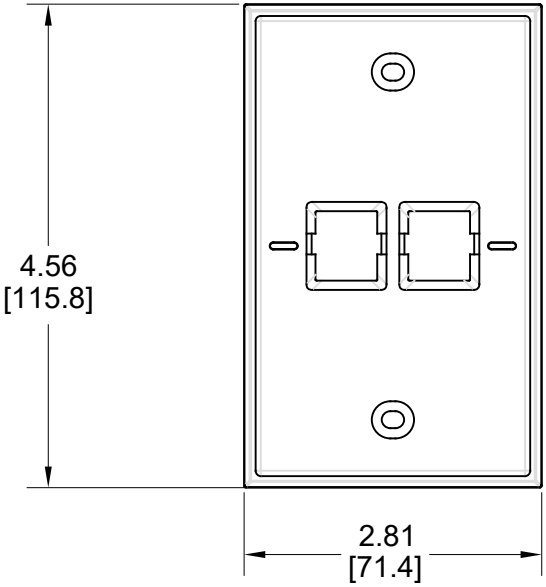
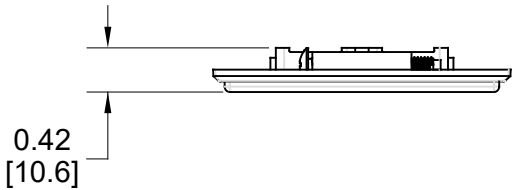


| MATERIAL ID | DESCRIPTION       |
|-------------|-------------------|
| 760249133   | FP KT 2P NLBL 262 |

NOTES:

1. SEE COMMSCOPE CATALOG FOR PART NUMBER SUFFIXES TO INDICATE COLOR/PKG.
2. SEE COMMSCOPE CATALOG FOR COMPLETE LIST OF PARTS RELATED TO THE USE OF THIS PRODUCT.
3. DIMENSIONS IN PARENTHESES ARE IN METRIC[MM].
4. PART INCLUDES:
  - (1) 2 PORT NAR NLBL FP, WHITE
  - (2) SCREW



|   |          |     |               |             |                 |                  |
|---|----------|-----|---------------|-------------|-----------------|------------------|
| FP KT 2P NLBL 262                       |          |     |               |             |                 |                  |
| <b>COMMSCOPE, INC</b> OF NORTH CAROLINA |          |     |               |             |                 |                  |
|   |          |     |               |             |                 |                  |
| 1                                       | 02/03/21 |     | INITIAL ISSUE | FW          | DRAWN BY JW     |                  |
| REV                                     | DATE     | ECR | DESCRIPTION   | APPROVED BY | DATE 02/03/2021 | DWG NO 760249133 |