

# Strand mount small cell solutions

## CommScope's Strand mount has now been issued two U.S. Patents!

[Click here](#) for more information:

Details	Patent Number
Small Cell Strand Mount for 4G and 5G Applications	11581630; 11646484

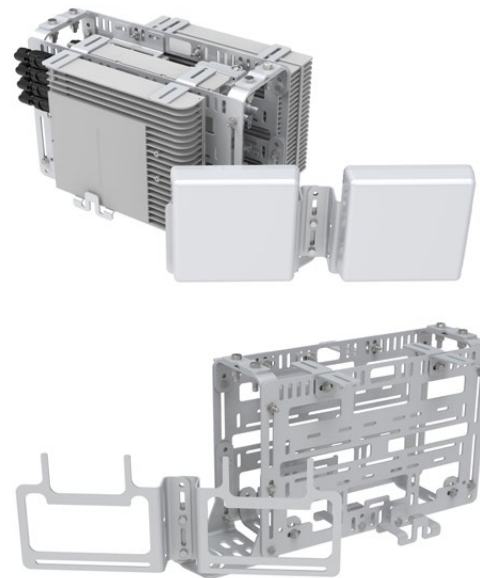
## A smarter, more economical small cell deployment option

Growing wireless networks depend increasingly on small cells to expand 4G and 5G capacity in areas of dense demand. The strategy is simple, but the logistics of implementation can be complicated, as permitting, planning, installation and time to revenue can make deployments cumbersome—and it's often difficult to secure suitable power and fiber backhaul resources to connect these sites.

Together, these challenges prevent mobile network operators and neutral hosts from establishing the standardized, repeatable solution processes necessary to deploy new small cell sites quickly and economically.

## CommScope's patented strand mount solution solves the small cell puzzle

To simplify, standardize and economize small cell deployments, CommScope developed the strand mount—an innovative, low-visual-impact option that places the small cell site directly on overhead utility lines' support cables. By taking the site off the pole, operators and neutral hosts don't have to find or install suitable street furniture—or deal with all the permitting hassles that come with it.



## The right solution in the right place—virtually anywhere

Two-thirds of the U.S. population lives within small-cell distance of these overhead utility lines so the strand mount instantly provides access to the densest user environments. Plus, mounting to utility lines means power and fiber backhaul are easily provisioned.

The rugged, weatherproof design of CommScope's patented strand mount means it can withstand the rigors and variables of this kind of deployment. It's modular, customizable and flexible, and also simplifies inventory management, so deployments are quicker and more economical—and your 4G or 5G small cell network can expand to meet demand wherever it's needed.

## The strand mount difference

- **Patented Modular, multi-size design options suit virtually any deployment site**
- **Adapts to work with various site equipment designs**
- **Easy to install and maintain**
- **Low profile and easy to permit**
- **Available from many manufacturing locations, in large quantities and with short lead times**
- **Shipped in flat packs—making them easy to stock**

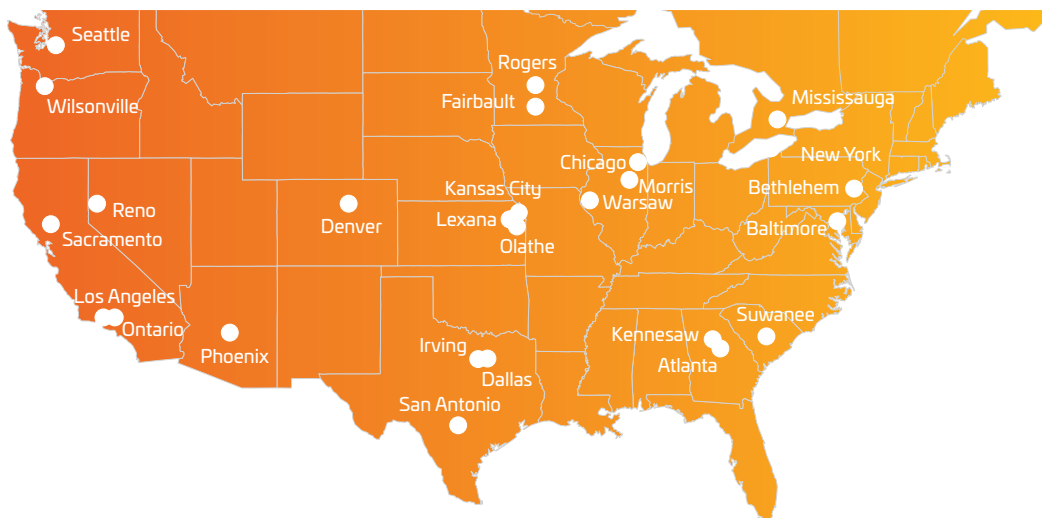
## Ordering information

CommScope builds innovative solutions like the strand mount all over the world, so it's easier to customize, order and stock—all with the promise of consistent CommScope quality in construction and materials. You can count on CommScope to provide the right solution at the right time—and in the right quantities—so your small cell network can grow the way it needs to.

**To learn more about the strand mount small cell solution, customization and pricing, please contact your CommScope representative.**

**For patents, see [www.cs-pat.com](http://www.cs-pat.com)**

## CommScope Distributor Locations



**TALLEY**

**T** tessco

**PRIMUS**

**KGPCo**

[commscope.com](http://commscope.com) Visit our website or contact your local CommScope representative for more information.

© 2023 CommScope, Inc. All rights reserved. CommScope and the CommScope logo are registered trademarks of CommScope and/or its affiliates in the U.S. and other countries. For additional trademark information see <https://www.commscope.com/trademarks>. All product names, trademarks and registered trademarks are property of their respective owners. This document is for planning purposes only and is not intended to modify or supplement any specifications or warranties relating to CommScope products or services. CommScope is committed to the highest standards of business integrity and environmental sustainability, with a number of CommScope's facilities across the globe certified in accordance with international standards, including ISO 9001, TL 9000, and ISO 14001. Further information regarding CommScope's commitment can be found at [www.commscope.com/corporate-responsibility-and-sustainability](http://www.commscope.com/corporate-responsibility-and-sustainability).