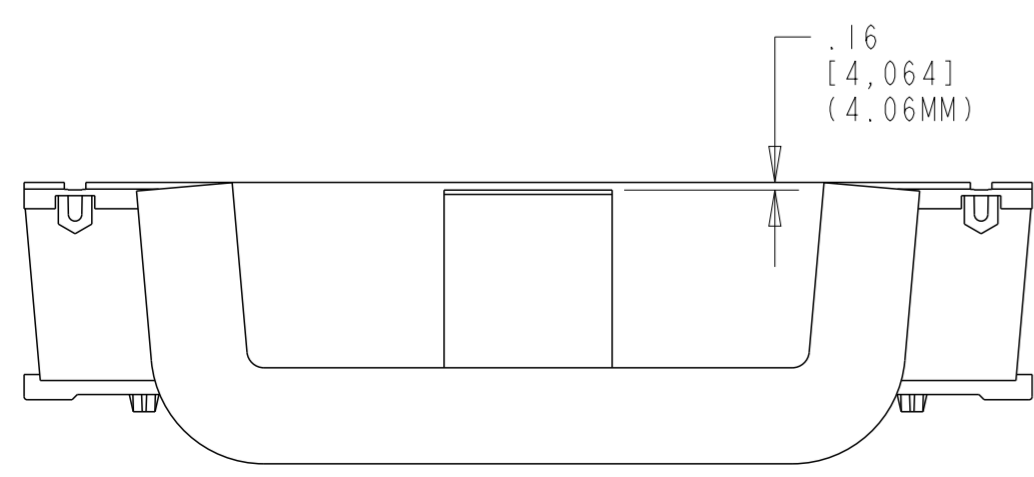
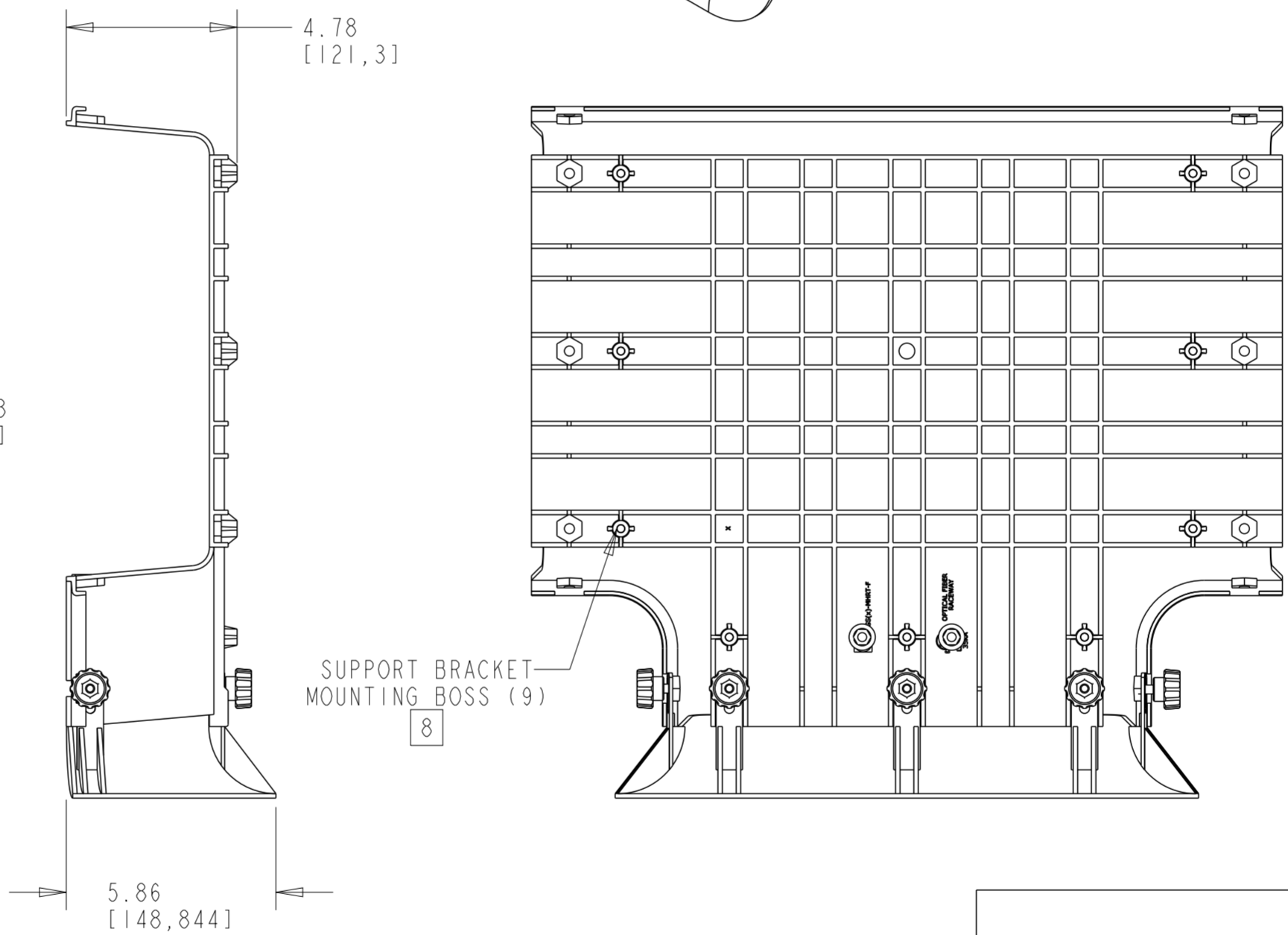
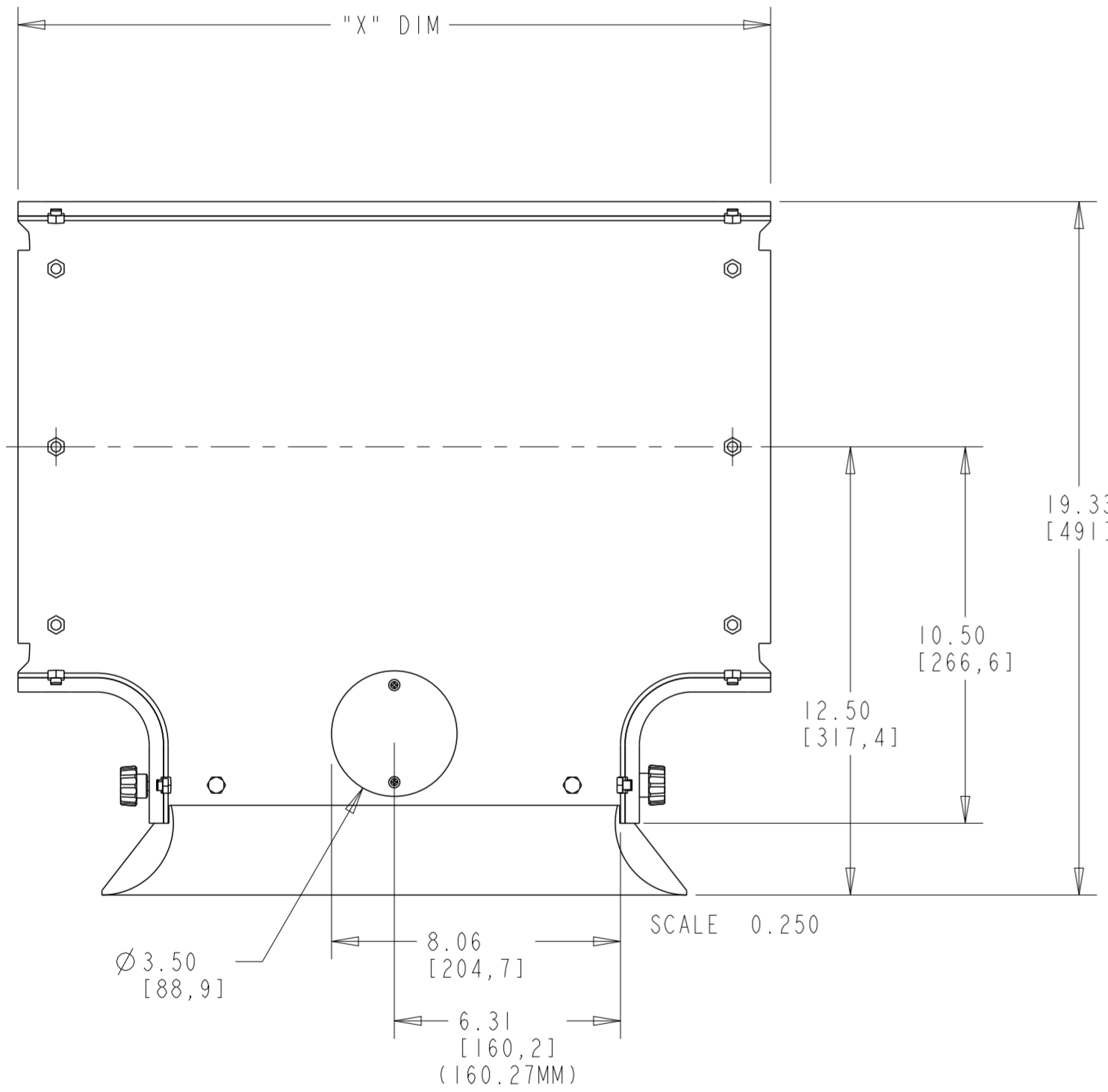
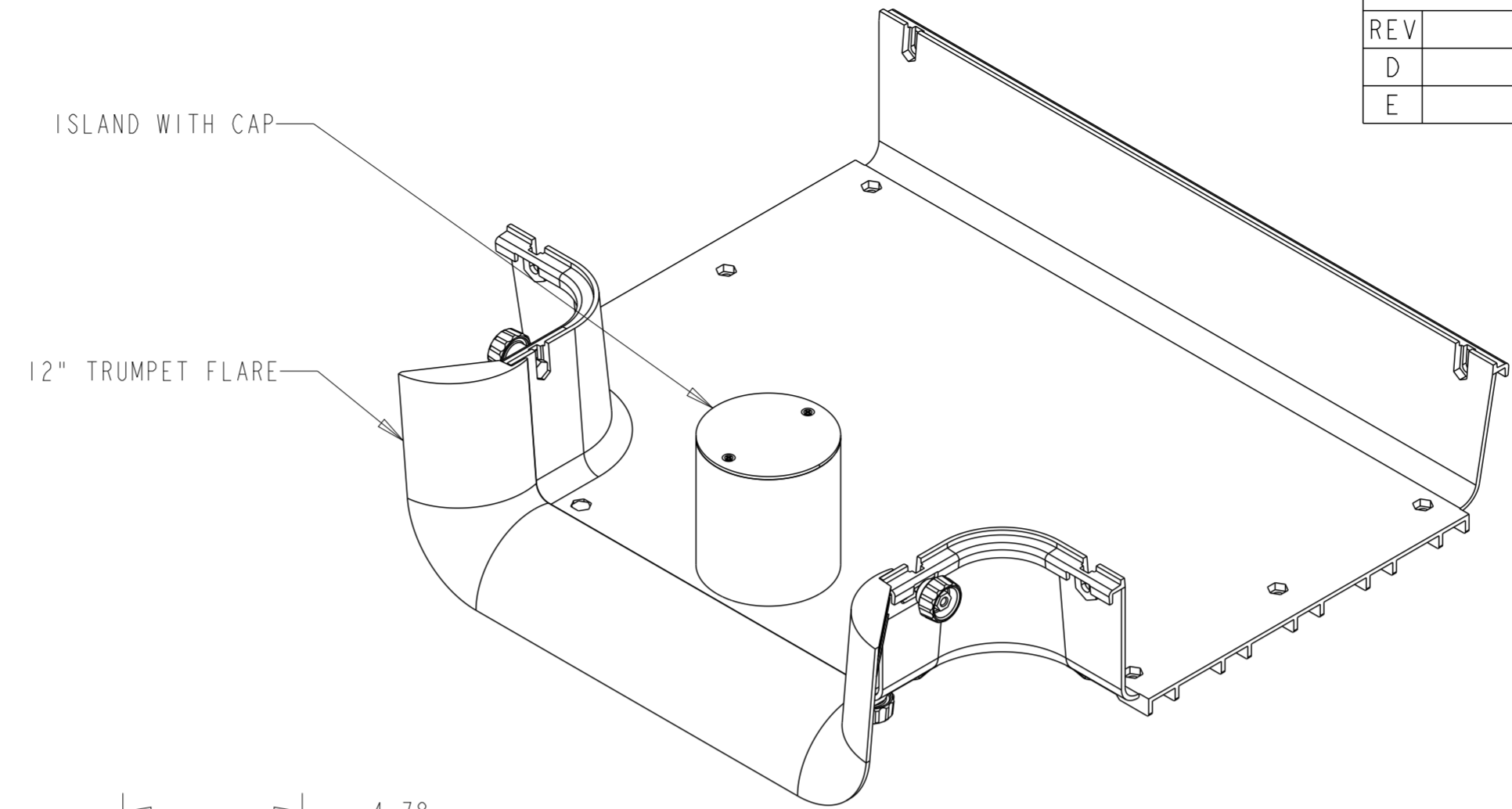


REVISIONS			
REV	DESCRIPTION	DATE	APPROVED
D	20265718	16-JUN-09	GCC
E	40107371CMO	05-MAR-2020	MAM



**NOTES:**

1. KIT INCLUDES THE FOLLOWING:
  - (1) 12"FGS TEE/ISLAND KIT ASSEMBLY, COMPRISED OF THE FOLLOWING:
    - (1) 12" TEE
    - (1) MOUNTED ISLAND
    - (1) ISLAND MOUNT BRACKET AND COVER
    - (1) ASSEMBLED TRUMPET FLARE
  - (1) ASSEMBLED MOUNTING BRACKETS

<b>FGSB-ISLAND-F-513</b>	20.20" / 513MM	BLACK
<b>FGSB-ISLAND-F</b>	20.99" / 533MM	BLACK
<b>FGSO-ISLAND-F</b>	20.99" / 533MM	ORANGE
<b>FGS-ISLAND-F</b>	20.99" / 533MM	YELLOW
<b>FGS-ISLAND-F-513</b>	20.20" / 513MM	YELLOW
<b>CATALOG NUMBER</b>	<b>"X" WIDTH REF</b>	<b>COLOR</b>

COMMSCOPE, INC.										
TOLERANCES					SAP MATERIAL MASTER					
N/A										
FINISH					MATERIAL					
SEE NOTES					SEE BOM					
UNLESS OTHERWISE SPECIFIED DIMENSIONS ARE IN INCHES	DRAFTER			TITLE						
	MIGUEL MUÑOZ			ISLAND KIT, 12" FGS TEE INSTALLATION DRAWING						
	CHECKER			SIZE		SCALE		DOCUMENT NO.		
	OSCAR VALENZUELA			A2		0.275		1250729_ADC		
ENGINEER			CMO							
RUBEN ARVILLA			40107371CMO							
ALL SURFACES		WORK AREA: ***		MODEL		DRAWING		SHEET		
✓		[Symbol]		VERSION		STATUS		REVISION		
				***		01		RE E		
								1 OF 4		

© 2020 CommScope, Inc. Confidential  
 NOTICE: These drawings and specifications are the proprietary property of COMMSCOPE, INC. and may be used only for the specific purpose authorized in writing by COMMSCOPE, INC.

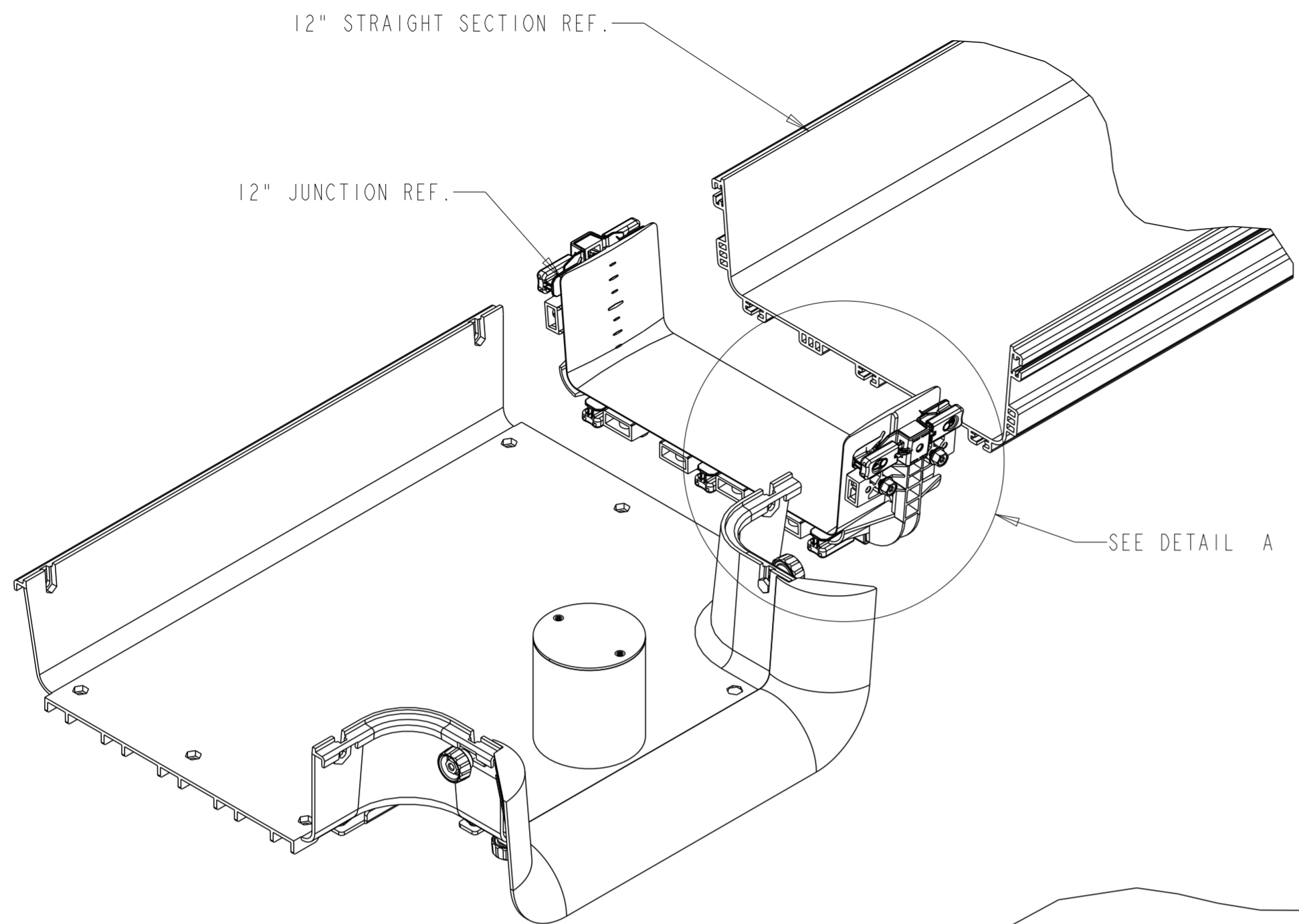
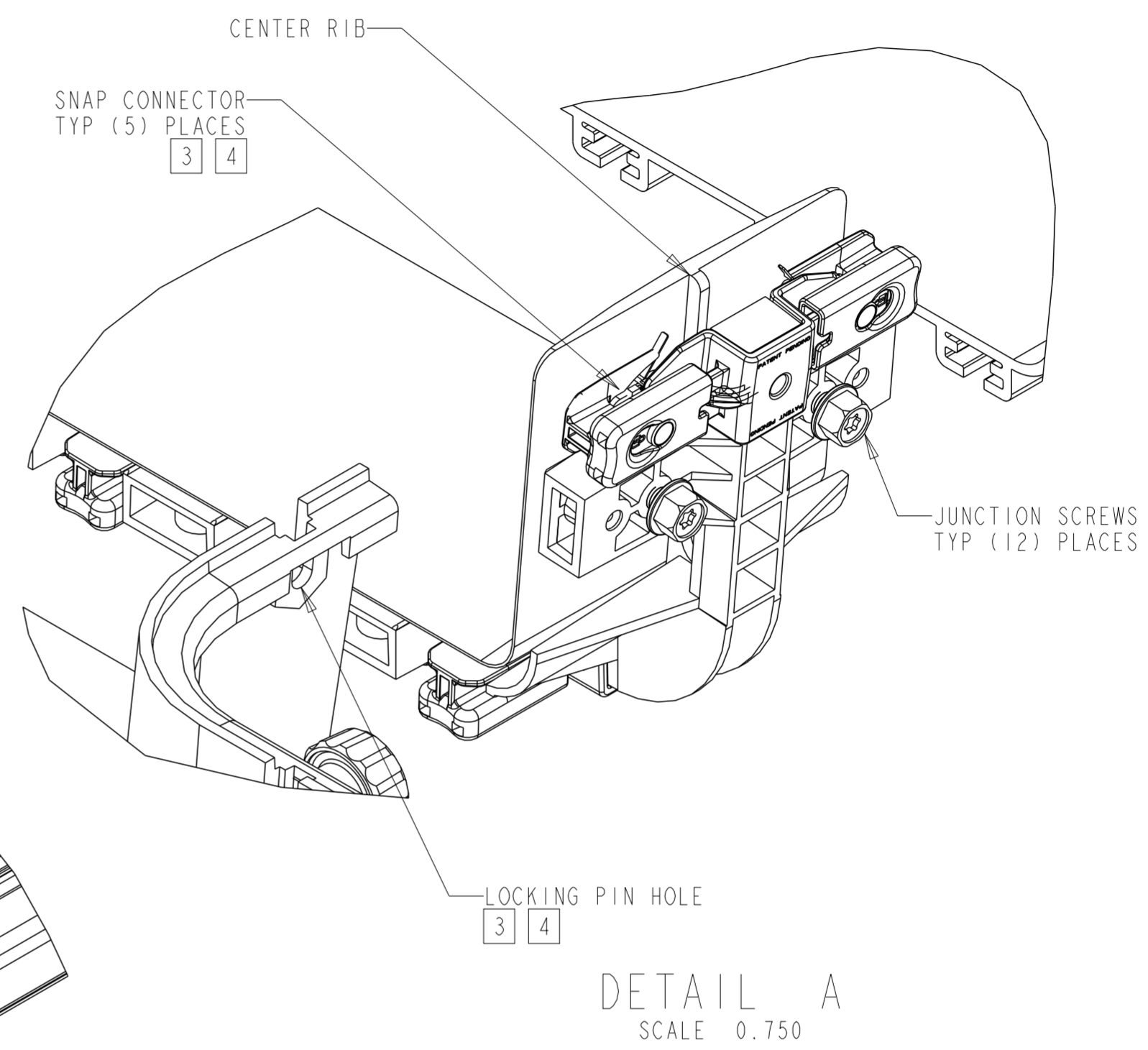


FIGURE 1



DETAIL A  
SCALE 0.750

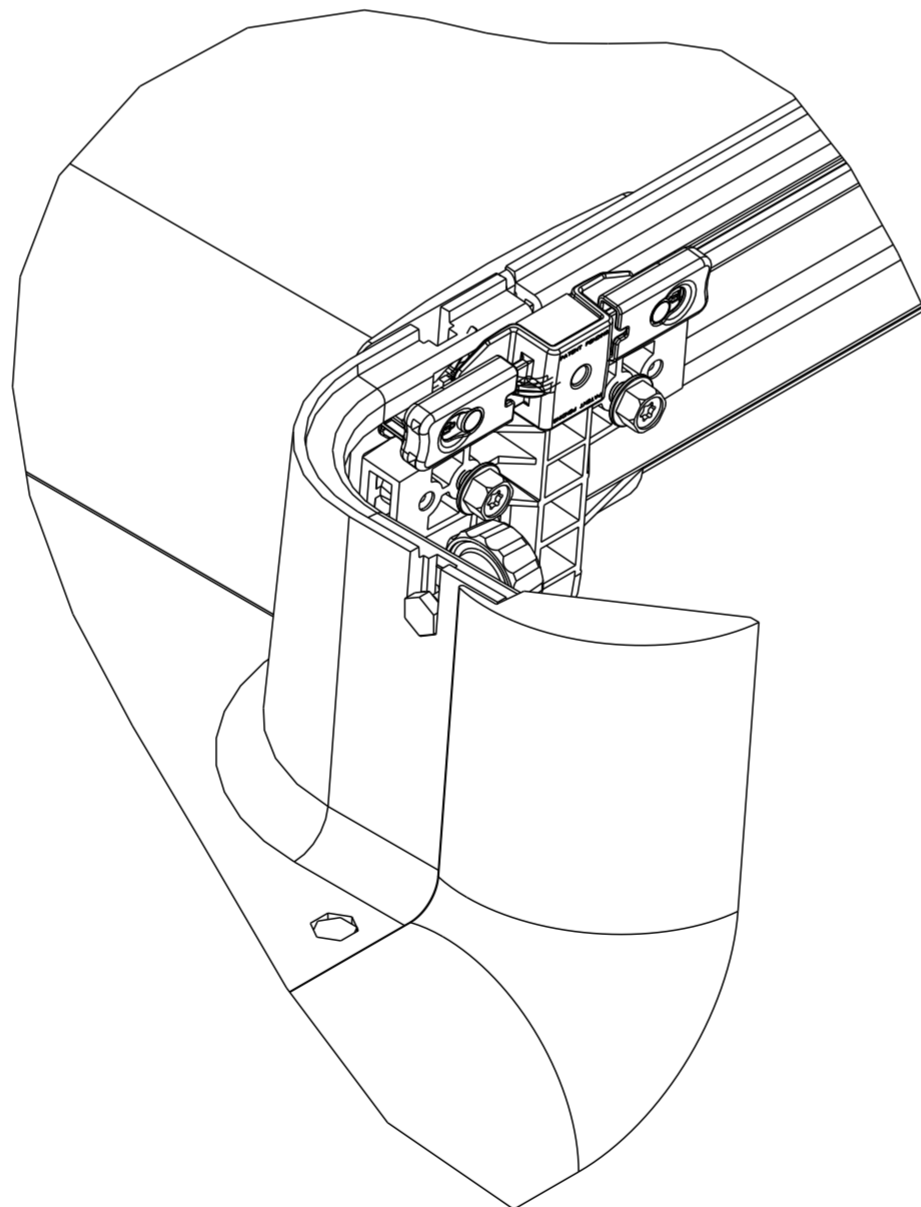


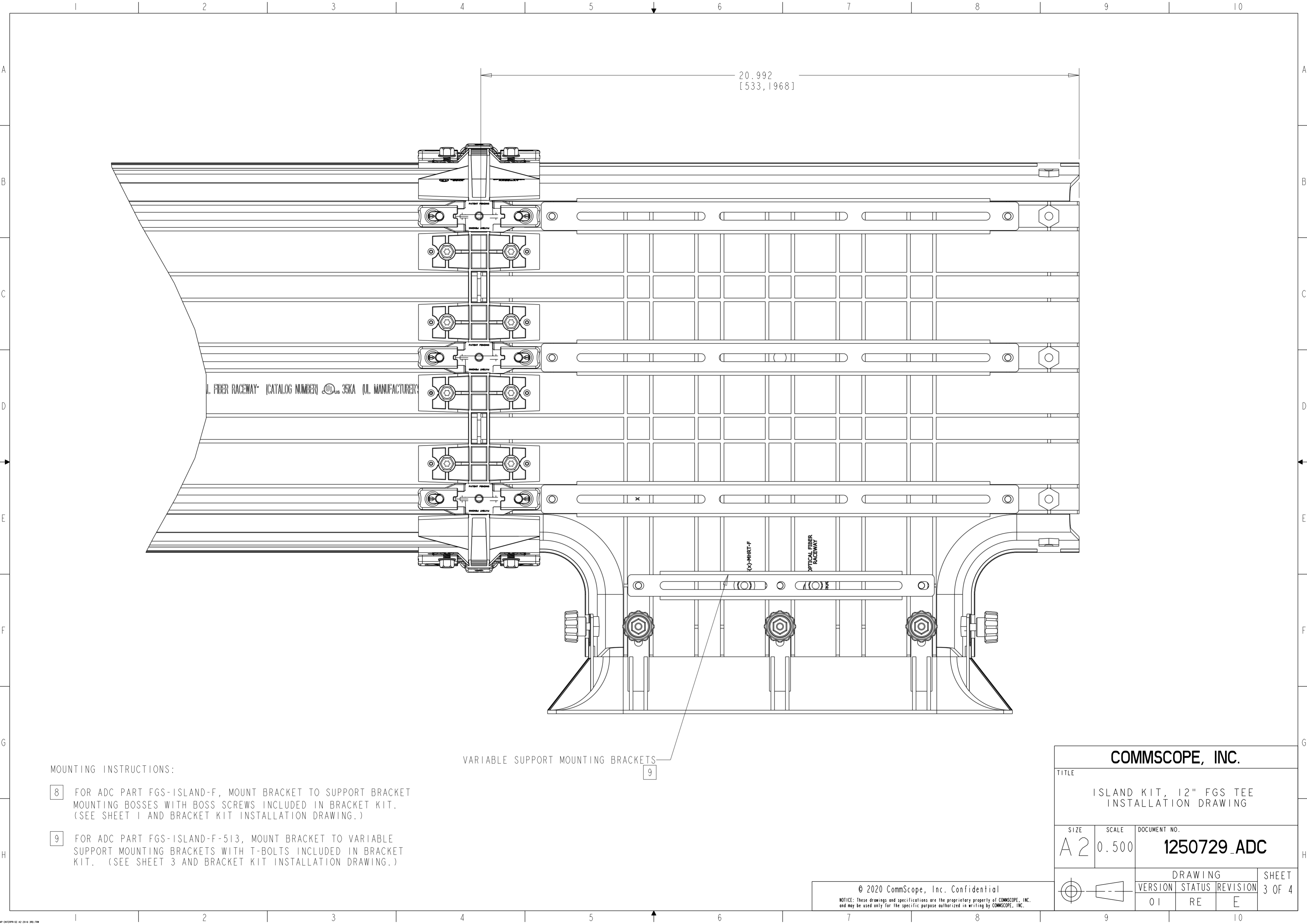
FIGURE 2  
COMPLETED ASSEMBLY  
SCALE 0.500

ASSEMBLY INSTRUCTIONS:

2. SLIDE ONE EXIT OF THE TEE KIT INTO JUNCTION UNTIL FIRMLY SEATED AGAINST THE CENTER RIB. (SEE FIGURE 2).
- 3 ENSURE LOCKING PINS ON SNAP CONNECTOR ARE ENGAGED IN HOLES IN TEE. (SEE FIGURE 2). ONLY APPLICABLE WITH ADC PART FGS-ISLAND-F.
- 4 SNAP CONNECTORS WILL NOT ENGAGE IN HOLES IN TEE FOR ADC PART FGS-ISLAND-F-513.
5. SLIDE THE 12" FIBERGUIDE STRAIGHT SECTION INTO THE JUNCTION UNTIL FIRMLY SEATED AGAINST THE CENTER RIB.
6. TIGHTEN THE (12) JUNCTION SCREWS SUCH THAT THE WASHER HEAD ON THE SCREW IS APPROXIMATELY 1/16" (1.6MM) FROM THE JUNCTION SUPPORT ARM. (SEE DETAIL A). AFTER ALL SCREWS HAVE BEEN TIGHTENED IN THIS MANNER, TIGHTEN ALL SCREWS UNTIL THE WASHER HEAD BOTTOMS OUT.
7. REPEAT ABOVE NOTES FOR THE OTHER EXIT OF THE TEE.

<b>COMMSCOPE, INC.</b>				
TITLE ISLAND KIT, 12" FGS TEE INSTALLATION DRAWING				
SIZE A2	SCALE 0.250	DOCUMENT NO. <b>1250729_ADC</b>		
DRAWING				SHEET
VERSION STATUS REVISION				2 OF 4
01 RE E				

© 2020 CommScope, Inc. Confidential  
 NOTICE: These drawings and specifications are the proprietary property of COMMSCOPE, INC. and may be used only for the specific purpose authorized in writing by COMMSCOPE, INC.



20.992  
[533,1968]

UL FIBER RACEWAY (CATALOG NUMBER) 35KA (UL MANUFACTURER)

ISLAND-F  
OPTICAL FIBER RACEWAY

VARIABLE SUPPORT MOUNTING BRACKETS

9

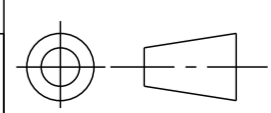
MOUNTING INSTRUCTIONS:

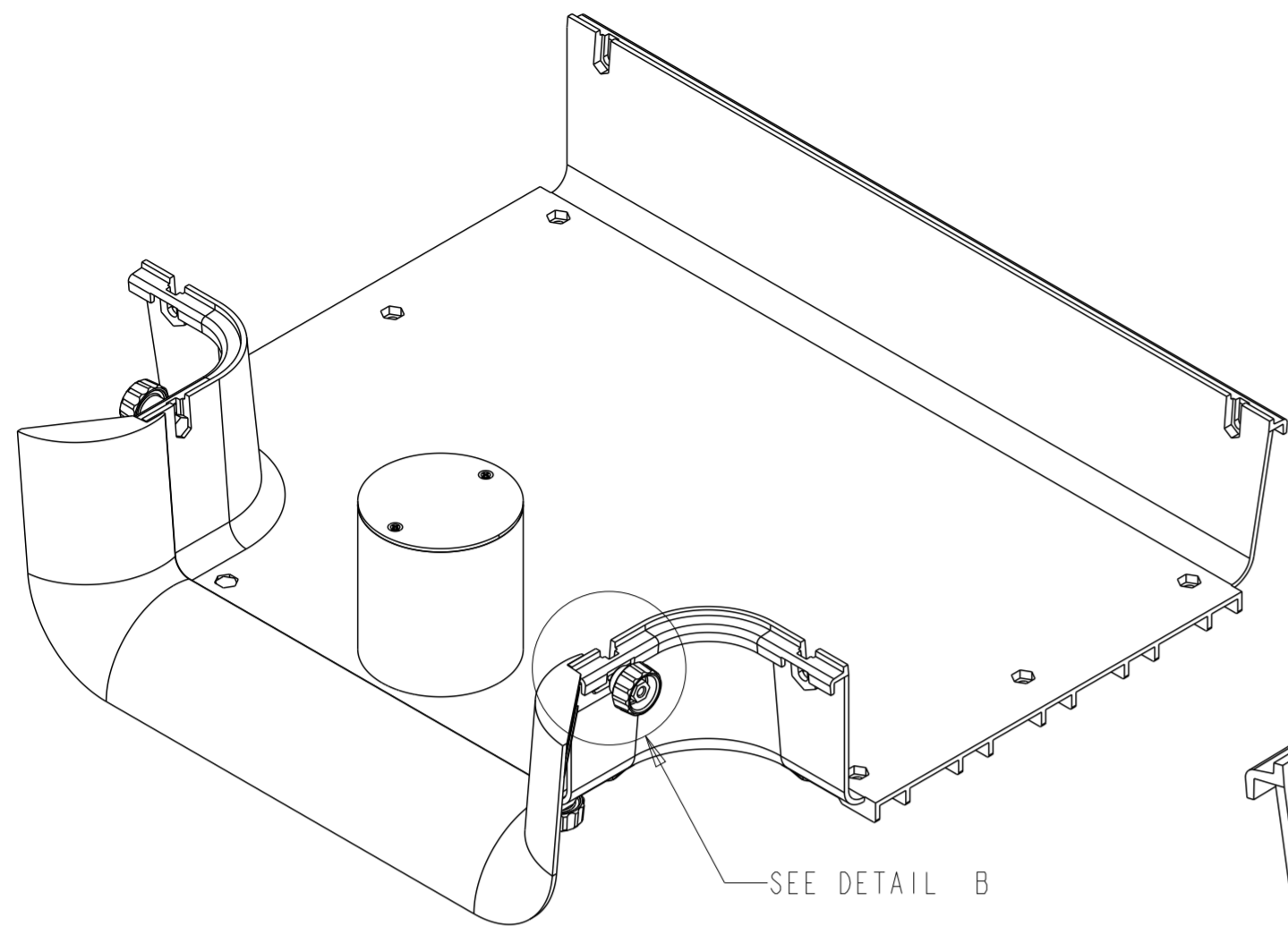
- 8 FOR ADC PART FGS-ISLAND-F, MOUNT BRACKET TO SUPPORT BRACKET MOUNTING BOSSES WITH BOSS SCREWS INCLUDED IN BRACKET KIT. (SEE SHEET 1 AND BRACKET KIT INSTALLATION DRAWING.)
- 9 FOR ADC PART FGS-ISLAND-F-513, MOUNT BRACKET TO VARIABLE SUPPORT MOUNTING BRACKETS WITH T-BOLTS INCLUDED IN BRACKET KIT. (SEE SHEET 3 AND BRACKET KIT INSTALLATION DRAWING.)

COMMSCOPE, INC.

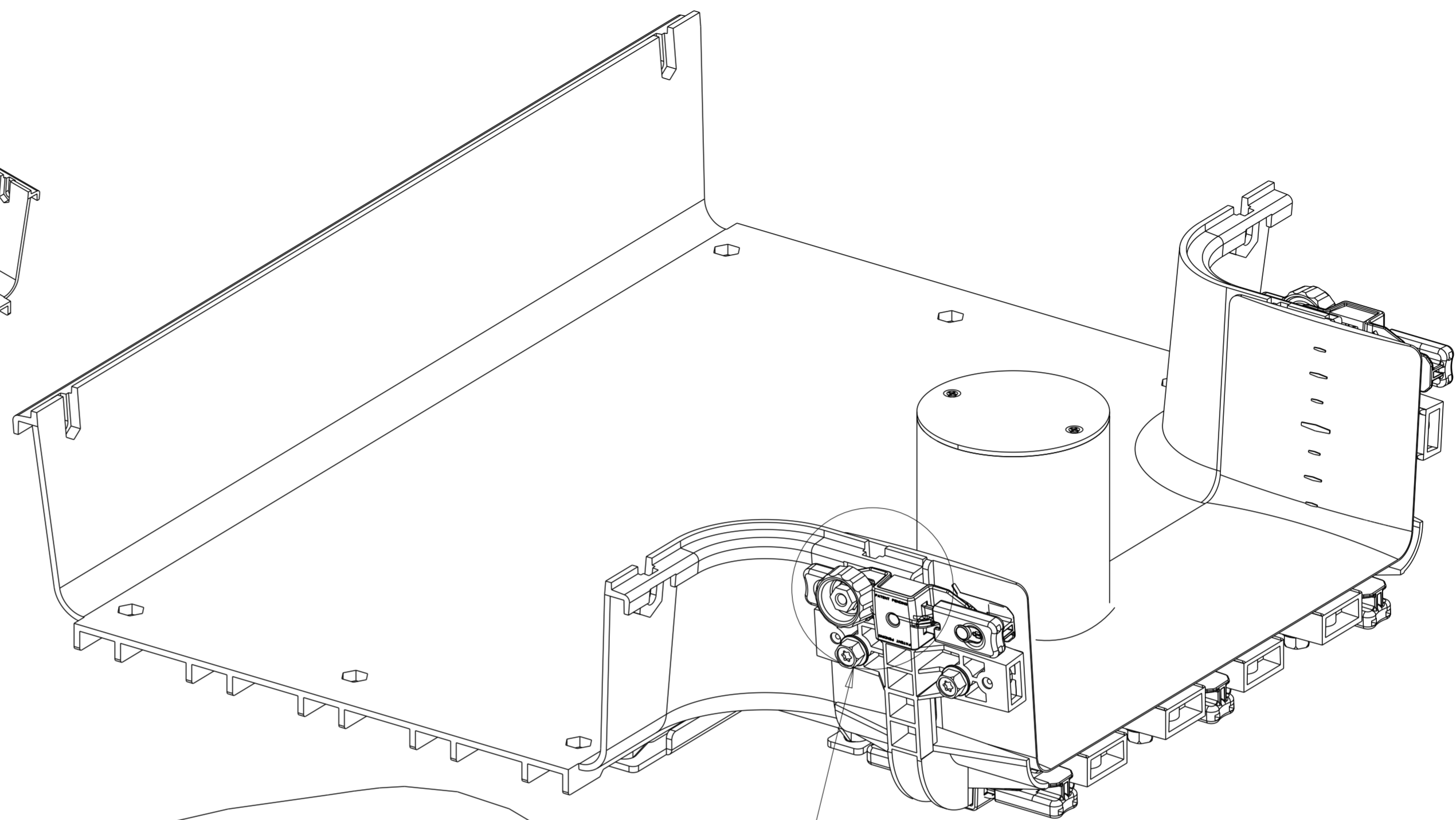
TITLE			
ISLAND KIT, 12" FGS TEE INSTALLATION DRAWING			
SIZE	SCALE	DOCUMENT NO.	
A2	0.500	1250729_ADC	
DRAWING			SHEET
VERSION	STATUS	REVISION	3 OF 4
01	RE	E	

© 2020 CommScope, Inc. Confidential  
 NOTICE: These drawings and specifications are the proprietary property of COMMSCOPE, INC. and may be used only for the specific purpose authorized in writing by COMMSCOPE, INC.

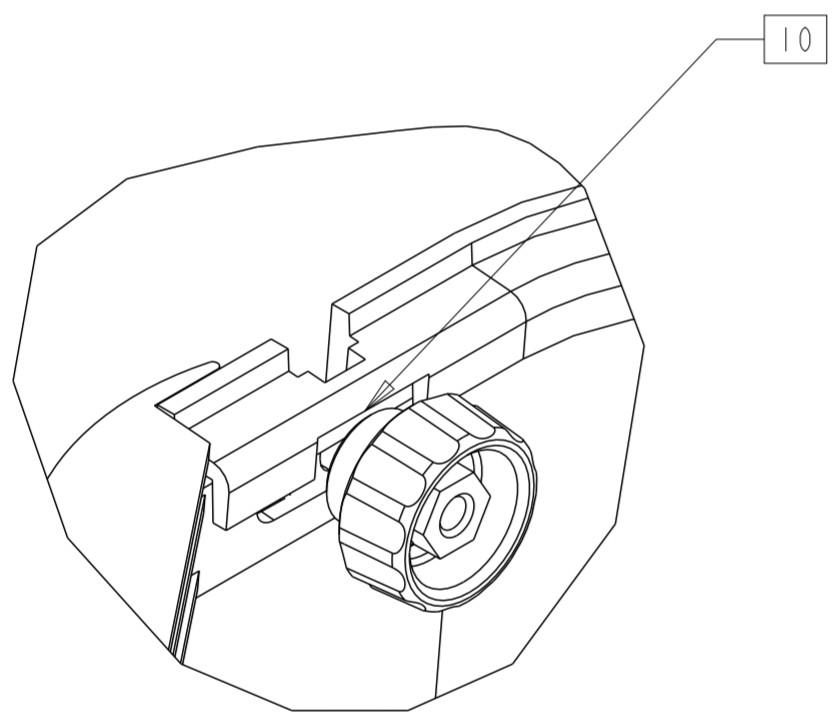




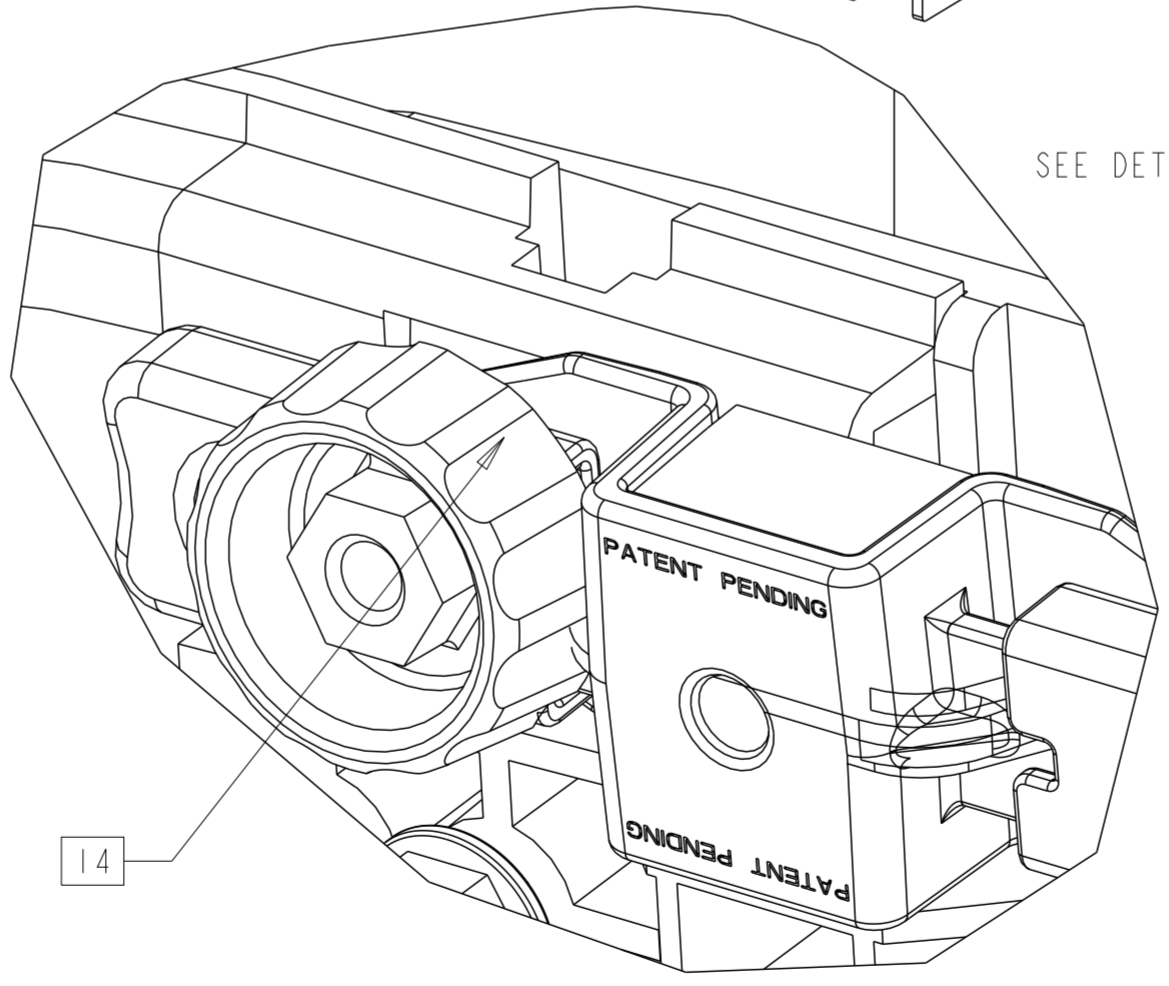
SEE DETAIL B



SEE DETAIL C



DETAIL B  
SCALE 1.000



DETAIL C  
SCALE 2.000

JUNCTION INSTALLATION (OPTIONAL):

- 10 REMOVE HEX NUTS, RETAINING WASHERS, AND HEX BOLTS SECURING TRUMPET FLARE TO TEE.
- 11. REMOVE TRUMPET FLARE.
- 12. LOOSEN HEX NUTS SECURING ISLAND TO TEE FITTING.
- 13. SLIDE FGS JUNCTION (FGS-JUNC-F) ONTO EXIT OF TEE FITTING AND UNDER ISLAND ASSEMBLY UNTIL FIRMLY SEATED AGAINST THE CENTER RIB.
- 14 ENSURE LOCKING PINS ON SNAP CONNECTOR ARE ENGAGED IN HOLES IN TEE.
- 15. TIGHTEN THE JUNCTION SCREWS PER NOTE 6.
- 16. TIGHTEN HEX NUTS SECURING ISLAND TO TEE FITTING COMPLETELY.

<b>COMMSCOPE, INC.</b>			
TITLE ISLAND KIT, 12" FGS TEE INSTALLATION DRAWING			
SIZE A2	SCALE 0.275	DOCUMENT NO. <b>1250729_ADC</b>	
DRAWING			SHEET
VERSION 01	STATUS RE	REVISION E	4 OF 4

© 2020 CommScope, Inc. Confidential  
 NOTICE: These drawings and specifications are the proprietary property of COMMSCOPE, INC. and may be used only for the specific purpose authorized in writing by COMMSCOPE, INC.