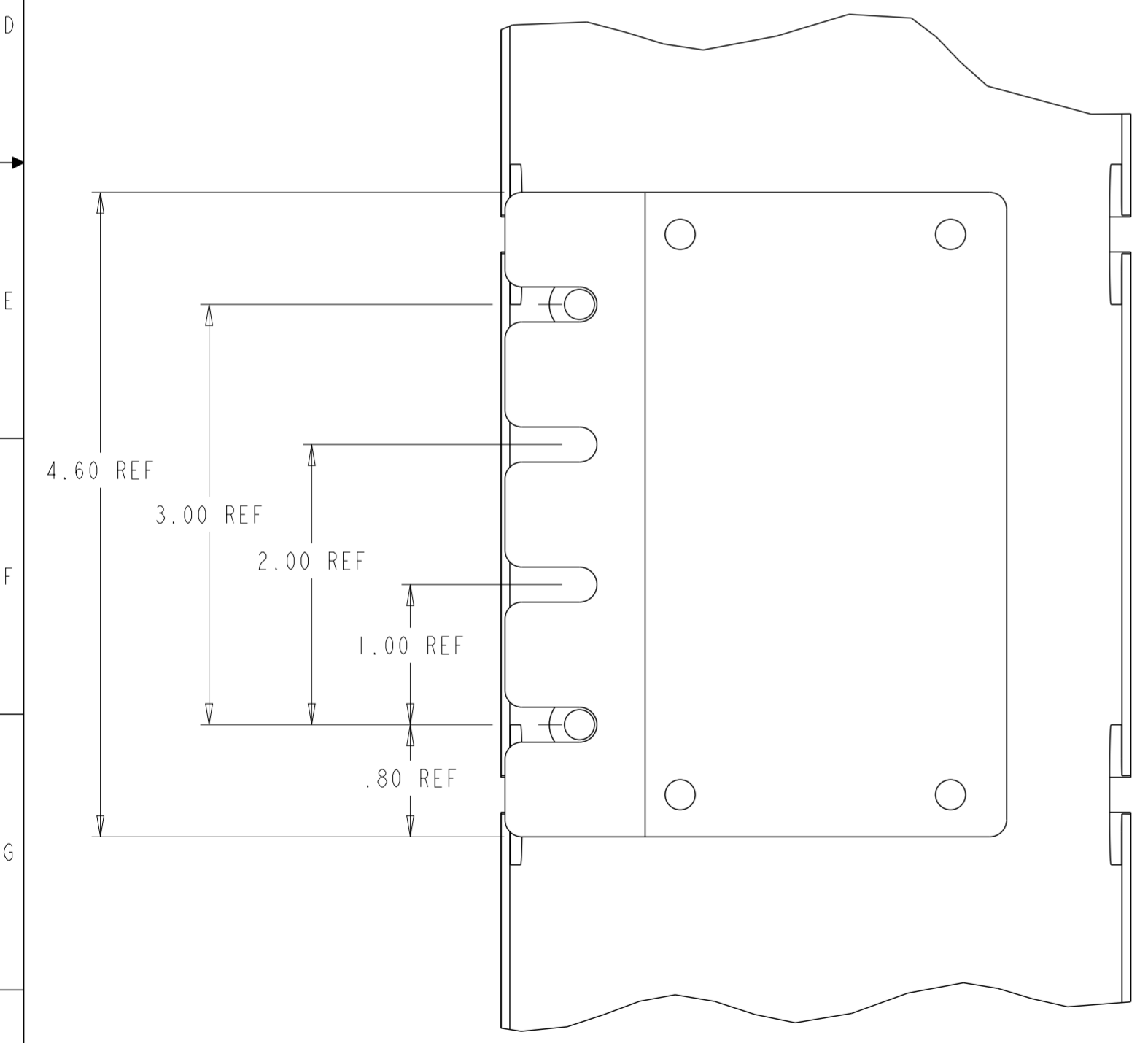
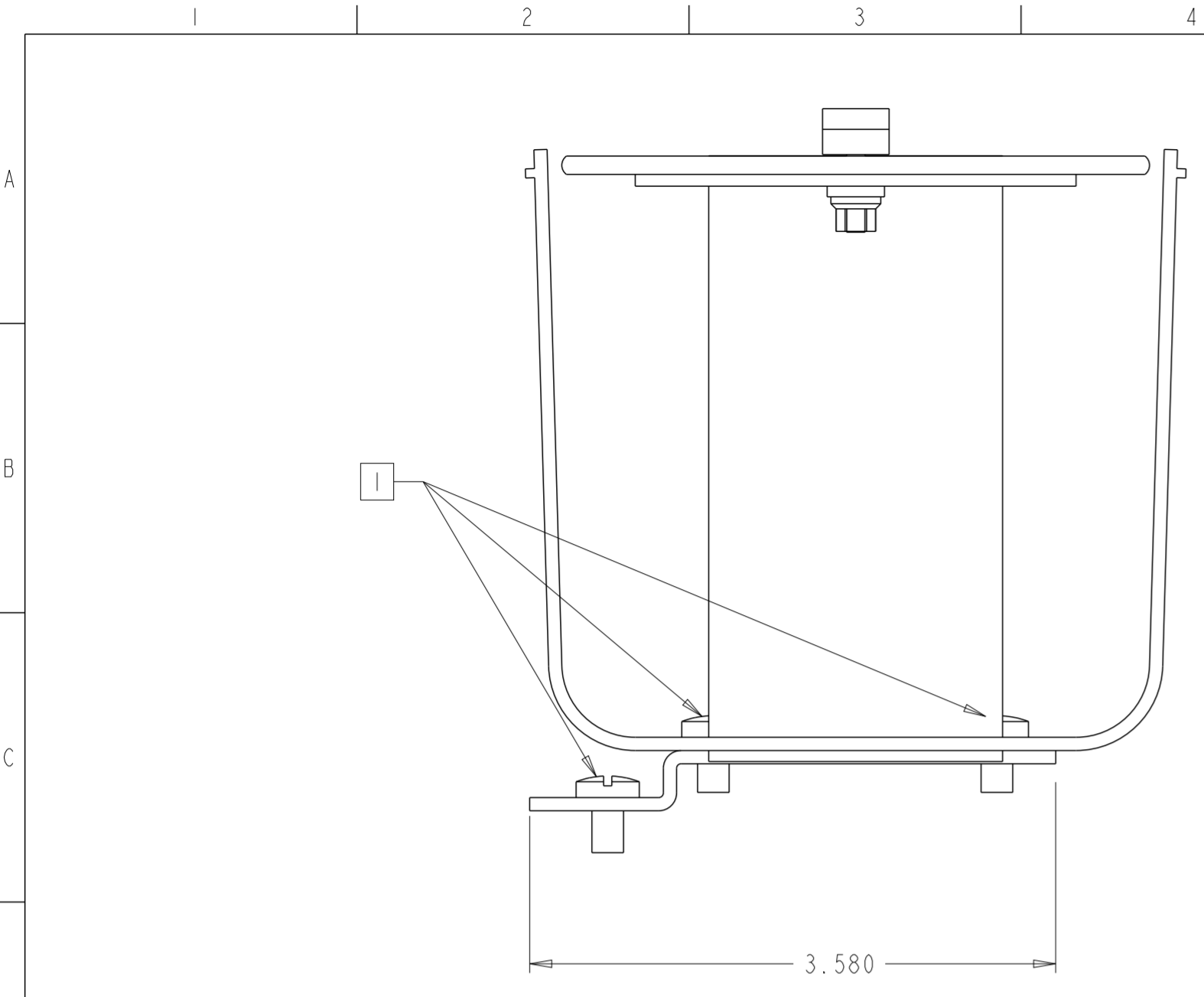


REVISIONS			
REV	CMO	DATE	APPROVED
C	20255333	16-DEC-08	DGS
D	40105522CMO	17-FEB-20	RAT



NOTES:
 1 #12 SCREW AND WASHER.

FIGURE 1
 4X4 VERTICAL DUCT W/
 WECO MOUNTING BRACKETS

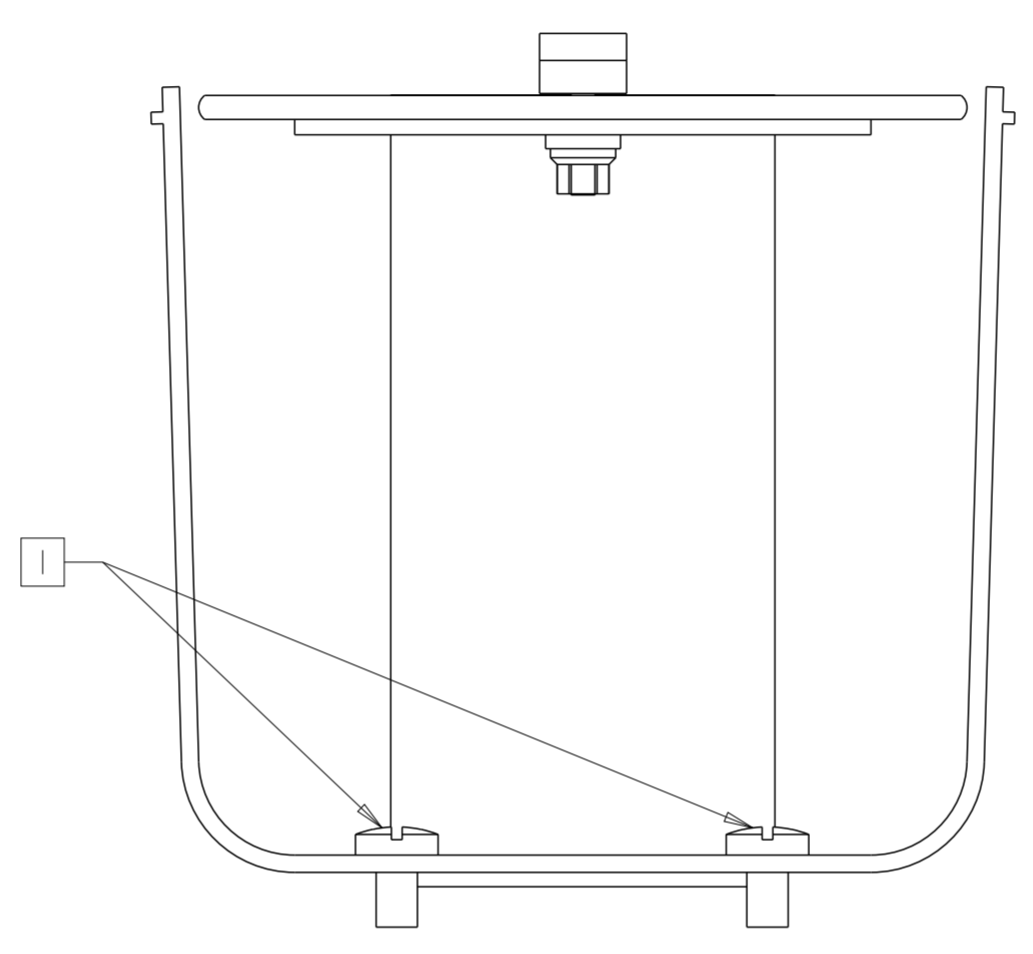
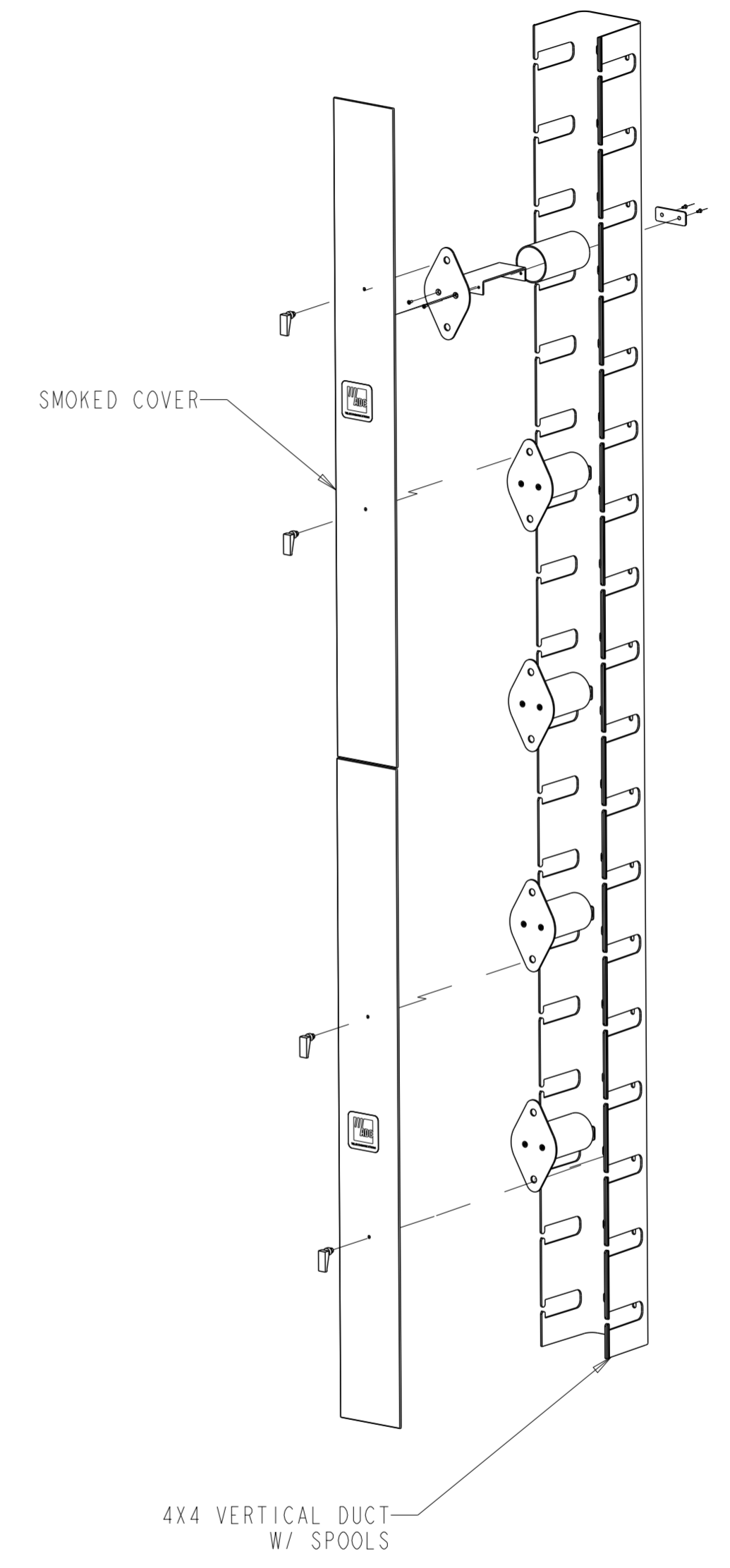


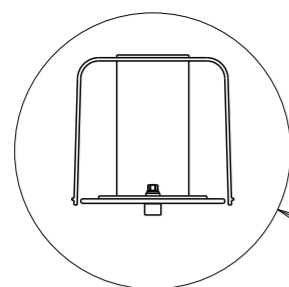
FIGURE 2
 4X4 VERTICAL DUCT MOUNTED
 DIRECTLY TO RACK

ITEMS INCLUDED IN KIT	
QTY	DESCRIPTION
1	4X4 VERTICAL DUCT W/ SPOOLS
2	SMOKED COVER
6	GROMMET STRIPS
4	WECO MOUNTING BRACKETS
24	#12 X 1/2 SCREWS
24	#12 FLAT WASHERS
4	LATCH, SWELL, HANDLE

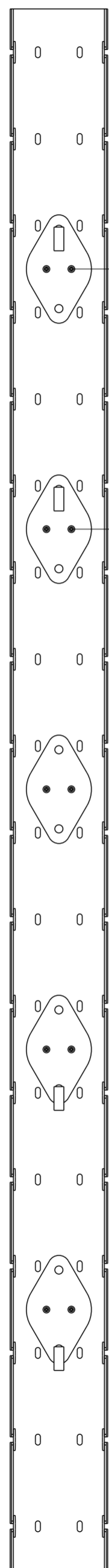


FGS-KTW2-D-IMP-B	YELLOW
CATALOG	COLOR

COMMSCOPE, INC.			
DRAFTER F. DOMINGUEZ		TITLE 4X4 VERTICAL FGS, W/SPOOLS INSTLL DWG	
ENGINEER J. GABRIEL NERI		SIZE A2	SCALE 0.050
		DOCUMENT NO. 1345070_ADC	
CUSTOMER DRAWING			REVISION D
			SHEET 1 OF 2

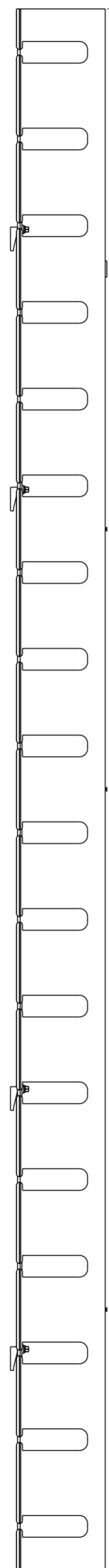


SEE DETAIL A

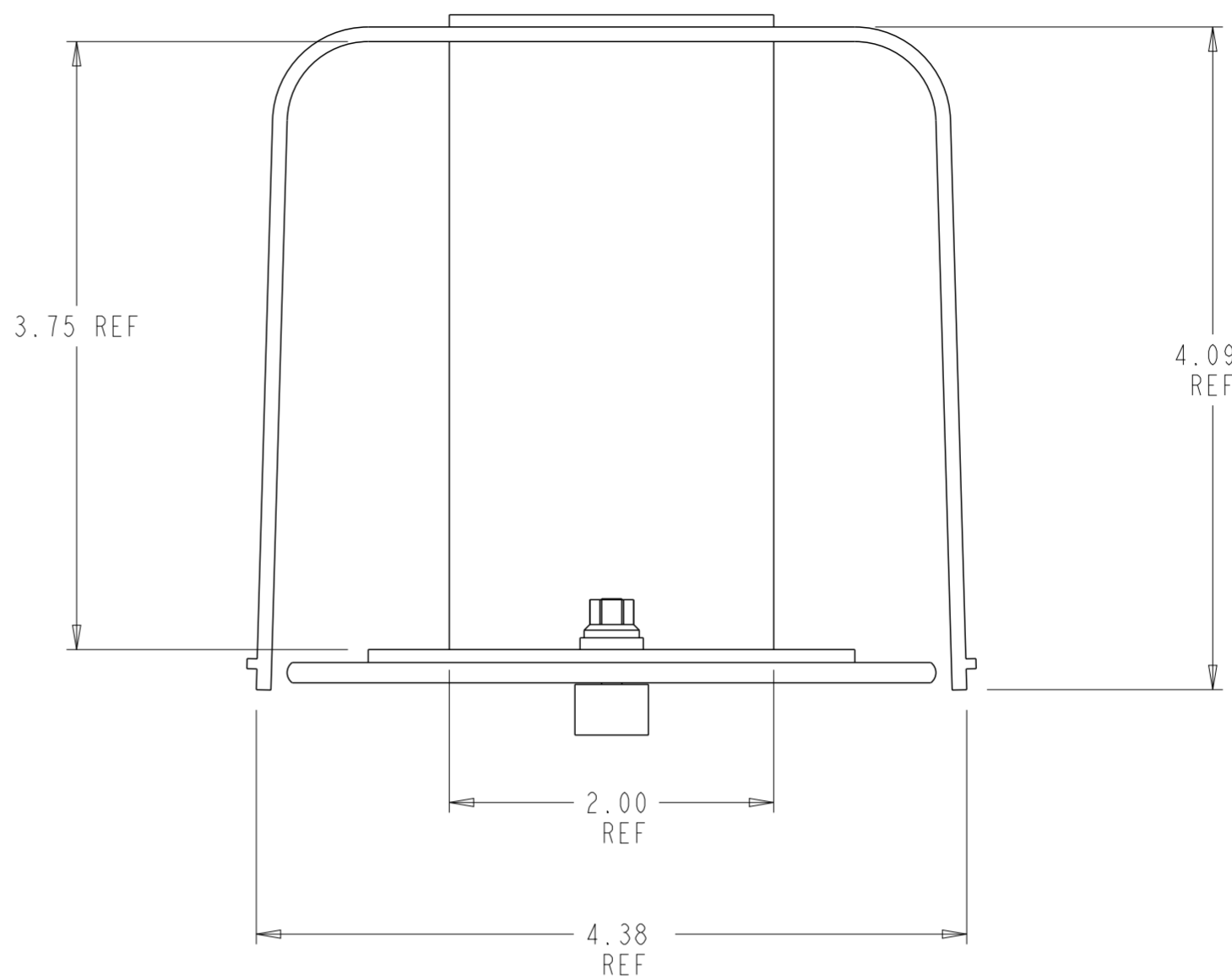


12.000 TYP REF

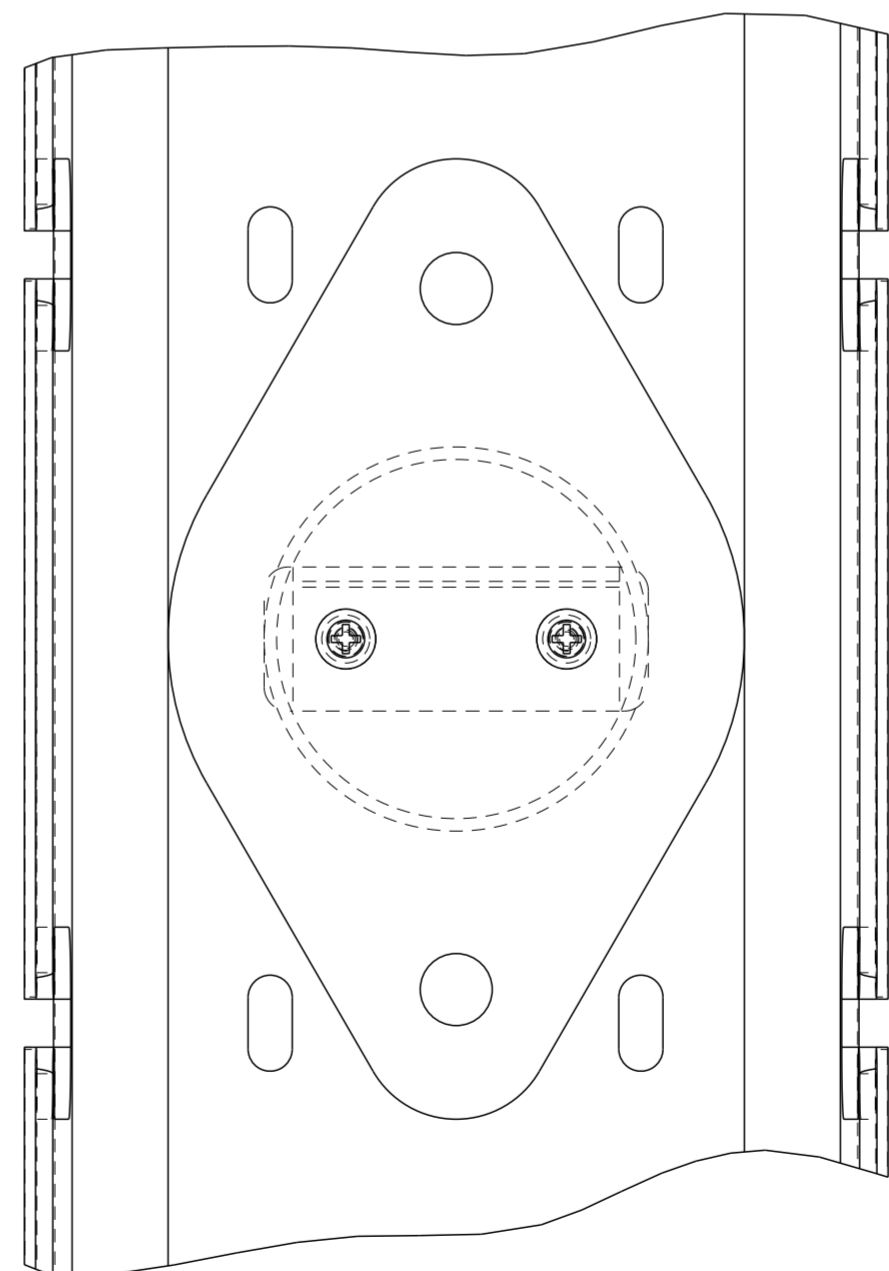
12.000 TYP REF



72.00 REF



DETAIL A
SCALE 1.00



COMMSCOPE, INC.			
DRAFTER F. DOMINGUEZ	TITLE 4X4 VERTICAL FGS, W/SPOOLS INSTLL DWG		
ENGINEER J. GABRIEL NERI	SIZE A2	SCALE 0.150	DOCUMENT NO. 1345070_ADC
CUSTOMER DRAWING			REVISION D
			SHEET 2 OF 2