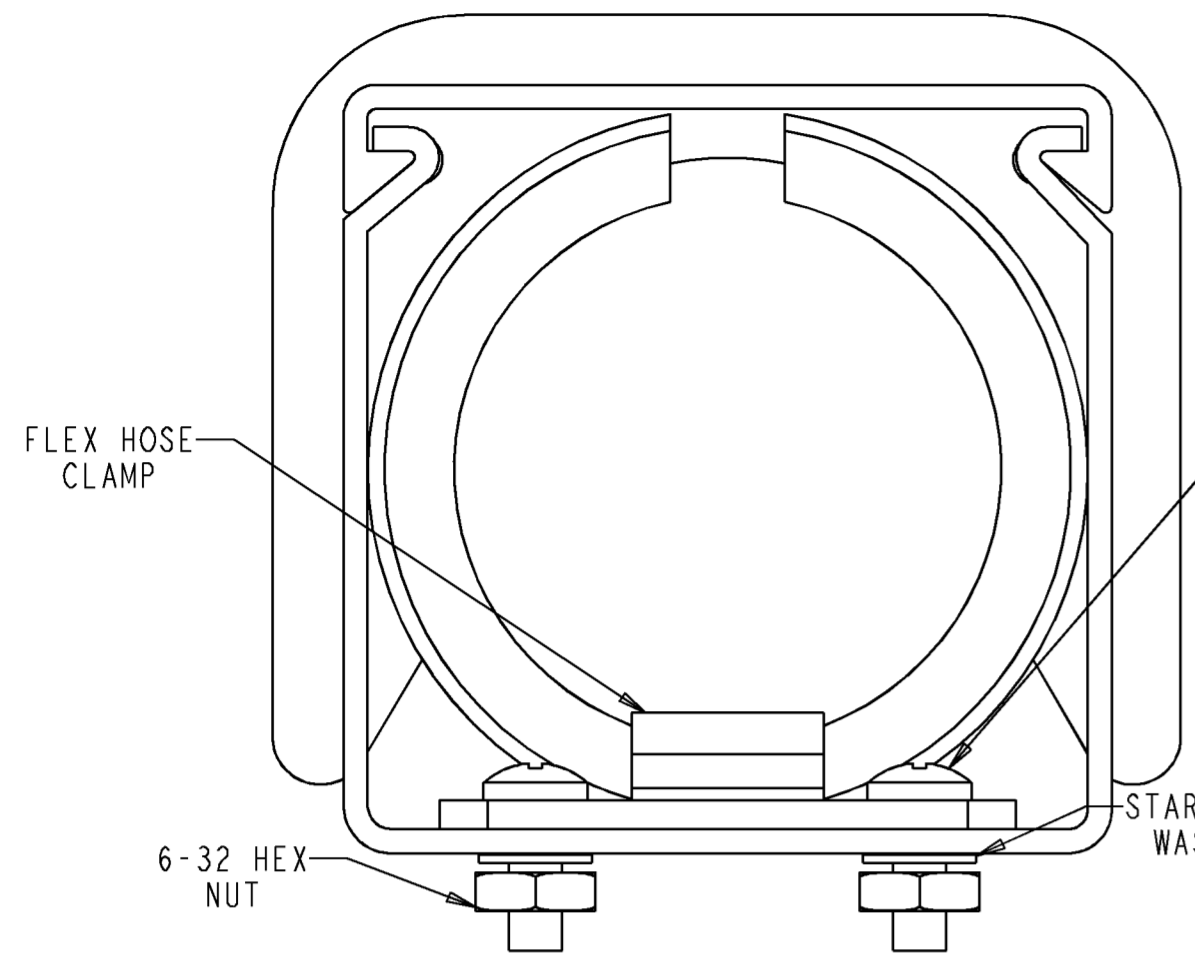
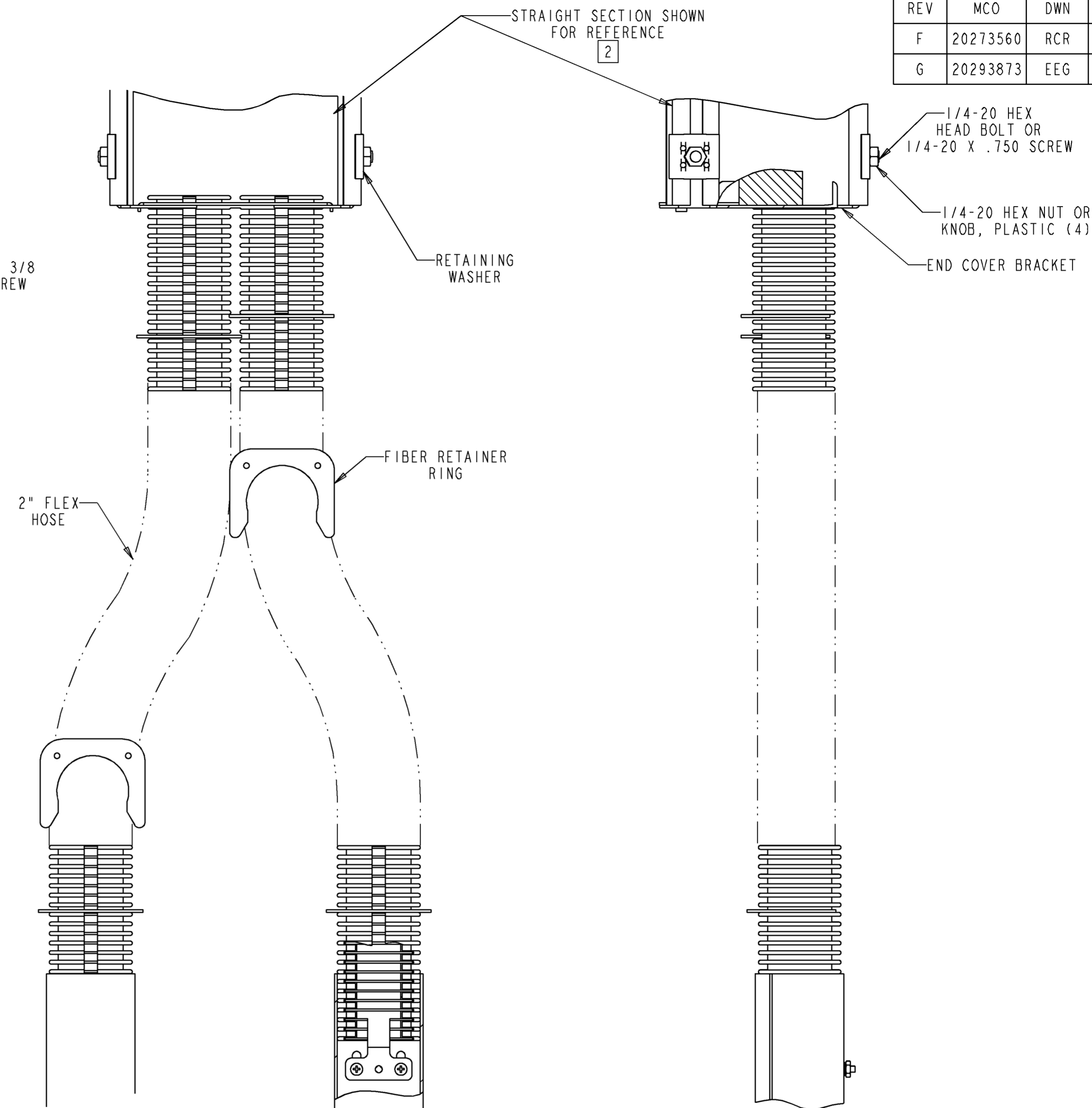


| REV | MCO | DWN | DATE |
|-----|----------|-----|-----------|
| F | 20273560 | RRC | 01-FEB-10 |
| G | 20293873 | EEG | 23-SEP-10 |



SECTION A
SCALE 2.000



NOTES:

1. ITEMS INCLUDED IN KIT ARE:

- (1) 4" END COVER
- (4) (SEE TAB) FLEX HOSES
- (12) FIBER RETAINER RINGS
- (4) FLEX HOSE CLAMPS
- (4) RETAINING WASHERS
- (4) 1/4-20 HEX HEAD BOLTS
- (4) 1/4-20 X .750 SCREW
- (4) 1/4-20 HEX NUTS
- (4) KNOB, PLASTIC
- (8) 6-32 X 3/8 PH SCREWS
- (8) 6-32 HEX NUTS
- (8) STAR LOCK WASHERS
- (1) END COVER BRACKET

2 KIT MAY BE USED ON STRAIGHT SECTIONS OR FITTINGS.

ASSEMBLY INSTRUCTIONS:

3. INSTALL (4) 1/4-20 HEX HEAD BOLTS OR 1/4-20 X .750 SCREW THROUGH HOLES IN TABS ON END COVER BRACKET.
4. SLIDE TABS OF END COVER BRACKET INTO T-CHANNELS OF STRAIGHT SECTION OR FITTING.
5. SECURE END COVER WITH SQUARE RETAINING WASHERS AND 1/4-20 HEX NUTS OR KNOB, PLASTIC.
6. INSTALL 2" FLEX TUBING INTO END COVER STARTING AT THE INNERMOST POSITIONS.
7. SLIDE T-SHAPED END COVER BRACKET BETWEEN FLEX TUBES UNTIL TABS MATE WITH SLOTS IN END COVER.
8. INSTALL FLEX HOSE CLAMPS (IF NECESSARY).
9. AFTER ADDING FIBER, CLOSE FLEX TUBING BY INSTALLING FIBER RETAINER RINGS AS SHOWN.

| FGSB-KT03-A4-15F | 15 FT | BLACK |
|------------------|-------------|--------|
| FGSB-KT03-A4-10F | 10 FT | BLACK |
| FGS-KT03-A4-10F | 10 FT | YELLOW |
| FGS-KT03-A4-15F | 15 FT | YELLOW |
| FGS-KT03-A4-5F | 5 FT | YELLOW |
| FGSB-KT03-A4-5F | 5 FT | BLACK |
| CATALOG NO. | HOSE LENGTH | COLOR |



INFORMATION ON THIS DOCUMENT IS PROPRIETARY TO ADC AND SHALL NOT BE USED, COPIED, REPRODUCED OR DISCLOSED IN WHOLE OR IN PART WITHOUT WRITTEN CONSENT OF ADC.

ALL DIMS AND TOLERANCES ARE INCHES UNLESS OTHERWISE SPECIFIED

DO NOT SCALE DRAWING

TITLE 4" FGS TO 4 HOSE APTR KIT INSTALL DRAWING

DRAWING NUMBER 1169223

ENGR: DEREK DERKS

DWN: CRAIG ZELASKO

C SIZE

G REV

SHT. 1 OF 2

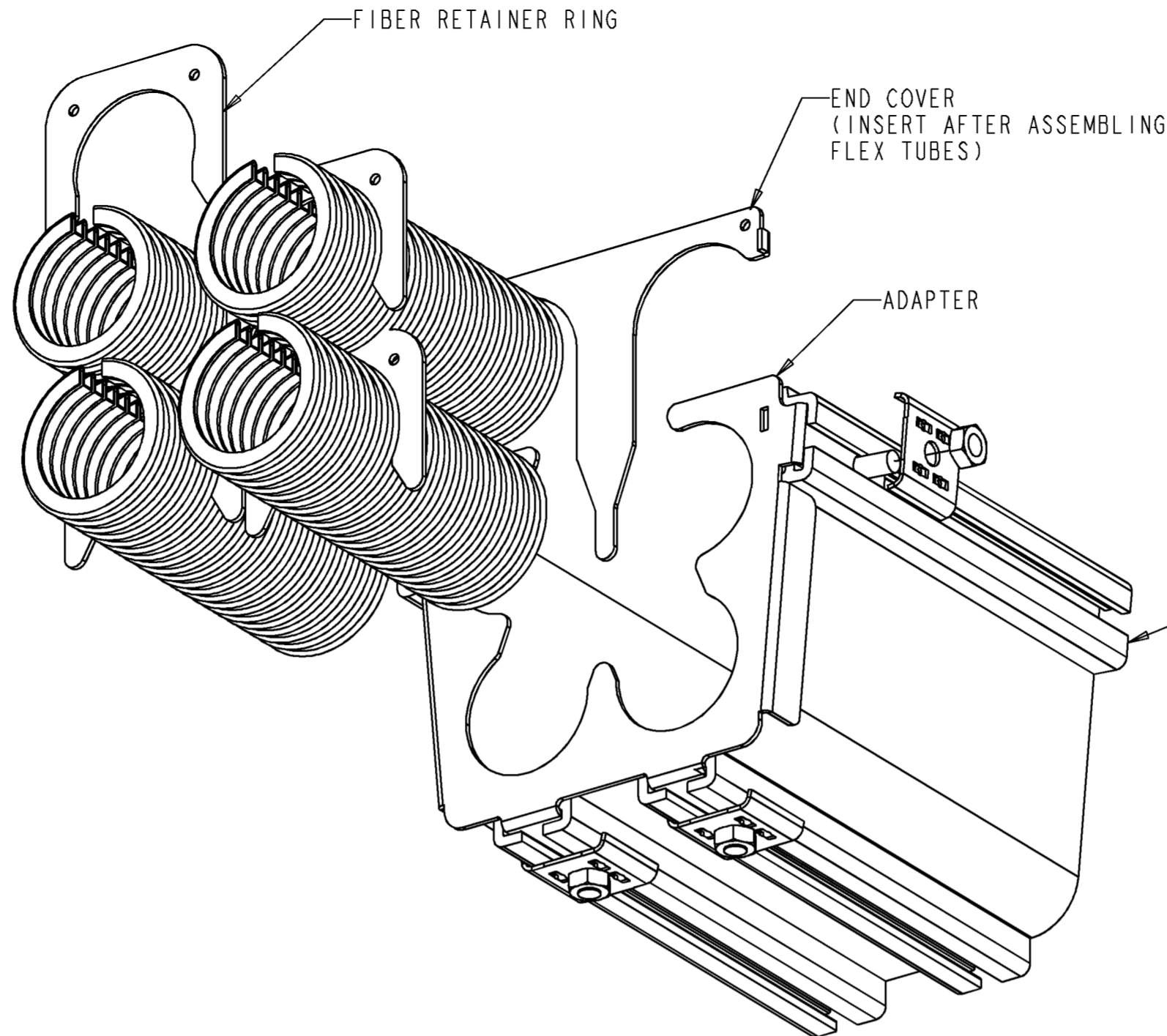
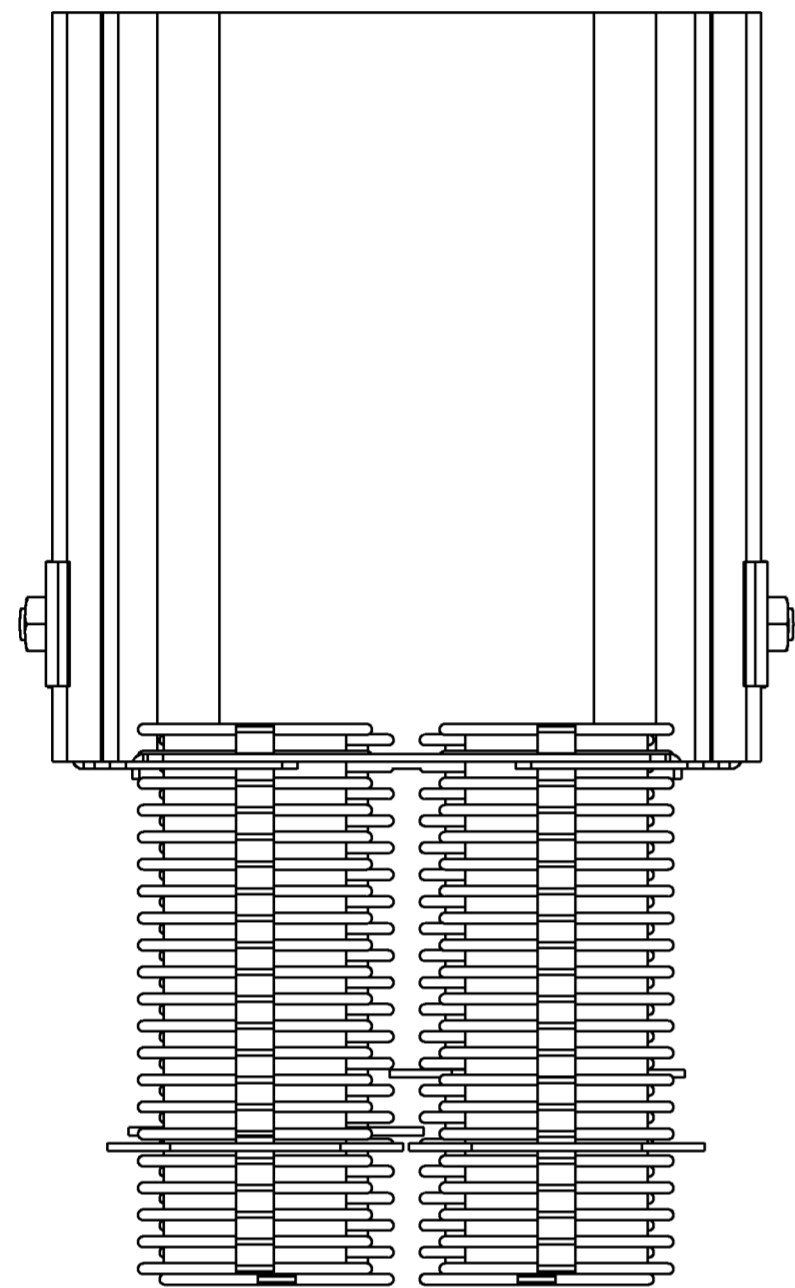
DIMENSIONS IN INCHES
THIRD ANGLE PROJECTION

A

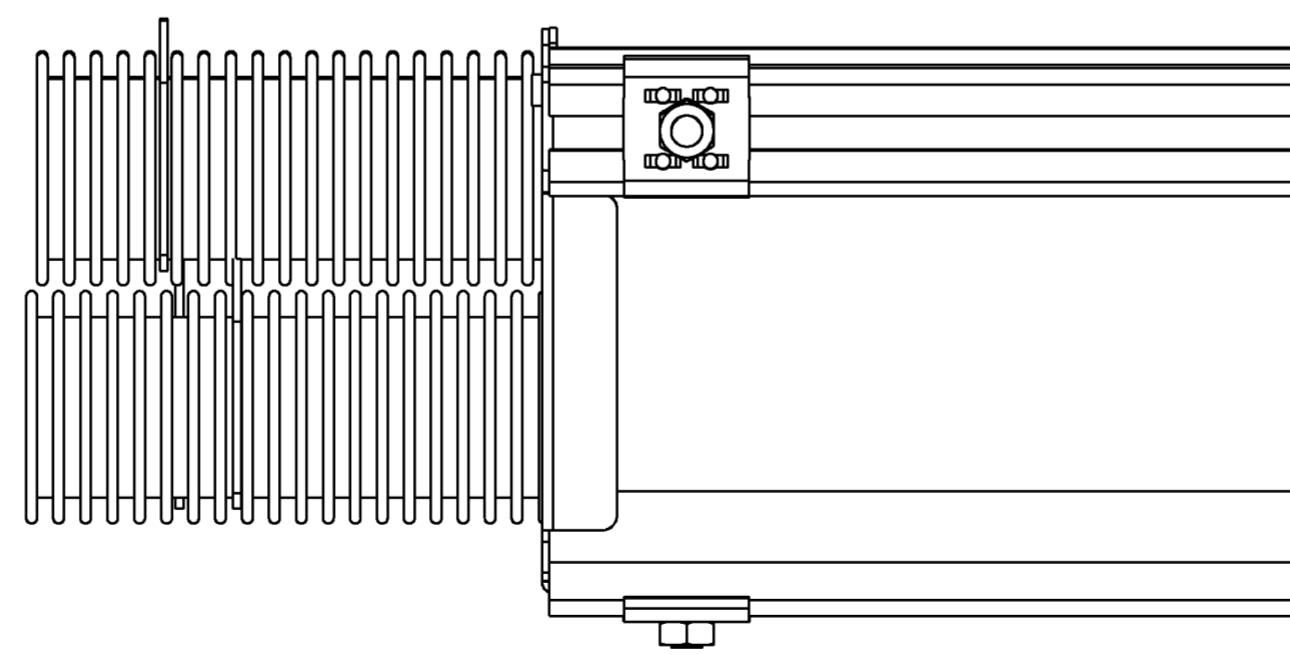
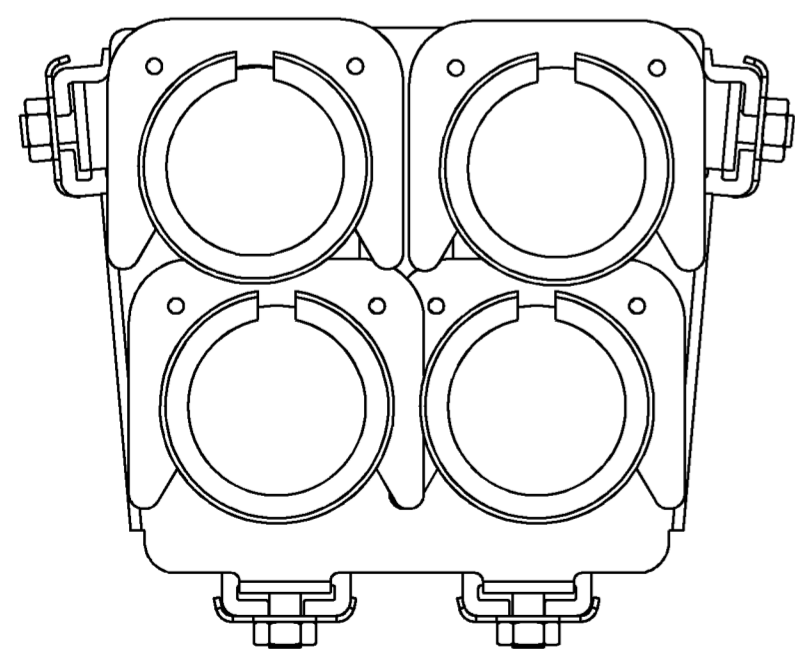
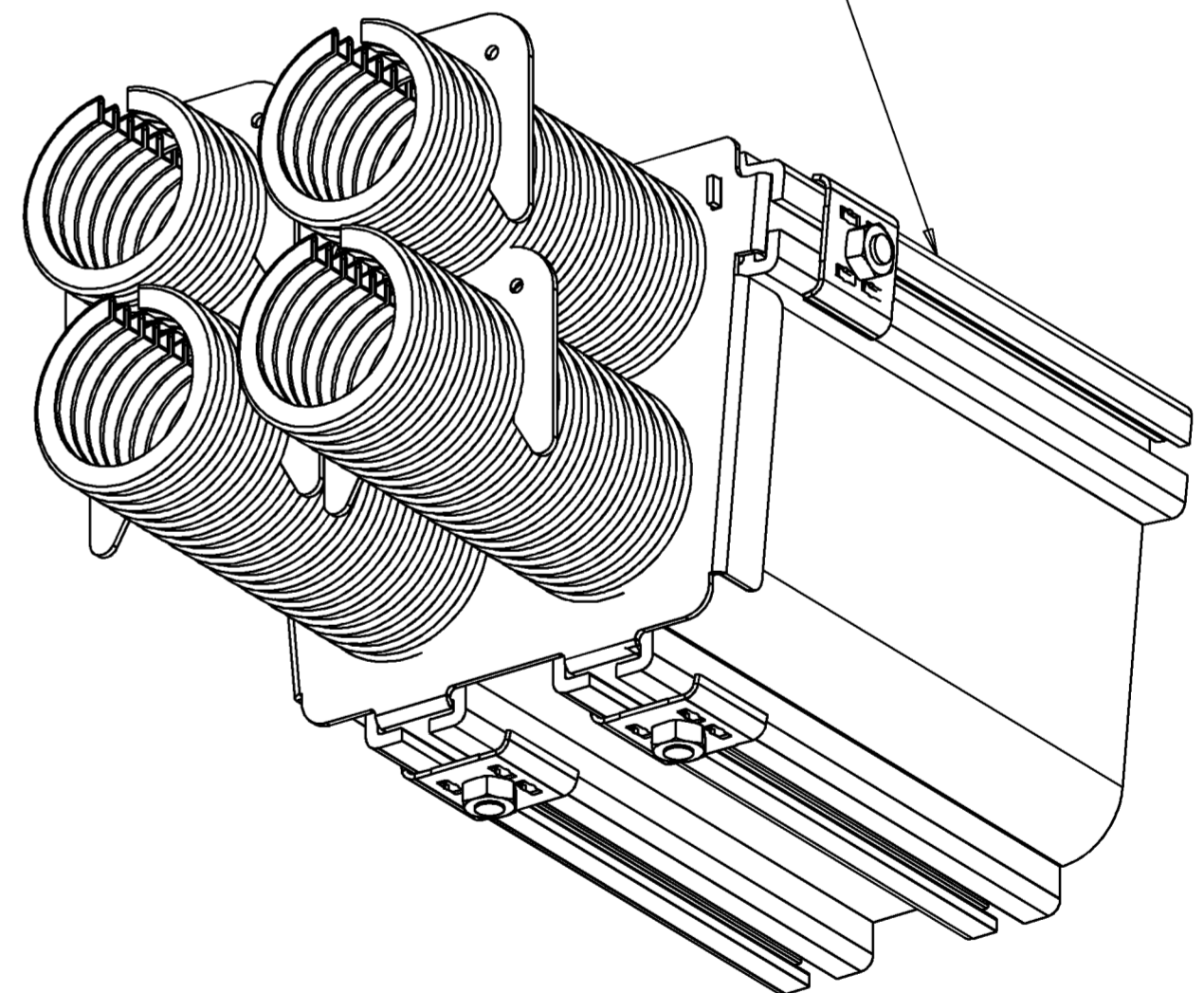
B

C

D



STRAIGHT SECTION
SHOWN FOR REFERENCE.
2



INFORMATION ON THIS DOCUMENT IS PROPRIETARY TO ADC AND SHALL NOT BE USED, COPIED, REPRODUCED OR DISCLOSED IN WHOLE OR IN PART WITHOUT WRITTEN CONSENT OF ADC.

ALL DIMS AND TOLERANCES ARE INCHES UNLESS OTHERWISE SPECIFIED
 .XX:±.005
 .XXX:±.002
 ANGULAR:± 1°

TITLE 4" FGS TO 4 HOSE APTR KIT INSTALL DRAWING

DRAWING NUMBER 1169223
 SIZE C
 6 REV

DO NOT SCALE DRAWING

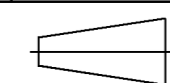
ENGR: DEREK DERKS
 DWN: CRAIG ZELASKO

SHT. 2 OF 2

A

B

C



**DIMENSIONS IN INCHES
THIRD ANGLE PROJECTION**