

4

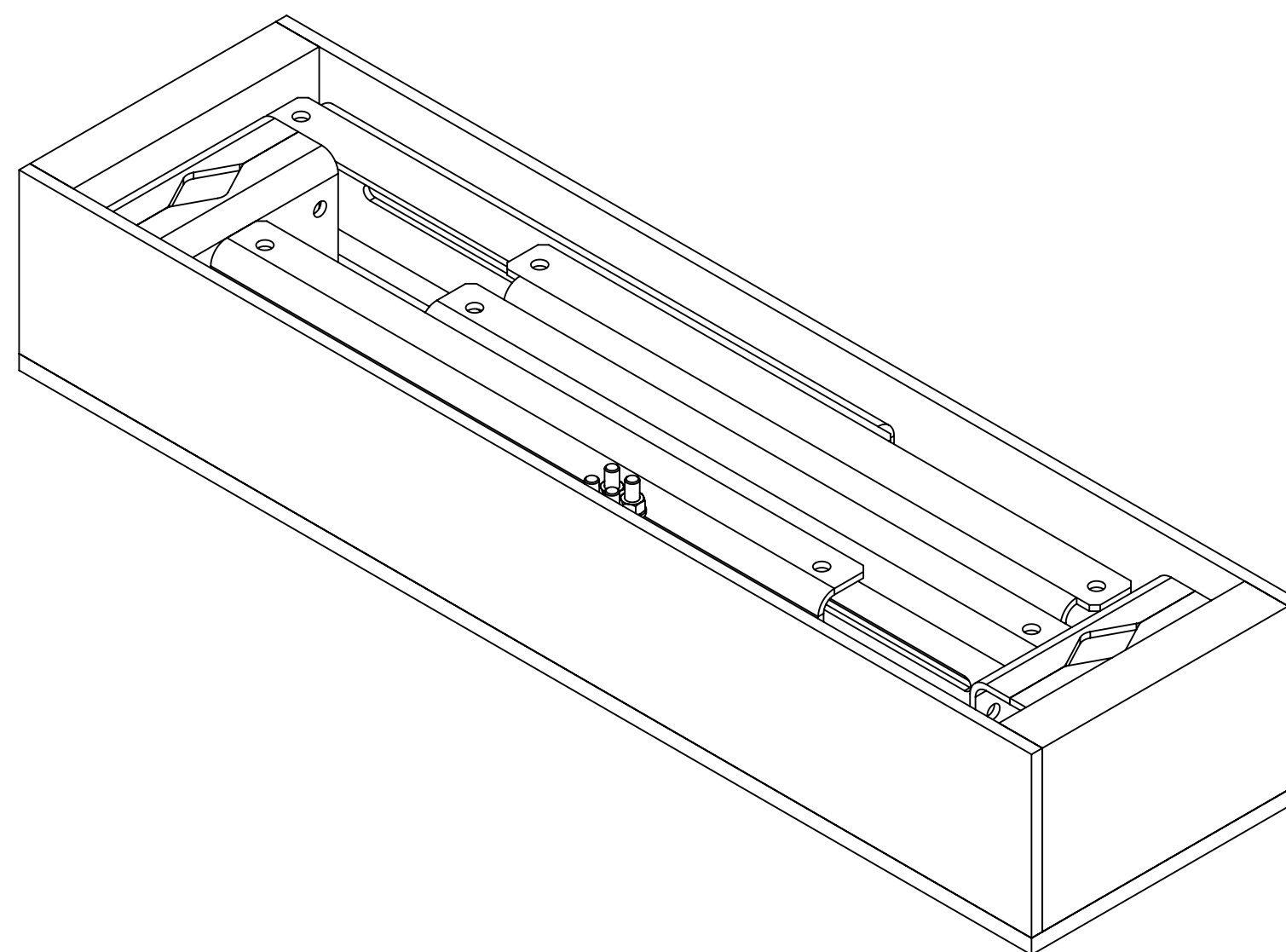
3

2

1

- 1.0 GENERAL NOTES
 1.1 ALL METRIC DIMENSIONS ARE IN BRACKETS [X. X]
 1.2 FOR PATENT INFO: <https://www.cs-pat.com>
 2.0 DESIGN NOTES
 2.1 MOUNTS TO PIPES 2-3/8" - 4-1/2" OD.
 3.0 MANUFACTURING/SPECIAL REQUIREMENTS
 3.1 TIGHTEN ALL BOLTS SECURING FLAT PLATES BY THE TURN-OF-NUT METHOD. TIGHTEN ALL U-BOLTS USING TURN-OF-NUT METHOD WITH ATTENTION TO LEAVE EQUAL DISTANCE AND EQUAL FORCE ON EACH LEG OF THE U-BOLT.
 4.0 TEST
 5.0 PACKAGING
 5.1 PACKAGING SHALL MEET COMMScope REQUIREMENTS PER DOCUMENT IS-PL-3005
 5.2 PRINTED DOCUMENT TO BE PLACED INSIDE POLYBAG AND THEN IN SHIPPING CONTAINER
 5.3 EXTRA HARDWARE MAYBE SUPPLIED, BAGGED AND SHIPPED

REVISIONS			
REV.	DESCRIPTION	DATE	APPROVED
B	CHG PACKING	CEB 10MAR16	BCROSS 8000012889
C	INCREASED SLOT WIDTH FOR COMPATABILITY	DRR 01MAY17	BCROSS 8000022588
D	UPDATED 3D VIEW ON SHEET 2	YMENG 12JAN23	BCROSS 40163865CMO



COMMScope, INC. OF NORTH CAROLINA									
TOLERANCES					SAP MATERIAL MASTER				
0 PLACE X[X] ± .25[6.3]		2 PLACE .XX[X] ± .06[1.5]			RR-B2B-LP				
1 PLACE .X[X] ± .12[3.0]		ANGLES ± 2°							
FINISH					MATERIAL				
UNLESS OTHERWISE SPECIFIED DIMENSIONS ARE IN INCHES INTERPRET PER ANSI Y 14.5M-1994	CE	RJC	03/20/2015	REMOTE RADIO BACK-TO-BACK LOW PROFILE					
	RW	YMENG	02/02/2023						
	AD	JLT183	02/02/2023						
	RE	YMENG	02/27/2023						
	ECN 40163865CMO								
SCALE		DOCUMENT NO.							
1:8		RR-B2B-LP							
SIZE	WORK AREA	INSL	MODEL			DRAWING			SHEET
C			VERSION	STATUS	REVISION	VERSION	STATUS	REVISION	1 OF 3
			01	RE	D	01	RE	D	

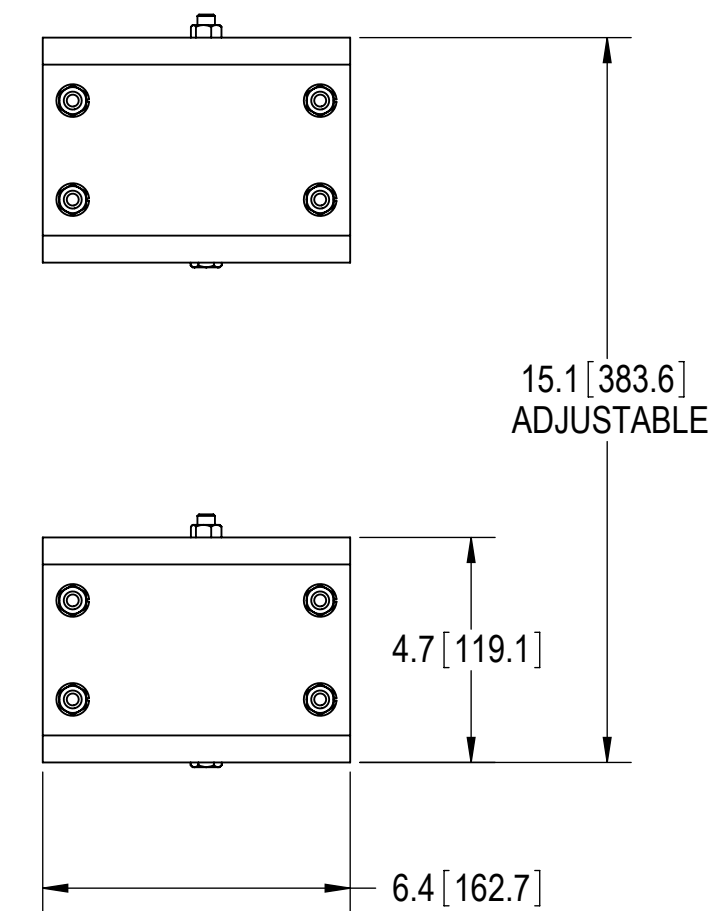
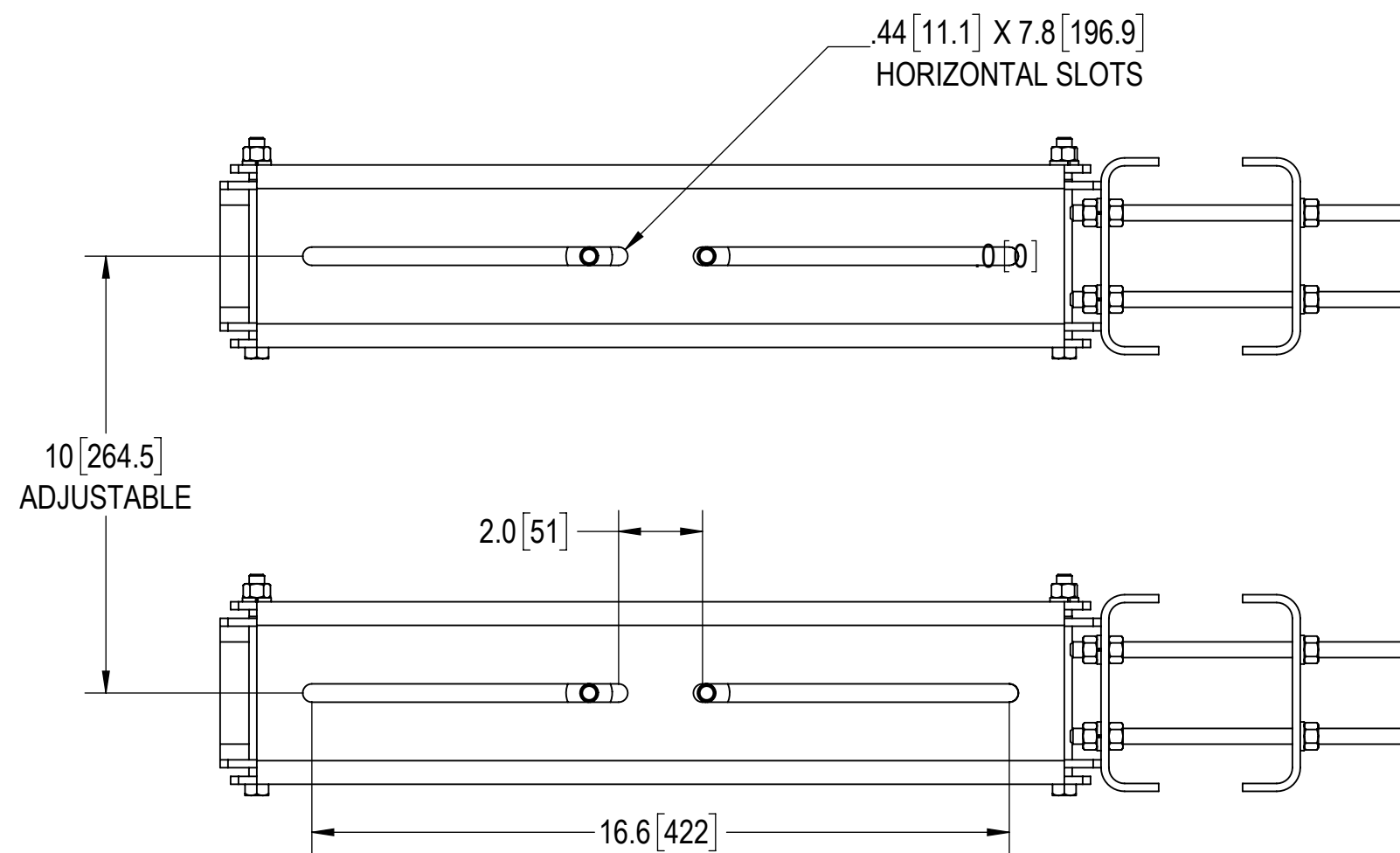
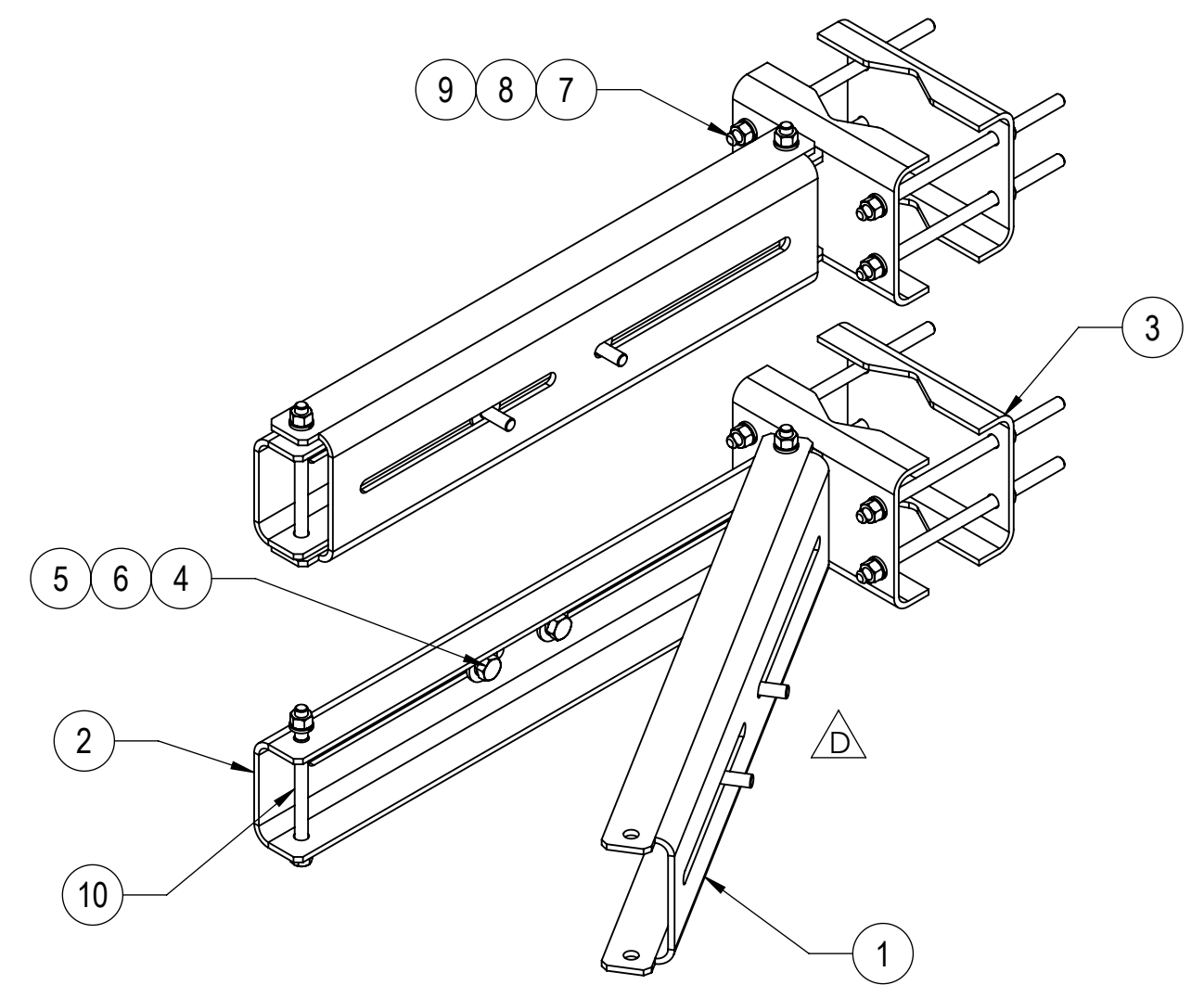
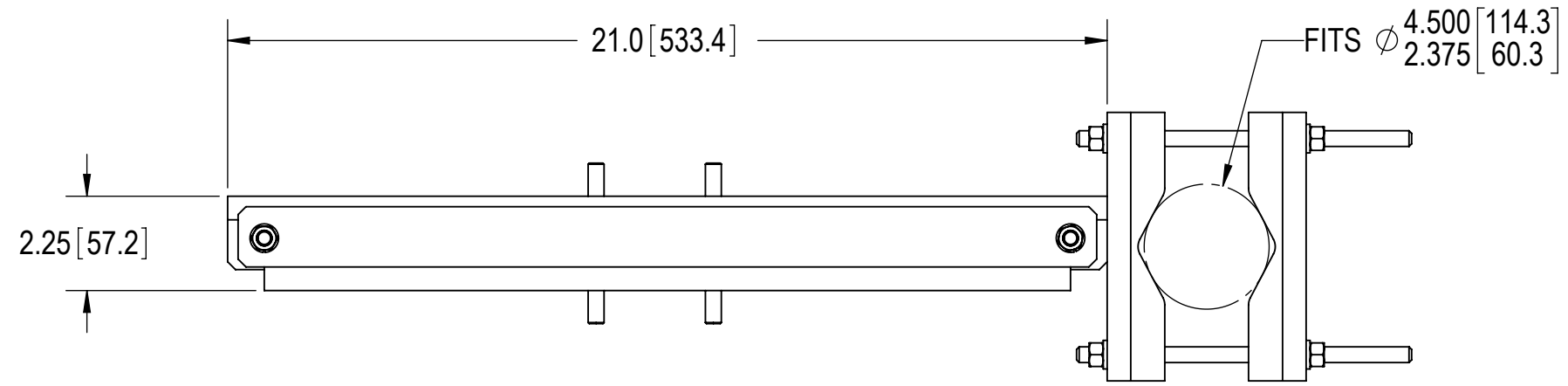
DENSITY		lbs/in³
MASS	40.78	lbs
VOLUME	144.73	in³
SURFACE AREA	1685.63	in²
HEIGHT	6.5[165.1]	
LENGTH	35.0[889.0]	
WIDTH	9.25[235.0]	

4

3

2

1



COMPONENT PART NUMBERS PROVIDED FOR ASSEMBLY PURPOSES;
INDIVIDUAL COMPONENTS MAY BE SHIPPED AS PARTS WITHIN AN INCLUDED KIT.

ITEM	PART NO.	DESCRIPTION	QTY.	WEIGHT	NOTE NO.
1	MTC332656	HD SWING ARM RRU MOUNT	2	7.50 LBS	
2	MTC332657	DUAL RRU MOUNT WELDMENT	2	8.71 LBS	
3	MTC332629	BACK CLAMP DUAL RRU MOUNT	2	2.13 LBS	
4	MTC978703	M-10 X 30mm HEX BOLT, SS	8	0.07 LBS	
5	MTC978706	SS WASHER FLAT, M10	8	0.02 LBS	
6	MTC978704	M10 SS LOCK WASHER	8	0.01 LBS	
7	GD03800	3/8" X 8" GALV THREADED ROD	8	0.25 LBS	
8	GWL-03	3/8" GALV LOCK WASHER	16	0.01 LBS	
9	GN-03	3/8" GALV HEX NUT	24	0.02 LBS	
10	GB-03505	3/8" X 5" GALV BOLT KIT	4	0.17 LBS	

COMMSCOPE, INC. OF NORTH CAROLINA				
TITLE REMOTE RADIO BACK-TO-BACK LOW-PROFILE				
SIZE C	SCALE 1:6	DOCUMENT NO. RR-B2B-LP		
DRAWING		VERSION	STATUS	REVISION
		01	RE	D
				SHEET 2 OF 3

© 2023 CommScope, Inc. Confidential

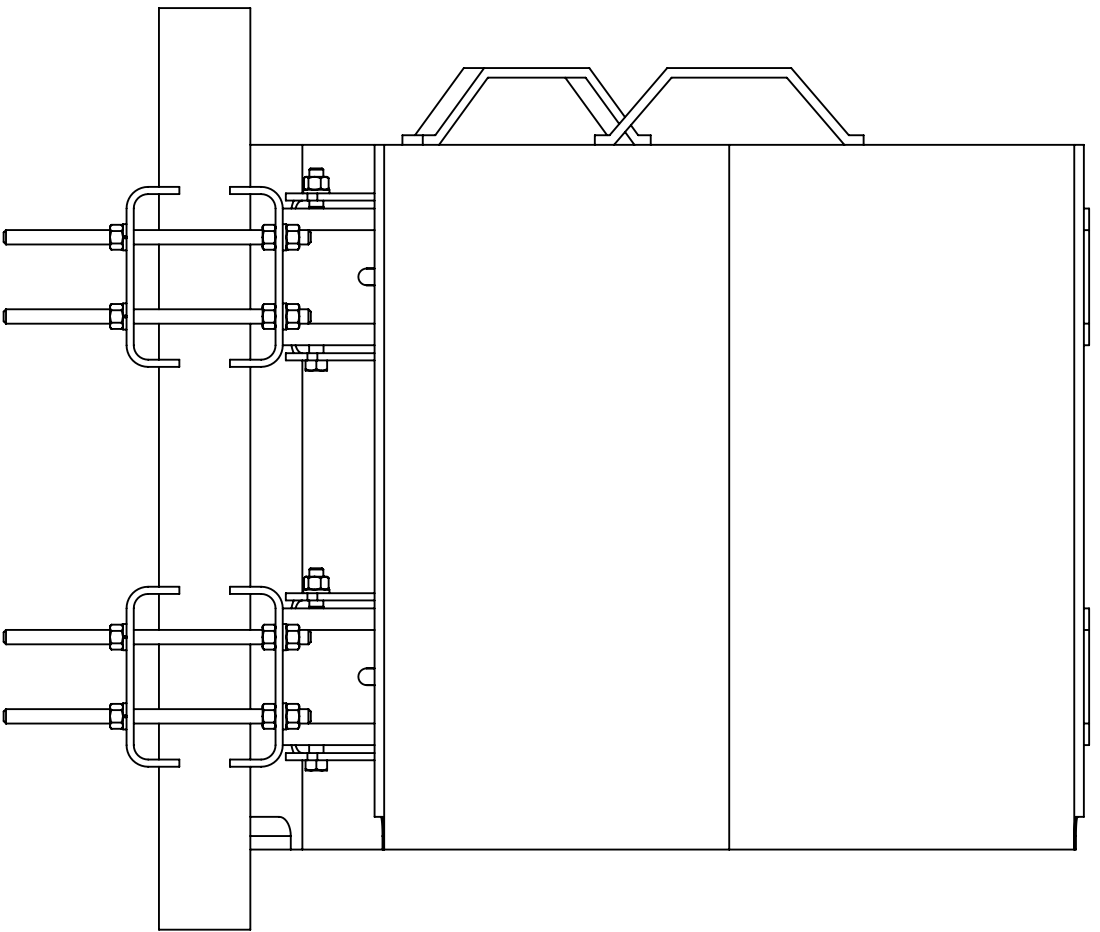
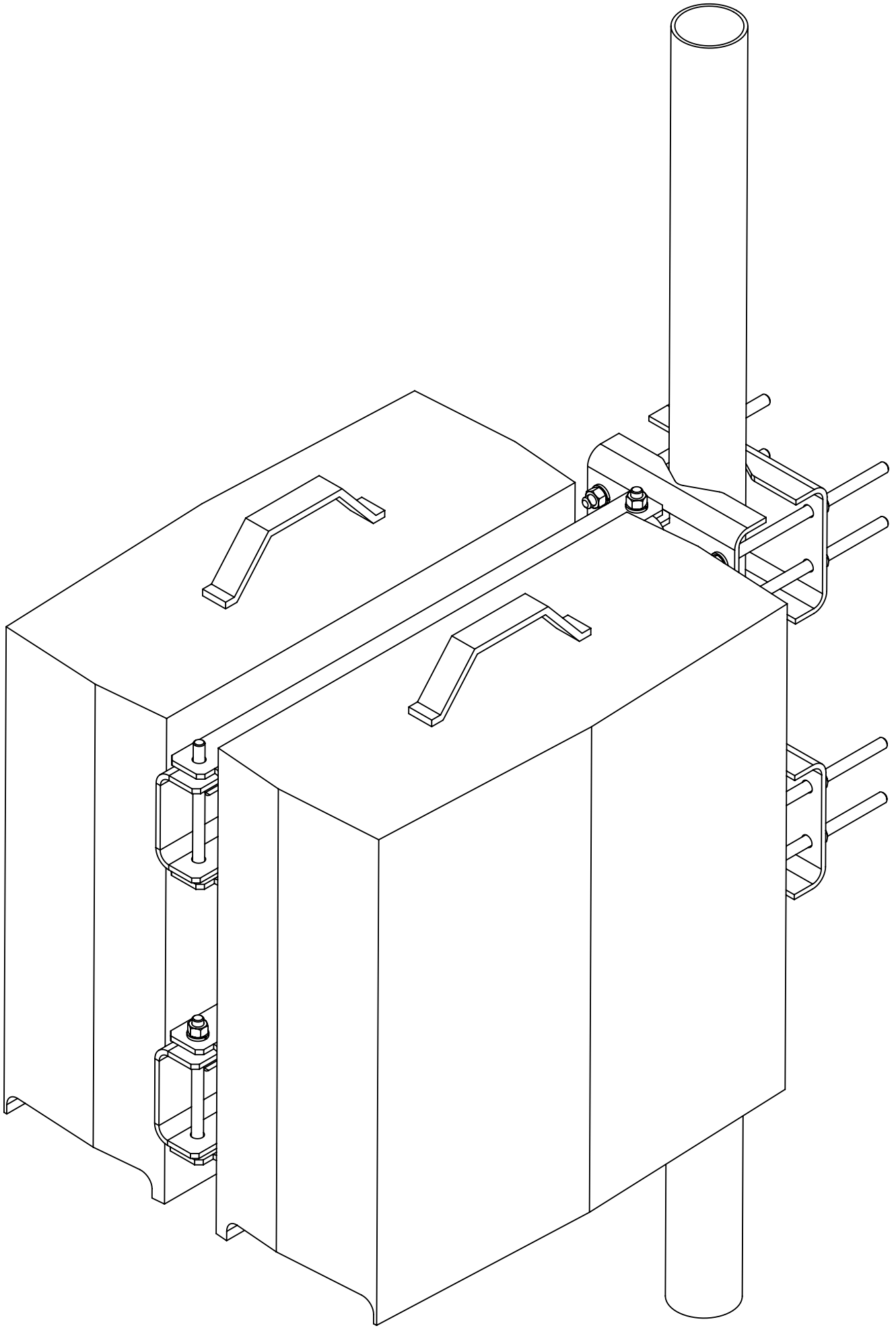
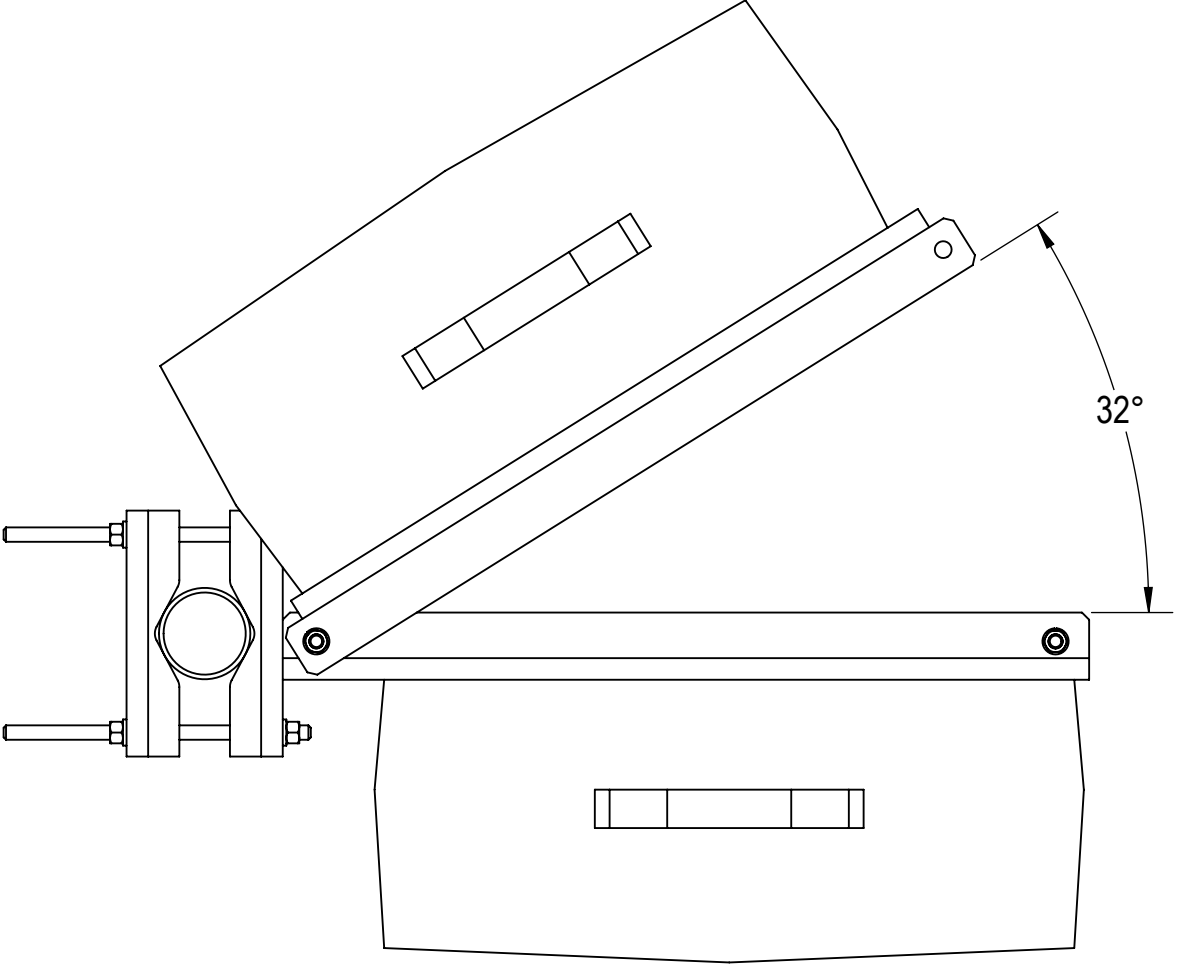
4

3

2

1

SHOWN WITH 2-3/8" OD PIPE AND RRUS 12 RADIOS
ORDER PIPE AND RADIOS SEPERATELY.



COMMSCOPE, INC. OF NORTH CAROLINA				
TITLE REMOTE RADIO BACK-TO-BACK LOW-PROFILE				
SIZE C	SCALE 1:4	DOCUMENT NO. RR-B2B-LP		
		DRAWING		SHEET
		VERSION	STATUS	REVISION
		01	RE	D
				3 OF 3

4

3

2

1