

4

3

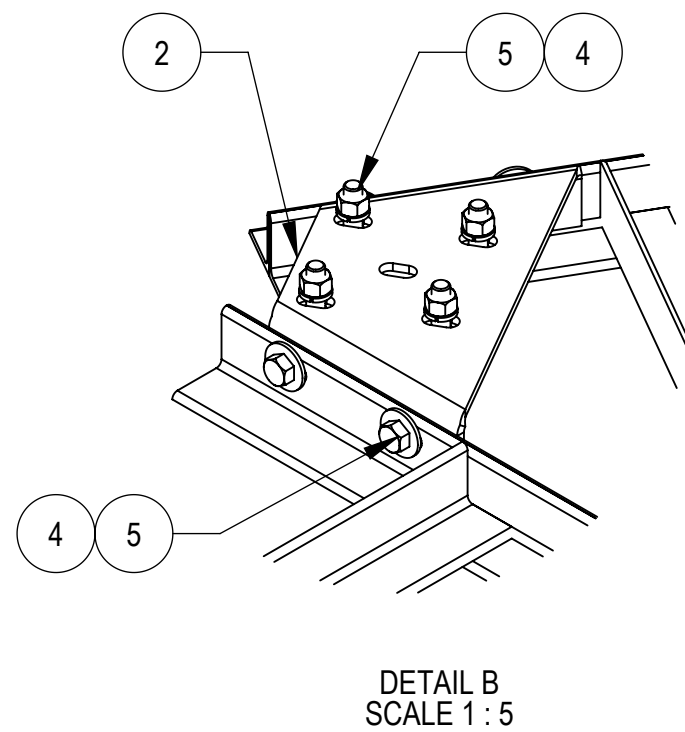
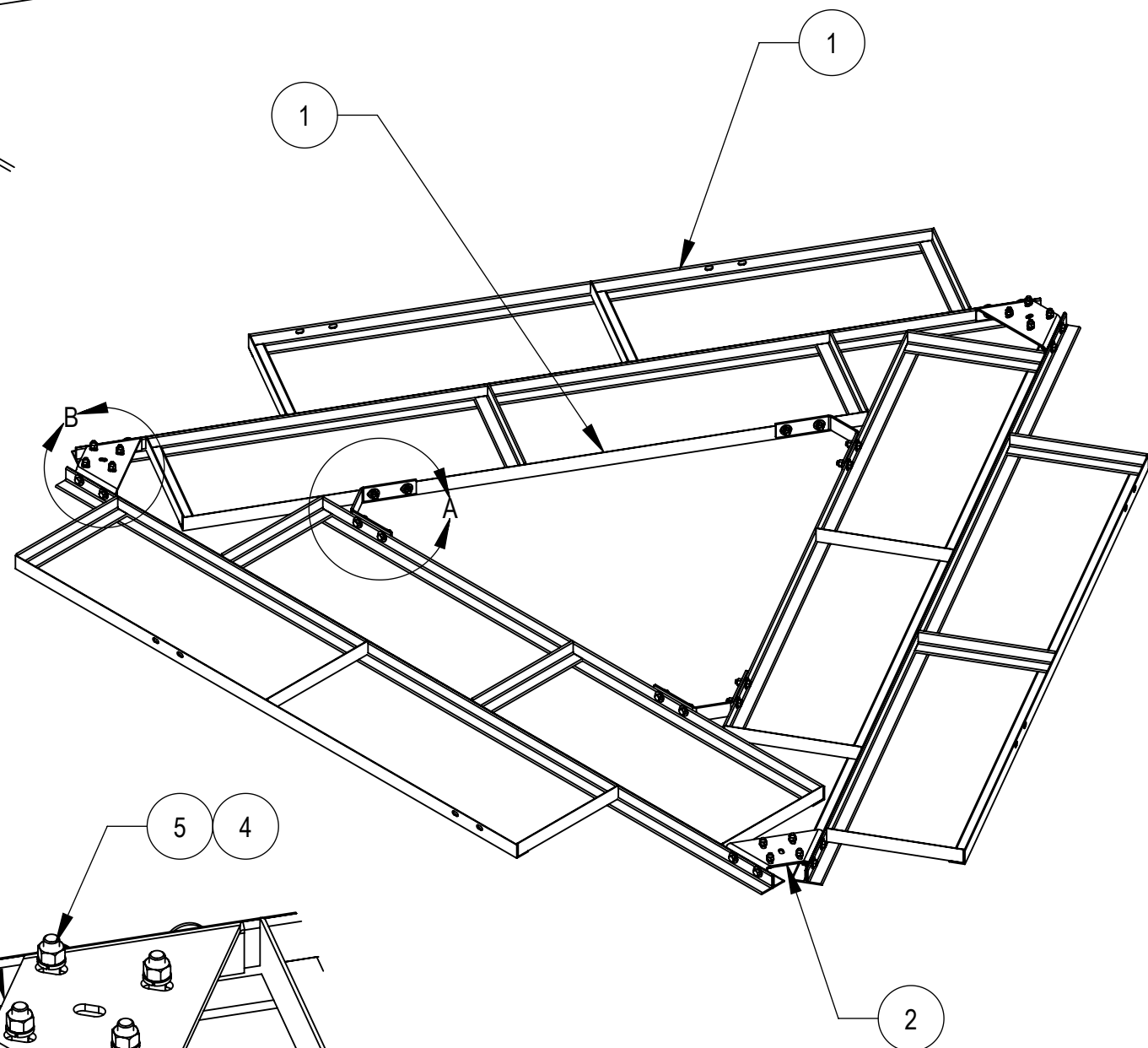
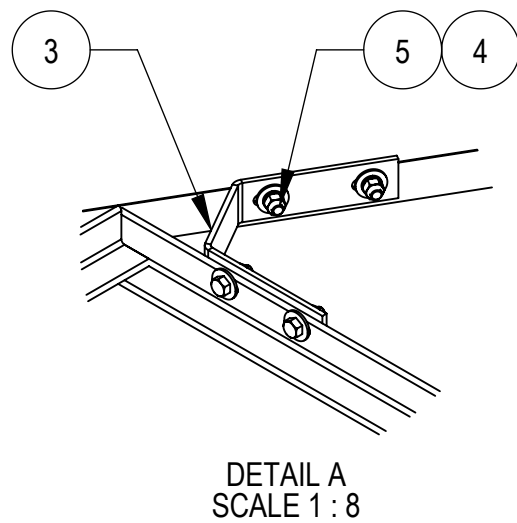
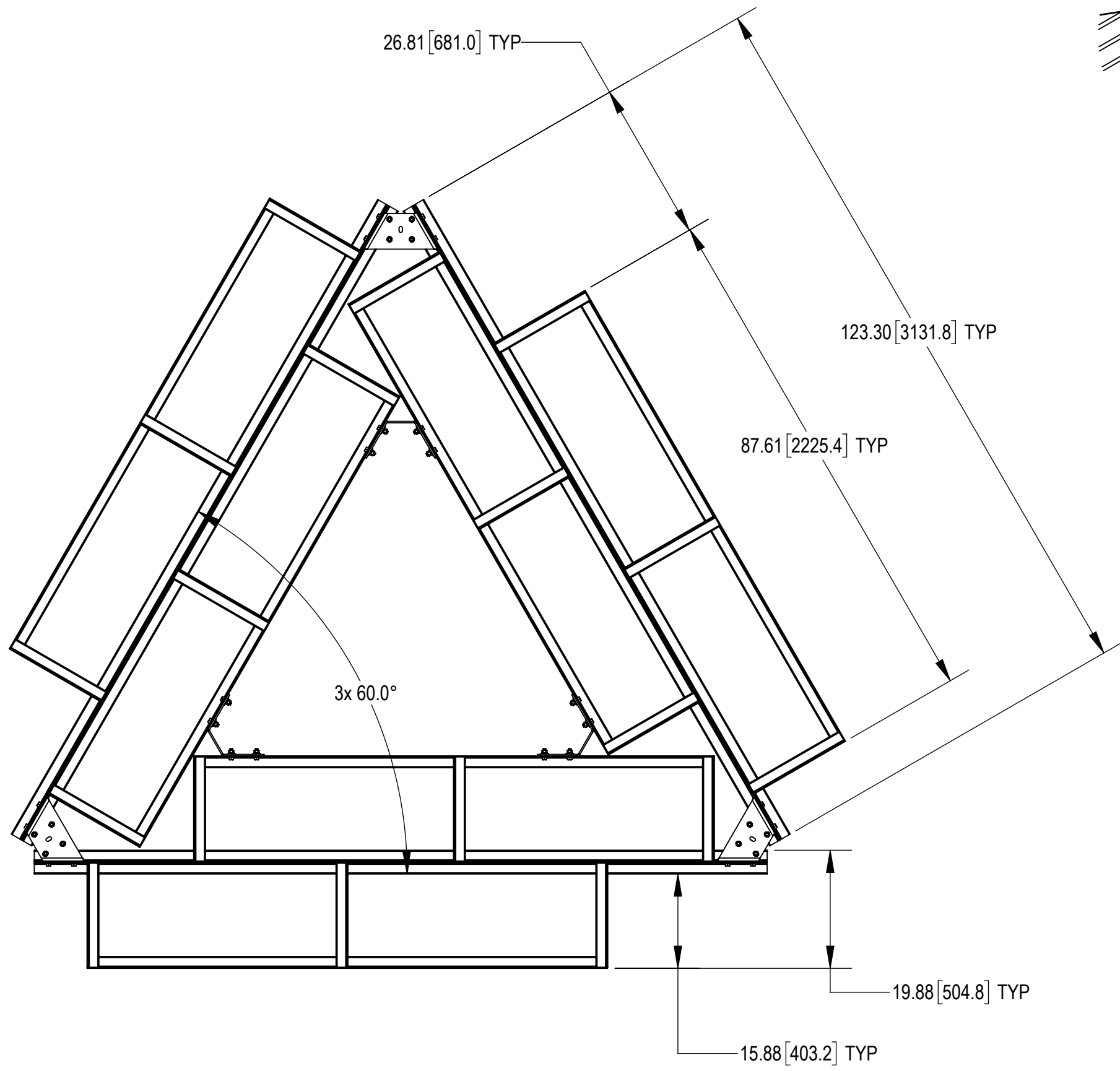
2

1

NOTES:

- 1. GENERAL
 - 1.1 ALL METRIC DIMENSIONS ARE IN BRACKETS
 - 1.2 MARK PART WITH IDENTIFICATION NUMBER
- 2. DESIGN NOTES
 - 2.1 ALL DIMENSIONS SHOWN ARE FOR REFERENCE ONLY
 - ALL CONNECTIONS ARE ADJUSTABLE. FINAL INSTALLED APPLICATION DICTATES FINISHED DIMENSIONS
- 3. MANUFACTURING/SPECIAL REQUIREMENTS
 - 3.1 TORQUE: TIGHTEN ALL BOLTS SECURING FLAT PLATES BY THE TURN-OF-NUT METHOD. TIGHTEN ALL U-BOLTS USING TURN-OF-NUT METHOD WITH ATTENTION TO LEAVE EQUAL DISTANCE AND EQUAL FORCE ON EACH LEG OF THE U-BOLT
 - 3.2 FINISH: GALVANIZE ASTM A123
- 4. TEST
- 5. PACKAGING
 - 5.1 PACKAGING SHALL MEET COMMSCOPE REQUIREMENTS PER DOCUMENT IS-PL-3005

REVISIONS				
REV.	ECN	DESCRIPTION	BY	DATE
A	40138952CMO	NEW RELEASED.	XZ1054	11/9/2021



COMMSCOPE, INC. OF NORTH CAROLINA

TOLERANCES		SAP MATERIAL MASTER	
1 PLACE .X ± 0.06	3 PLACE .XXX ± 0.010	MT-181-HD	
2 PLACE .XX ± 0.03	ANGLES ± 2°		
FINISH SEE NOTE 3.2		MATERIAL SEE BOM	

UNLESS OTHERWISE SPECIFIED DIMENSIONS ARE IN INCHES INTERPRET PER ANSI Y 14.5M-1994	NAME	DATE	TITLE
	CE XZ1054	11/11/2021	TRI SECTOR HD BALLAST FRAME FOR MT-180
	RW XZ1054	11/23/2021	
	AD BA1025	11/26/2021	SCALE
	RE XZ1054	11/28/2021	DOCUMENT NO.
ECN 40138952CMO		MT-181-HD	

C	Auth Group	INSL	MODEL			DRAWING			SHEET 1 OF 2
	00	RE	VERSION	STATUS	REVISION	VERSION	STATUS	REVISION	

ITEM NO.	PART NUMBER	DESCRIPTION	QTY.	WEIGHT	NOTE NO.
1	MT181.01	BALLAST TRAY FRAME SECTION	6	52.28 LBS	
2	MT181.02	TRIANGULAR CORNER BRACKET	3	5.01 LBS	
3	MT181.03	BALLAST TRAY BENT BRACKET	3	2.49 LBS	
4	GWF-04	1/2" GALV FLAT WASHER	60	0.04 LBS	
5	GB-04145	1/2" X 1-1/2" GALV BOLT KIT	36	0.13 LBS	

DENSITY	0.28	lbs/in ³
MASS	345.20	lbs
VOLUME	1225.02	in ³
SURFACE AREA	13473.69	in ²
HEIGHT	3.54"	
LENGTH	158.55	
WIDTH	137.31	

4

3

2

1

NOTES:

D

D

C

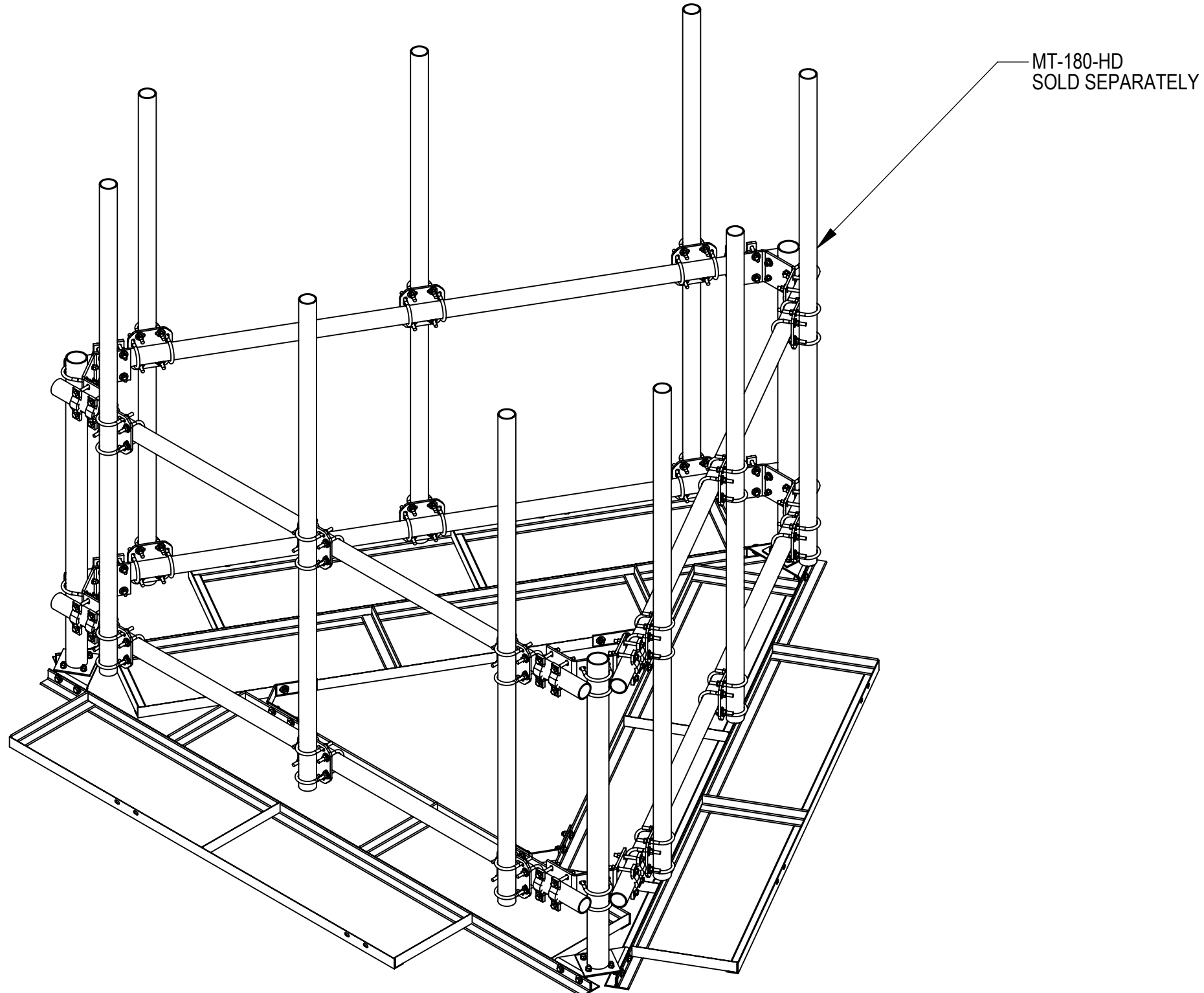
C


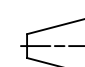
B

B

A

A



COMMSCOPE, INC. OF NORTH CAROLINA					
TITLE TRI SECTOR HD BALLAST FRAME FOR MT-180					
SIZE C	SCALE 1:20	DOCUMENT NO. MT-181-HD			
 		DRAWING			SHEET 2 OF 2
		VERSION 00	STATUS RE	REVISION A	

© 2021 CommScope, Inc. Confidential

4

3

2

1