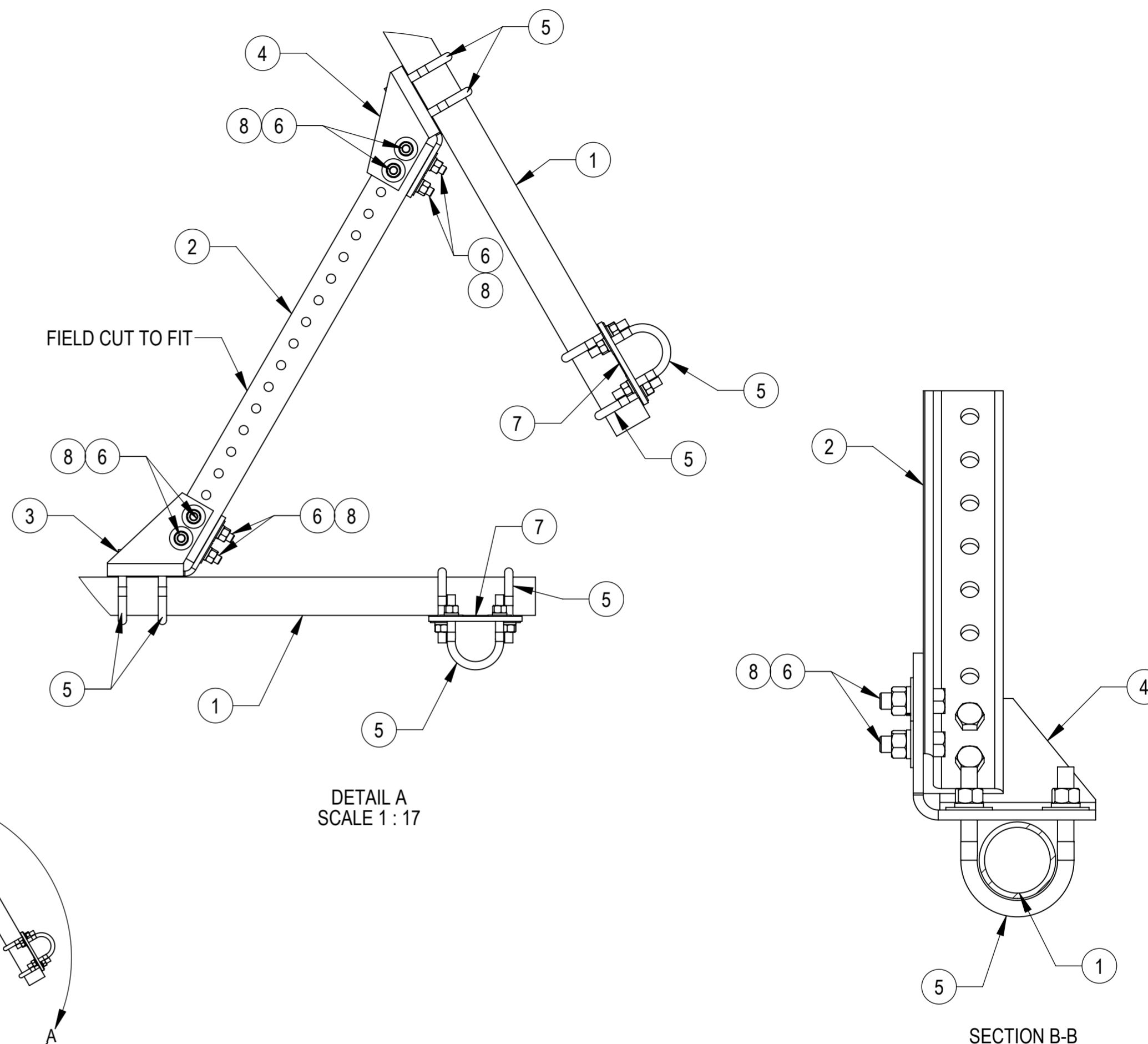
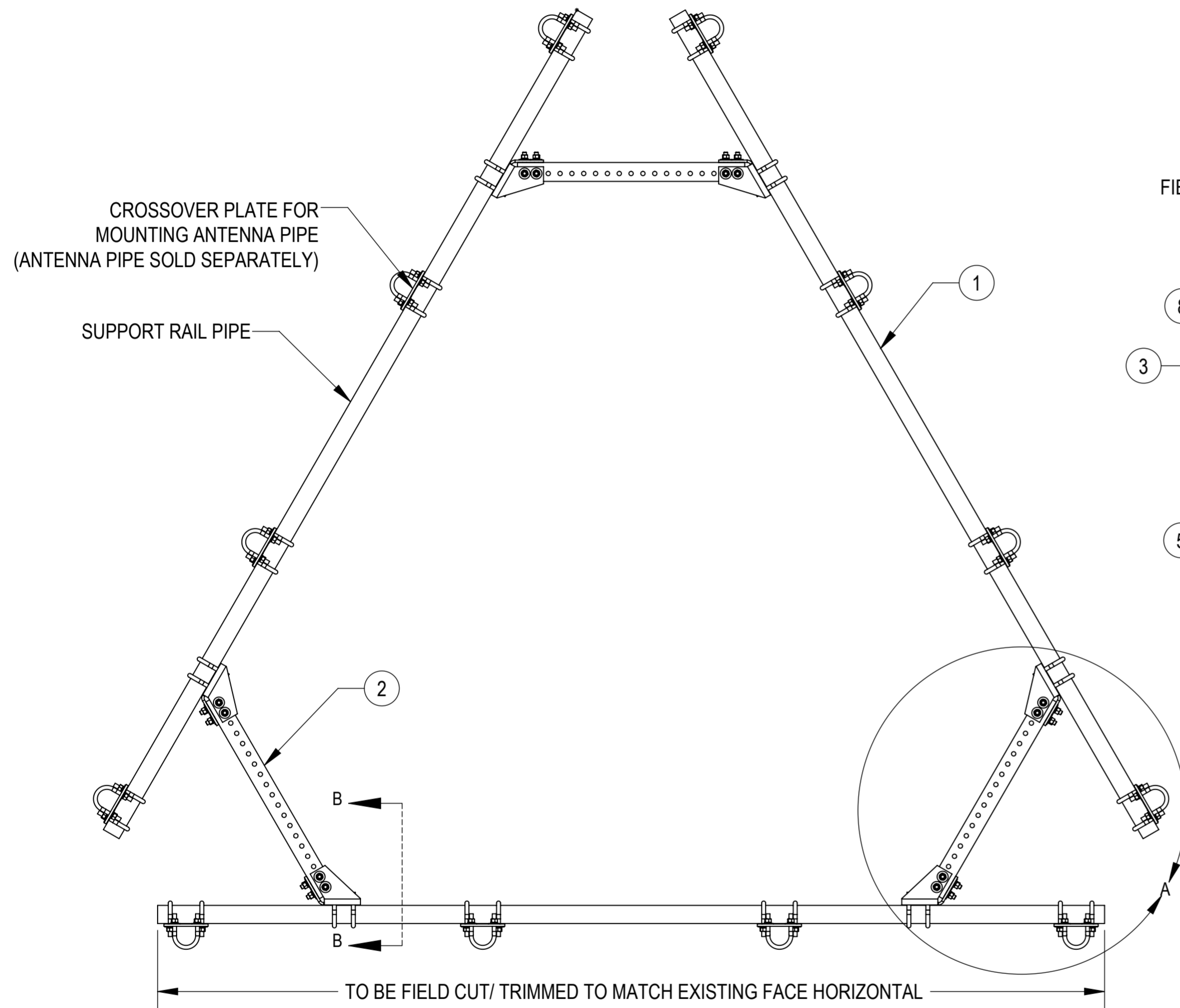


- 1.0 GENERAL NOTES
 1.1 ALL IMPERIAL DIMENSIONS ARE IN BRACKETS [X.XX]
 1.2 MARK PART WITH IDENTIFICATION NUMBER
 2.0 DESIGN NOTES
 3.0 MANUFACTURING/SPECIAL REQUIREMENTS
 3.1 TIGHTEN ALL BOLTS SECURING FLAT PLATES BY THE TURN-OF-NUT METHOD. TIGHTEN ALL U-BOLTS USING TURN-OF-NUT METHOD WITH ATTENTION TO LEAVE EQUAL DISTANCE AND EQUAL FORCE ON EACH LEG OF THE U-BOLT.
 4.0 TEST
 5.0 PACKAGING
 5.1 PACKAGING SHALL MEET COMMSCOPE REQUIREMENTS PER DOCUMENT IS-PL-3005
 5.2 PRINTED DOCUMENT TO BE PLACED INSIDE POLYBAG AND THEN IN SHIPPING CONTAINER
 5.3 EXTRA HARDWARE MAYBE SUPPLIED, BAGGED AND SHIPPED

REVISIONS			
REV.	DESCRIPTION	DATE	APPROVED
A	INITIAL RELEASE	JL1183 16MAR23	JAHAINES 40168212CMO



COMPONENT PART NUMBERS PROVIDED FOR ASSEMBLY PURPOSES;
 INDIVIDUAL COMPONENTS MAY BE SHIPPED AS PARTS WITHIN AN INCLUDED KIT.

ITEM	PART NO.	DESCRIPTION	QTY.	NOTE
1	MT-546-150	PIPE, 2.875"OD X 150"	3	
2	PLK2-F1-30	ANGLE, BRACE; 36.0 LG	3	
3	PLK2-F2L	CORNER BENT PLATE BRACKET, LH	3	
4	PLK2-F2R	CORNER BENT PLATE BRACKET, RH	3	
5	GUB-53050	5/8" X 3" X 5" GALV U-BOLT KIT	60	INCLUDES U-BOLT, FLAT WASHERS, LOCK WASHERS AND NUTS
6	GB-0520A	5/8" X 2" GALV BOLT KIT (A325)	24	INCLUDES BOLT, LOCK WASHER AND NUT
7	MTC4104-0030	PLATE, CROSSOVER; 2.375 TO 2.875 OD PIPE	12	
8	GW-05	5/8" GALV FLAT WASHER, 1.7OD	24	

DENSITY	496.17	lbs/in ³
MASS	1749.6	lbs
VOLUME	14745.2	in ³
SURFACE AREA	225531.55	in ²
DENSITY	225531.55	g/mm ³
MASS	28672626.83	grams
VOLUME	9513009.03	mm ³
SURFACE AREA	3810[150.0]	mm ²
HEIGHT	3810[150.0]	
LENGTH	216[8.5]	
WIDTH		

COMMSCOPE, INC. OF NORTH CAROLINA

TOLERANCES
 0 PLACE X[.X] ± 6[0.25] 2 PLACE .XX[.XXX] ± 1.50[0.06]
 1 PLACE .X[.XX] ± 3.0[0.12] ANGLES ± 2°

SAP MATERIAL MASTER
MUK-PLK1

FINISH		MATERIAL	
UNLESS OTHERWISE SPECIFIED DIMENSIONS ARE IN MILLIMETERS INTERPRET PER ANSI Y 14.5M-1994			
CE	JL1183	DATE	16MAR23
RW	JL1183	DATE	03/21/2023
AD	YW1045	DATE	03/23/2023
RE	YMENG	DATE	03/24/2023
ECN 40168212CMO			
SCALE		DOCUMENT NO.	
1:15		MUK-PLK1	
SIZE	Auth Group	INSL	MODEL
A2			
VERSION	STATUS	REVISION	VERSION
00	RE	A	00
DRAWING		REVISION	
VERSION	STATUS	REVISION	VERSION
00	RE	A	00

SHEET
1 OF 1