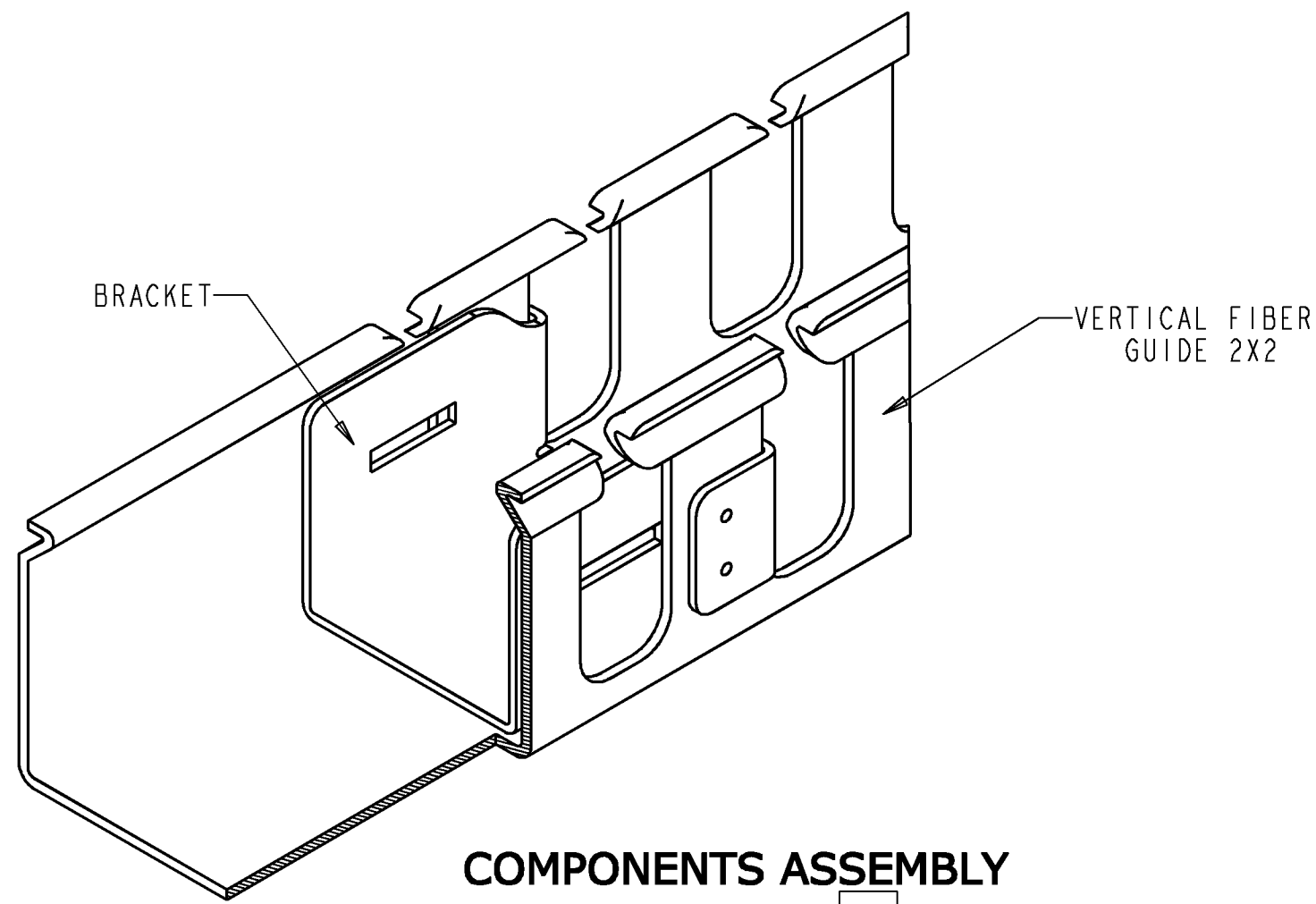
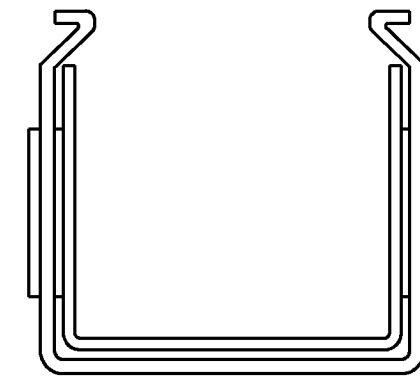


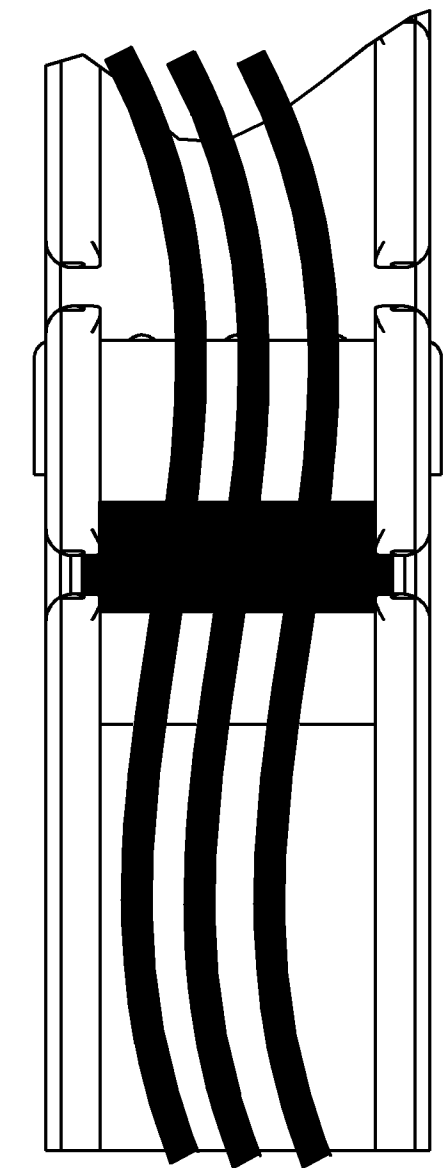
REV	MCO	DWN	DATE
A	20163946	GNM	08-FEB-05



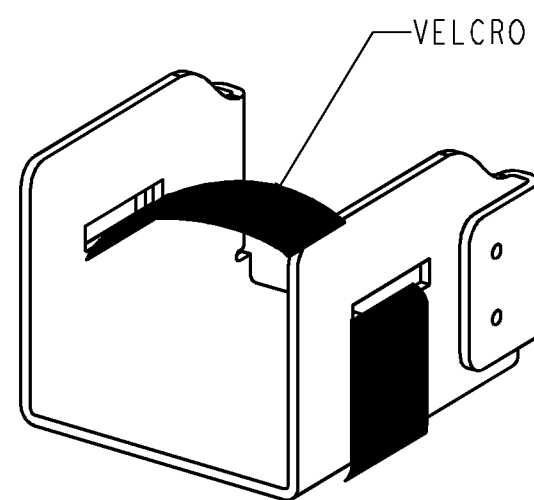
**COMPONENTS ASSEMBLY
(ISO VIEW) [2]**



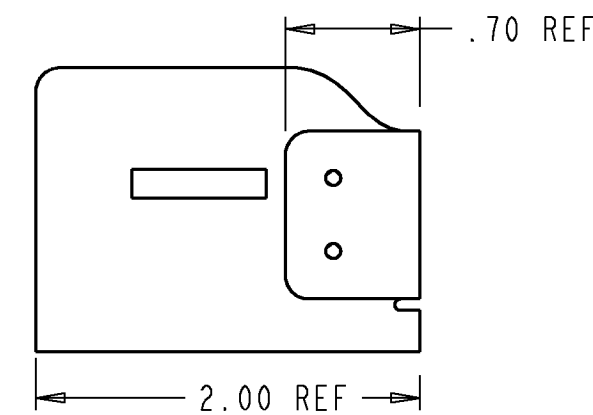
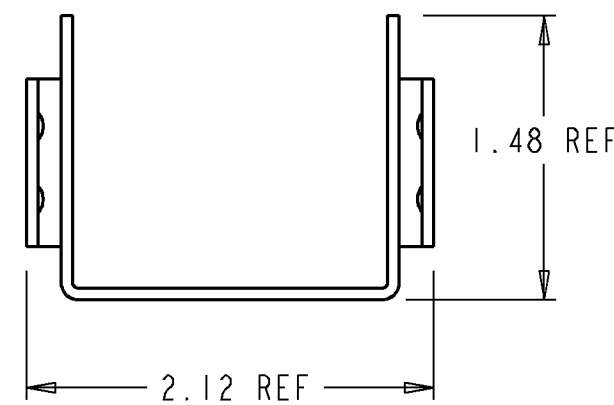
MOUNTING FRONT VIEW



VERTICAL VIEW



BRACKET ISO VIEW



NOTES:

- KIT INCLUDES THE FOLLOWING ITEMS:
(1) METAL BRACKET
(1) VELCRO STRAP
 - ISOMETRIC VIEW SHOWN JUST FOR CLARITY.
- ATTACHING THE METAL BRACKET TO THE VERTICAL FIBER GUIDE:
- MATE THE METAL BRACKET TO VERTICAL FIBER GUIDE AS SHOWN.
SIDE OF METAL BRACKET WILL NEED TO BE SQUEEZED INWARD SLIGHTLY.
 - USE VELCRO STRAP TO RETAIN CABLE FIBERS TOWARD THE REAR OF THE RACE WAY

CAT# FGS-ACC142



INFORMATION ON THIS DOCUMENT IS PROPRIETARY TO ADC AND SHALL NOT BE USED, COPIED, REPRODUCED OR DISCLOSED IN WHOLE OR IN PART WITHOUT WRITTEN CONSENT OF ADC.

ALL DIMS AND TOLERANCES ARE INCHES UNLESS OTHERWISE SPECIFIED

DO NOT SCALE DRAWING

TITLE
BRACKET FOR VERTICAL 2X2 FIBER GUIDE

DRAWING NUMBER
1316951

ENGR: C. ARROYO
DWN: J. GABRIEL NERI

SHT. 1 OF 1

**DIMENSIONS IN INCHES
THIRD ANGLE PROJECTION**