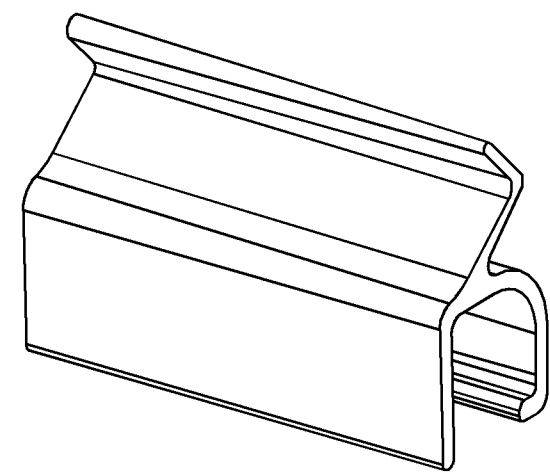
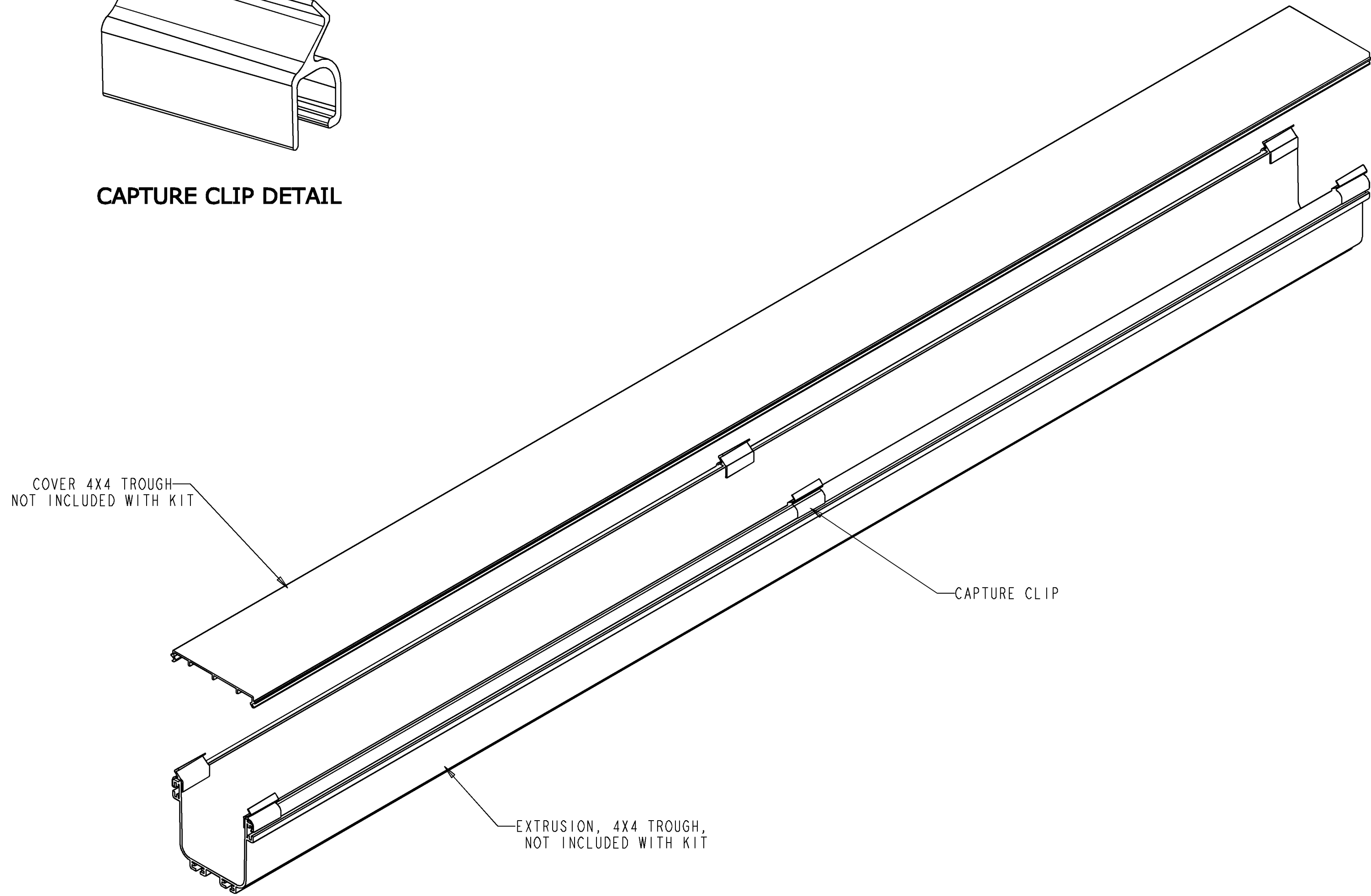


REV	MCO	DWN	DATE
A	20174579	GNM	09-AUG-05



CAPTURE CLIP DETAIL



NOTES:

1. PLACE CAPTURE CLIPS APPROXIMATELY AS SHOWN.
2. CAPTURE CLIP WILL NEED TO BE SQUEEZED INWARD SLIGHTLY.

FGS-DHCP	BLACK	10	A
CATALOG #	COLOR	QTY	REV



<small>INFORMATION ON THIS DOCUMENT IS PROPRIETARY TO ADC AND SHALL NOT BE USED, COPIED, REPRODUCED OR DISCLOSED IN WHOLE OR IN PART WITHOUT WRITTEN CONSENT OF ADC.</small>	<small>TITLE</small> CAPTURE CLIP FGS COVER INSTALLATION DWG		
	<small>ALL DIMS AND TOLERANCES ARE INCHES UNLESS OTHERWISE SPECIFIED</small>	<small>.XX:±N/A</small> <small>.XXX:±N/A</small> <small>ANGULAR:±N/A</small>	<small>C</small> <small>SIZE</small>
<small>DO NOT SCALE DRAWING</small>	<small>ENGR:</small> J. GABRIEL NERI <small>DWN:</small> J. GABRIEL NERI	<small>SHT.</small> 1 <small>OF</small> 1	<small>A</small> <small>REV</small>

**DIMENSIONS IN INCHES
THIRD ANGLE PROJECTION**