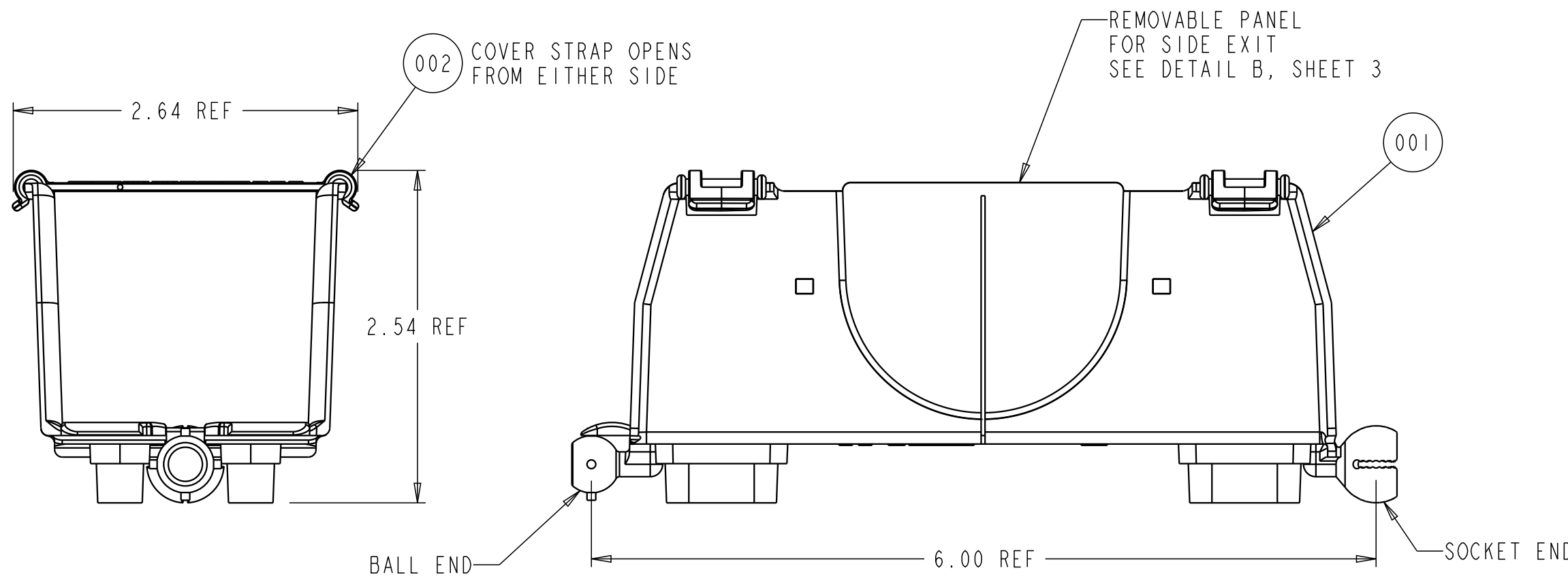
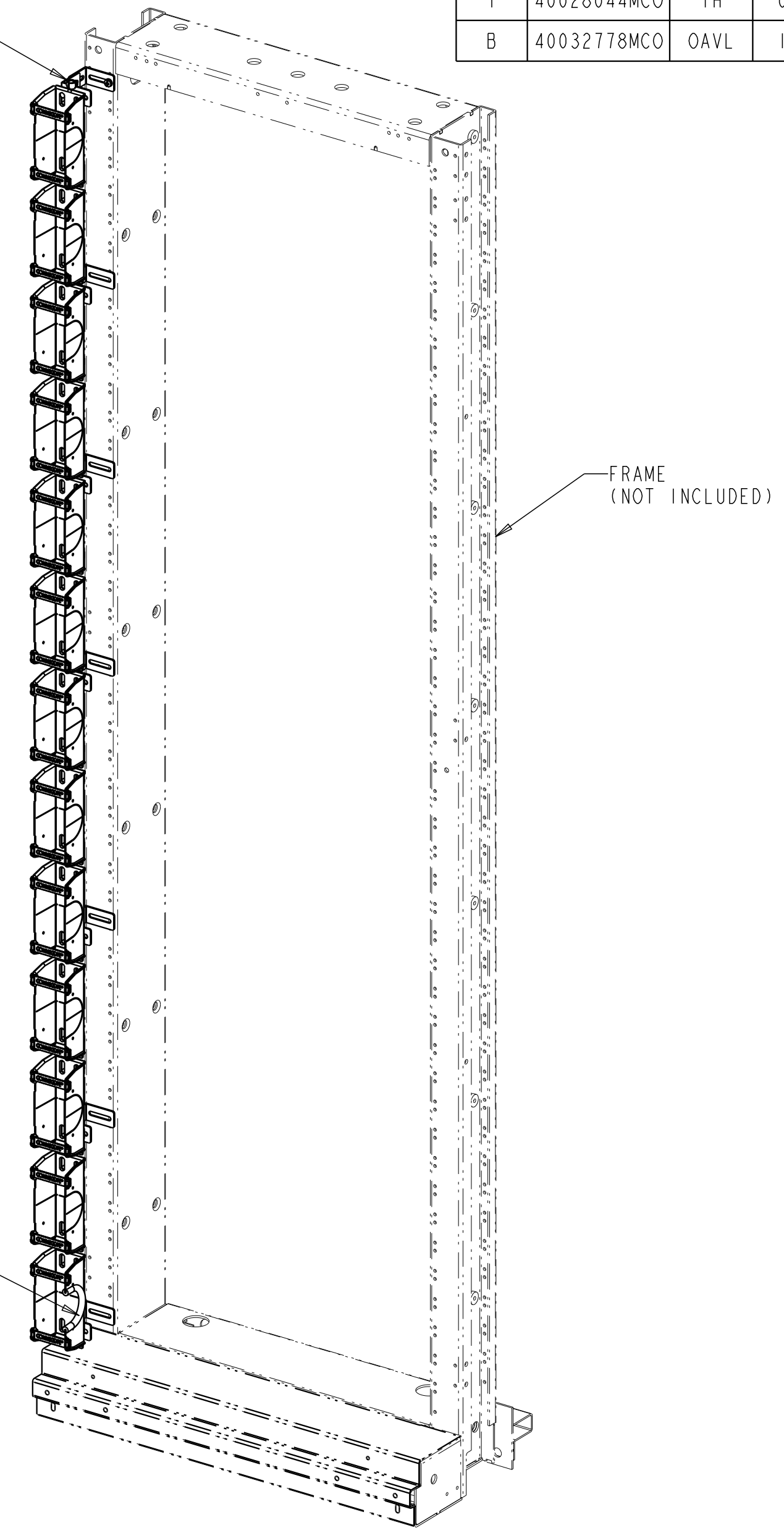


REV.	MCO	DWN	DATE
I	40028044MCO	TH	07-APR-16
B	40032778MCO	OAVL	10-AUG-16

SEE SHEET 2 FOR MOUNTING LOCATIONS AND OPTIONS



2X2 UNIVERSAL TROUGH DIMENSIONS



SEE DETAIL B, SHEET 3 FOR SIDE EXIT INSTRUCTIONS

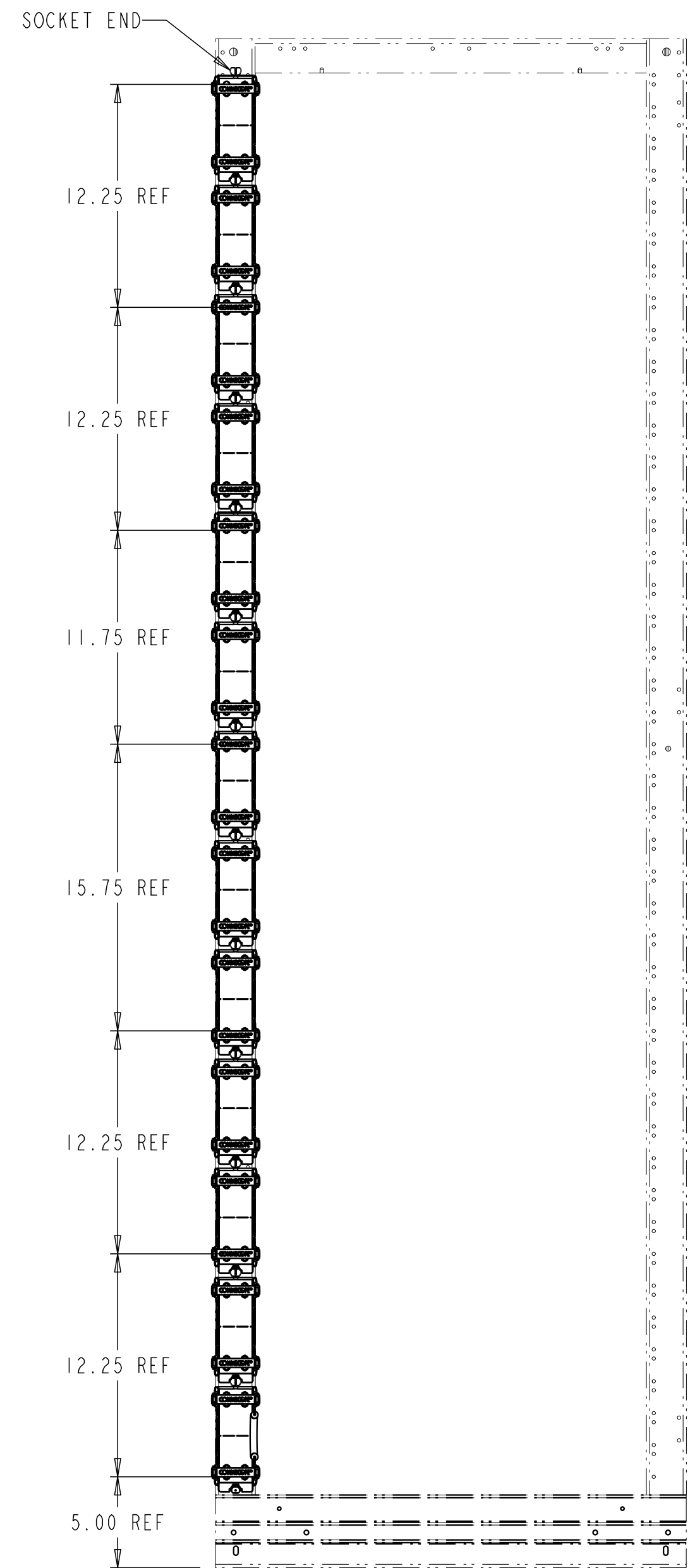
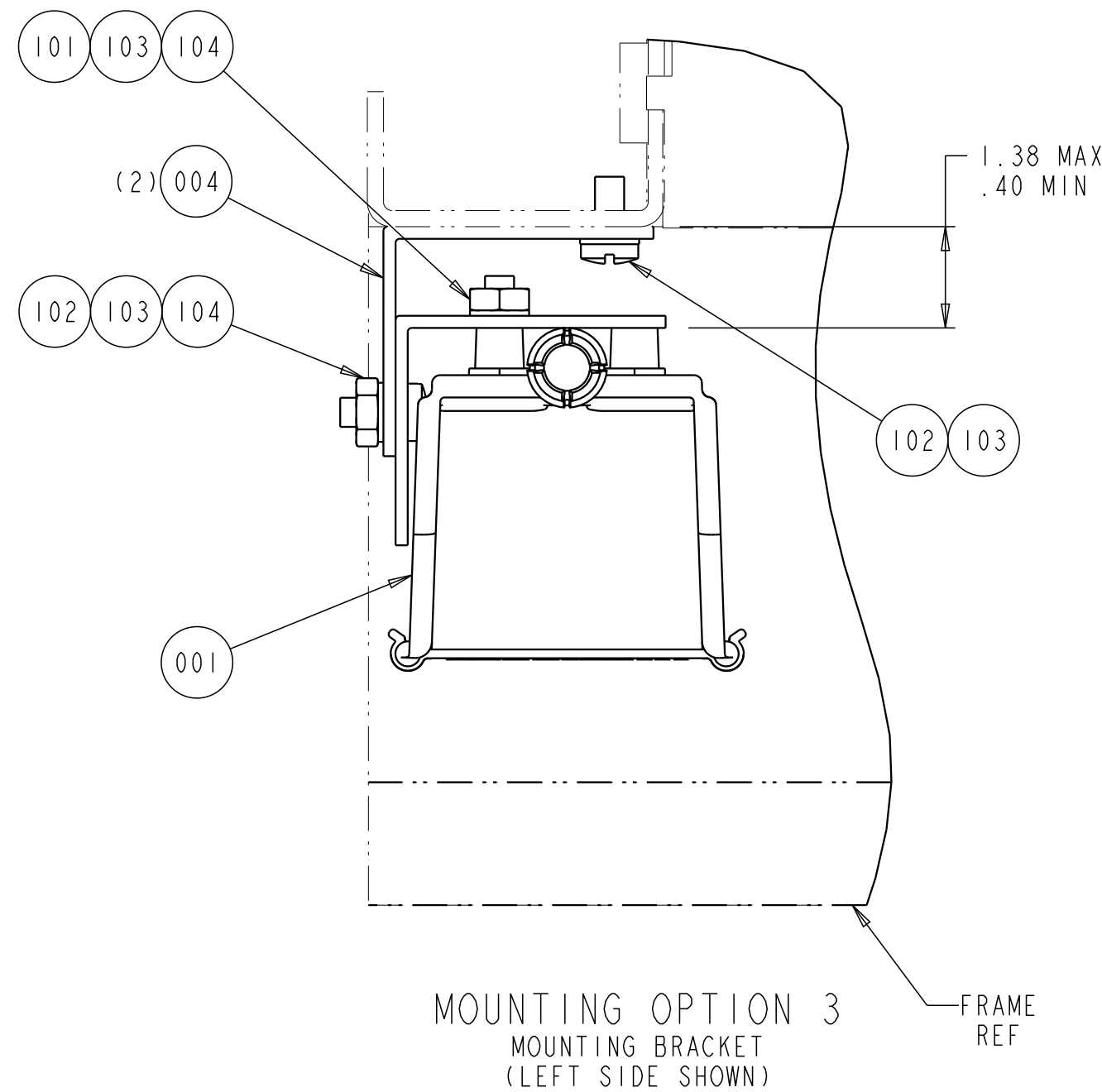
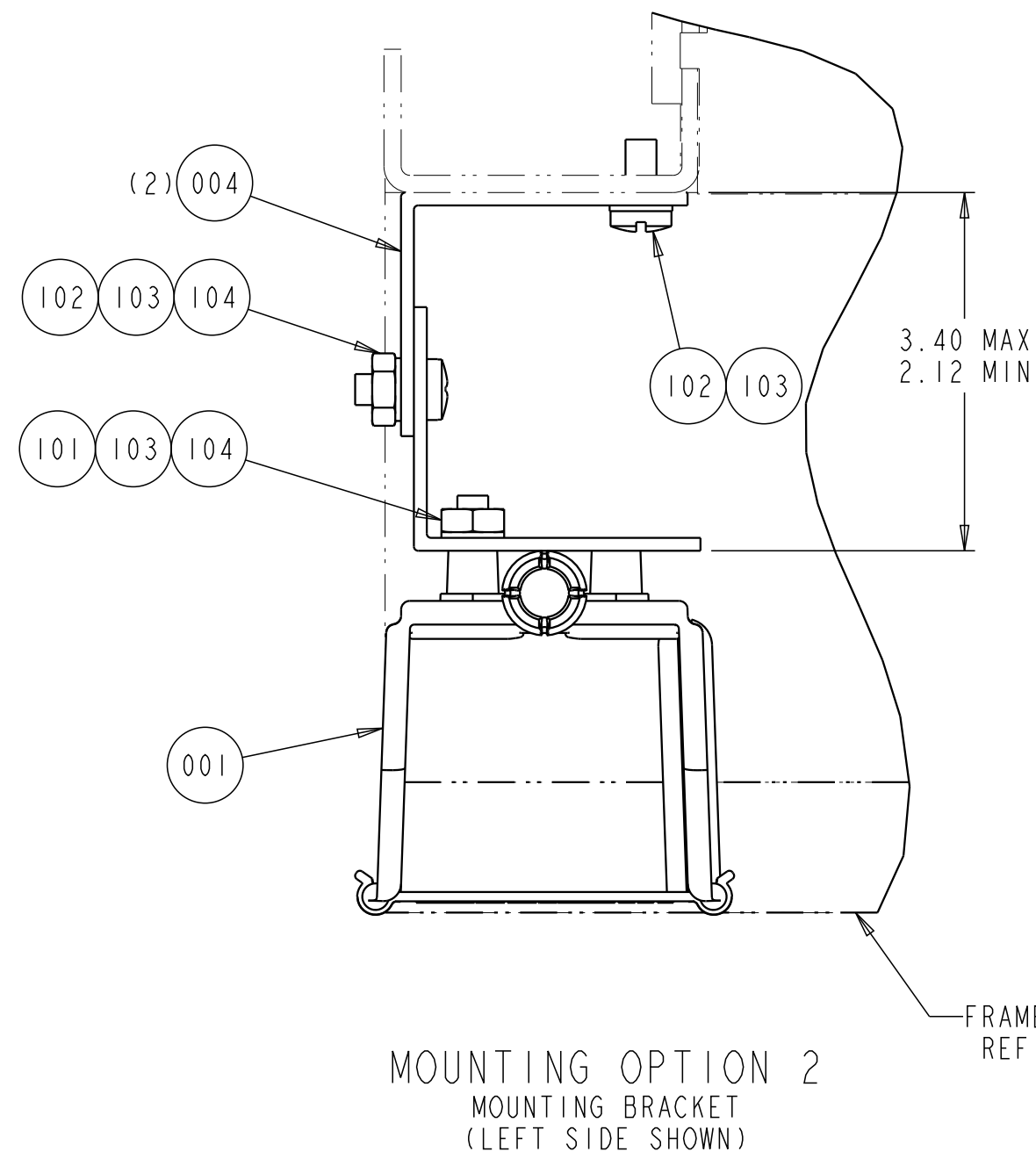
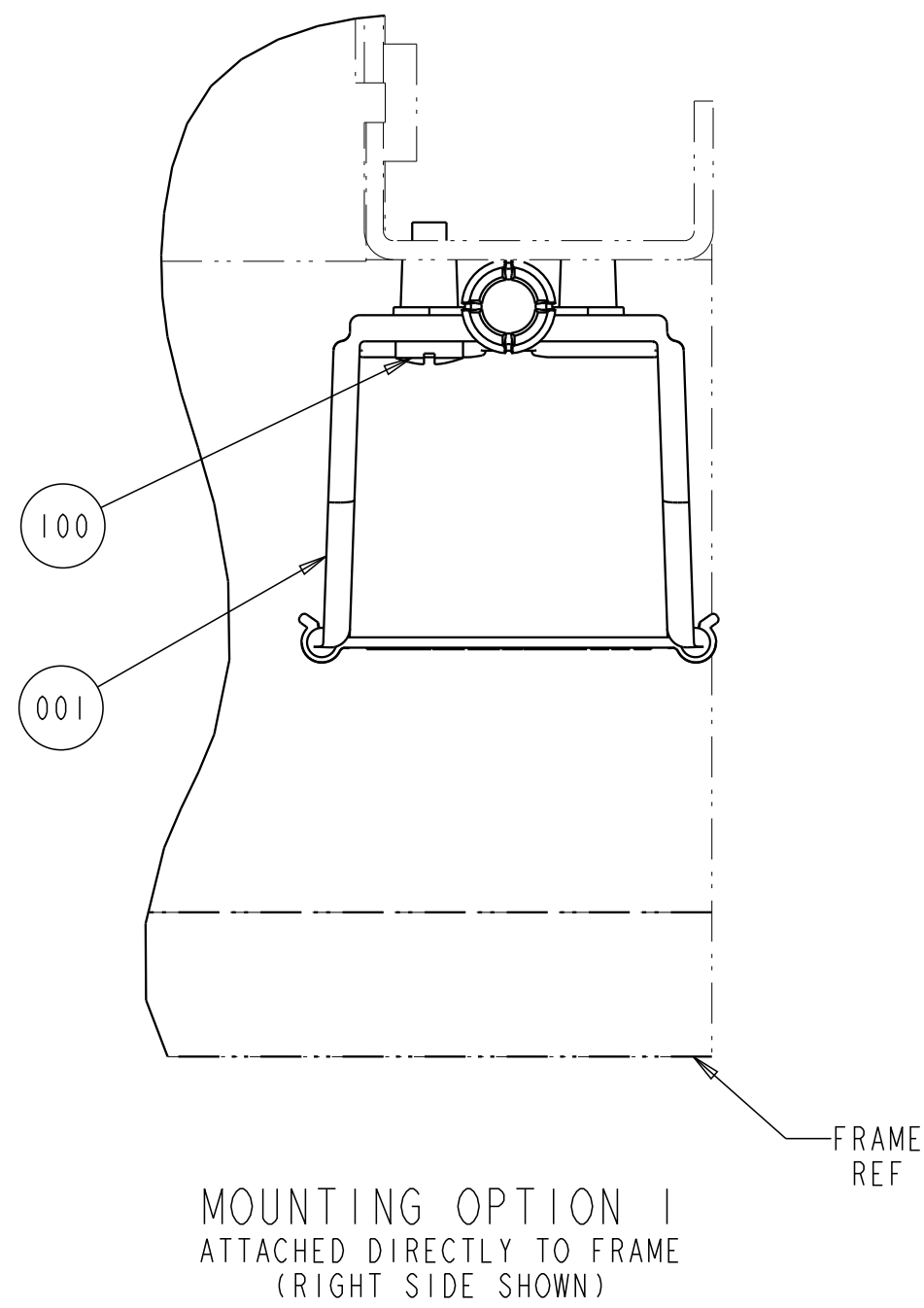
KIT CONTAINS		
ITEM	DESCRIPTION	QUANTITY
001	TROUGH, UNIV, 2X2	14 (7 FT)
002	STRAP, TROUGH	28
003	GROMMET (FOR UP TO 7 EXITS)	3 FT
004	BRACKET, MOUNTING	14
100	SCREW, PAN HEAD, #12-24 X .75	7
101	SCREW, HEX HEAD, #12-24 X .75	7
102	SCREW, PAN HEAD, #12-24 X .50	14
103	WASHER, FLAT, #12	21
104	NUT, #12-24	14

CATALOG NO.: FGS-FLEXVAD-7F-C

COMMSCOPE, INC.

<small>© 2016 COMMSCOPE, INC. CONFIDENTIAL NOTICE: THESE DRAWINGS AND SPECIFICATIONS ARE THE PROPRIETARY PROPERTY OF COMMSCOPE, INC. AND MAY BE USED ONLY FOR THE SPECIFIC PURPOSE AUTHORIZED IN WRITING BY COMMSCOPE, INC.</small>		TITLE INSTL, KIT, 7FT, 2X2 UNIV ADPTR, FLEXV	
<small>ALL DIMS AND TOLERANCES ARE INCHES UNLESS OTHERWISE SPECIFIED</small>	<small>.XX:±N/A .XXX:±N/A ANGULAR:±N/A</small>	C SIZE DRAWING NUMBER 300100115181	B REV
DO NOT SCALE DRAWING		ENGR: JIM SOLHEID DWN: TIM HAATAJA	SHT. 1 OF 3

DIMENSIONS IN INCHES
THIRD ANGLE PROJECTION



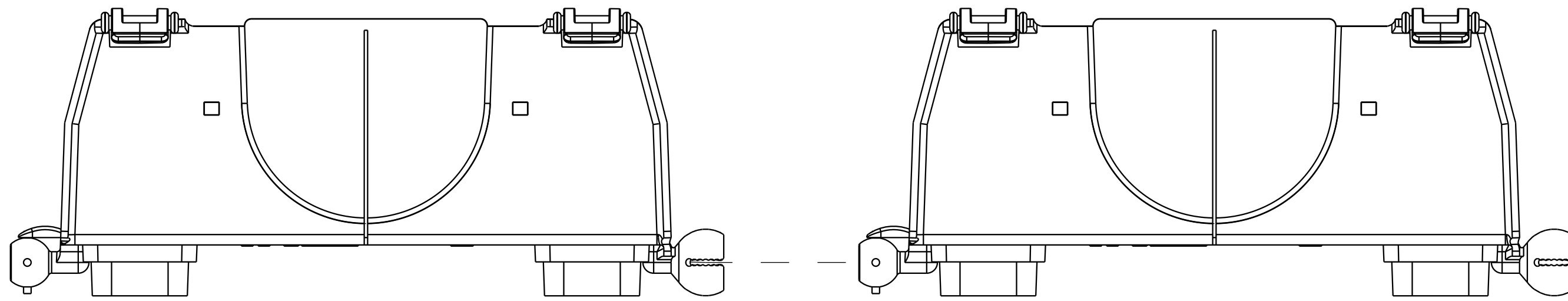
INSTALLATION INSTRUCTIONS:

1. IF NEEDED, ASSEMBLE MOUNTING BRACKETS TO FRAME, SEE MOUNTING OPTIONS ON THIS SHEET.
2. ASSEMBLE VERTICAL TROUGH, SEE DETAIL A, SHEET 3. IF USING SIDE EXITS SEE DETAIL B, SHEET 3.
3. ASSEMBLE VERTICAL TROUGH TO FRAME OR BRACKETS, SOCKET END AT THE TOP. SEE MOUNTING OPTIONS ON THIS SHEET.
4. ATTACH TOP PIECE TO EXISTING FLEX TROUGH.

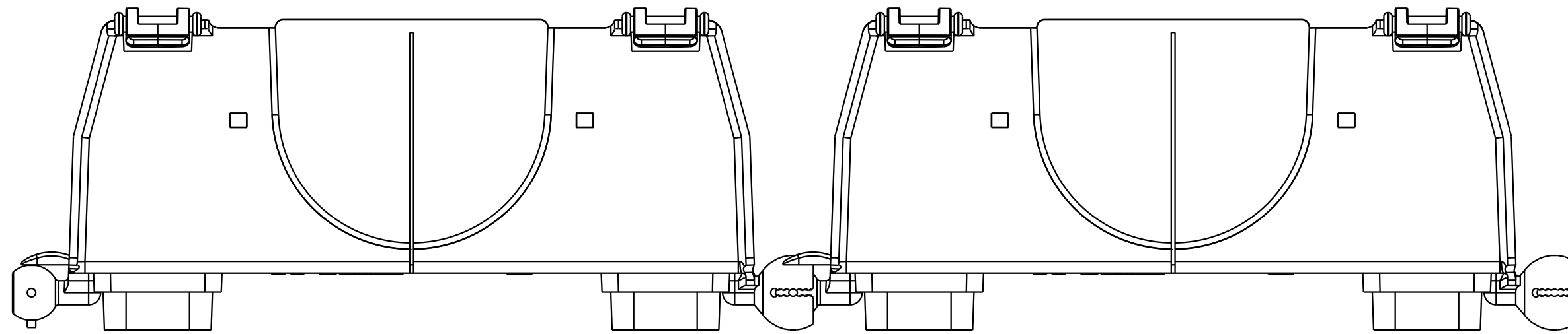
COMMSCOPE, INC.

© 2016 COMMSCOPE, INC. CONFIDENTIAL NOTICE: THESE DRAWINGS AND SPECIFICATIONS ARE THE PROPRIETARY PROPERTY OF COMMSCOPE, INC. AND MAY BE USED ONLY FOR THE SPECIFIC PURPOSE AUTHORIZED IN WRITING BY COMMSCOPE, INC.		TITLE INSTL, KIT, 7FT, 2X2 UNIV ADPTR, FLEXV	
ALL DIMS AND TOLERANCES ARE INCHES UNLESS OTHERWISE SPECIFIED	.XX:±N/A .XXX:±N/A ANGULAR:±N/A	C SIZE	DRAWING NUMBER 300100115181
DO NOT SCALE DRAWING		ENGR: JIM SOLHEID DWN: TIM HAATAJA	B REV
		SHT. 2 OF 3	

DIMENSIONS IN INCHES
THIRD ANGLE PROJECTION



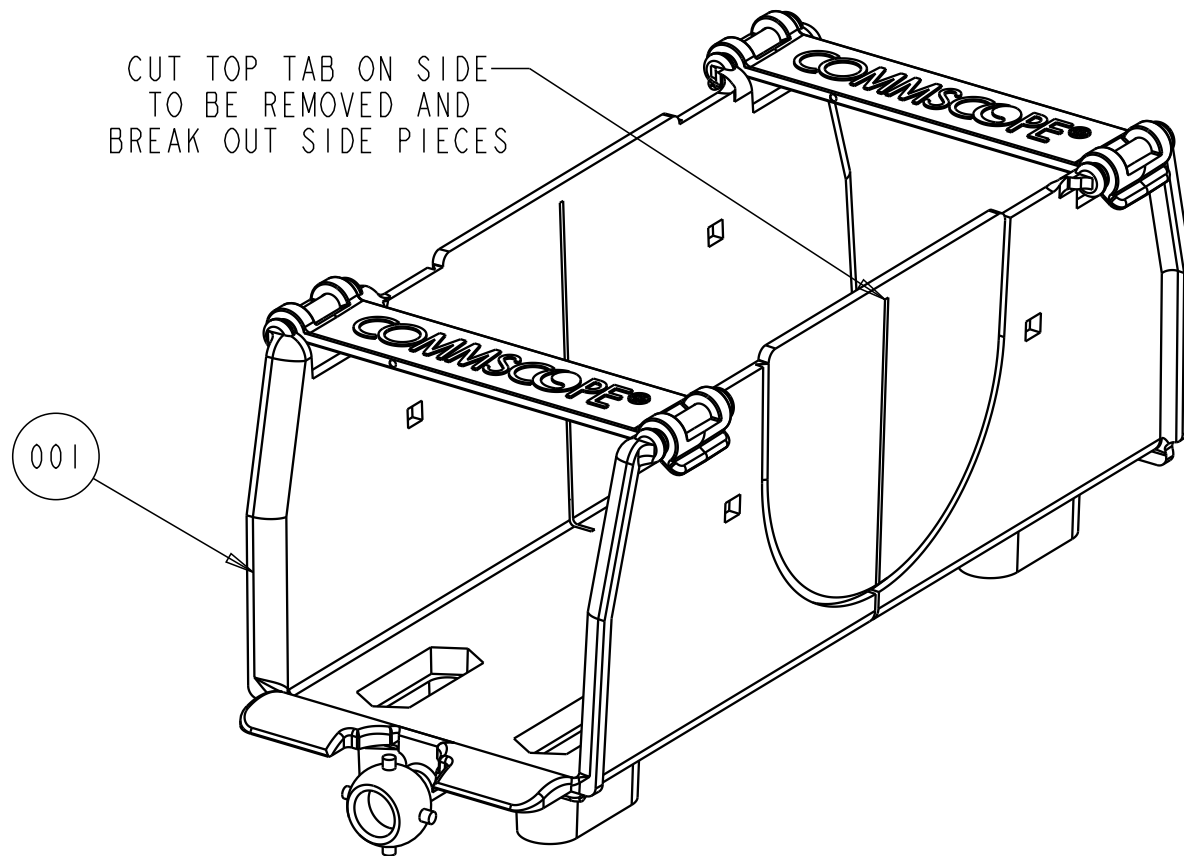
ALIGN BALL AND SOCKET
ON TROUGH PIECES



INSERT BALL INTO SOCKET
UNTIL FULLY SEATED

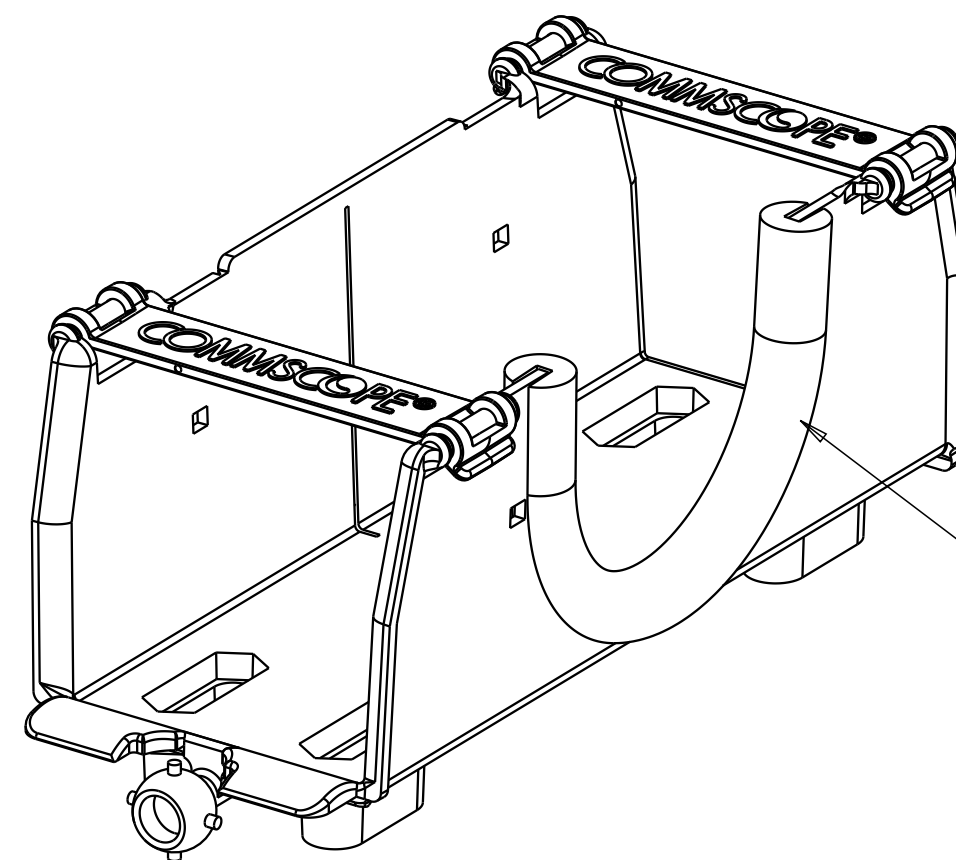
DETAIL A
TROUGH ASSEMBLY

CUT TOP TAB ON SIDE
TO BE REMOVED AND
BREAK OUT SIDE PIECES



DETAIL B
GROMMET INSTALLATION
(IF USING SIDE EXIT)

003 CUT GROMMET TO
APPROX 4.75" LONG
AND INSTALL



© 2016 COMMSCOPE, INC. CONFIDENTIAL
NOTICE: THESE DRAWINGS AND SPECIFICATIONS
ARE THE PROPRIETARY PROPERTY OF
COMMSCOPE, INC. AND MAY BE USED ONLY FOR THE
SPECIFIC PURPOSE AUTHORIZED IN WRITING BY
COMMSCOPE, INC.

TITLE
INSTL, KIT, 7FT, 2X2
UNIV ADPTR, FLEXV

COMMSCOPE, INC.

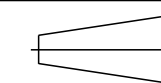
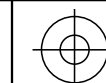
ALL DIMS AND TOLERANCES .XX:±.XX
ARE INCHES UNLESS .XXX:±.XXX
OTHERWISE SPECIFIED ANGULAR:±N/A

C SIZE DRAWING NUMBER
300100115181 B REV

DO NOT SCALE DRAWING

ENGR: JIM SOLHEID
DWN: TIM HAATAJA

SHT. 3 OF 3



DIMENSIONS IN INCHES
THIRD ANGLE PROJECTION