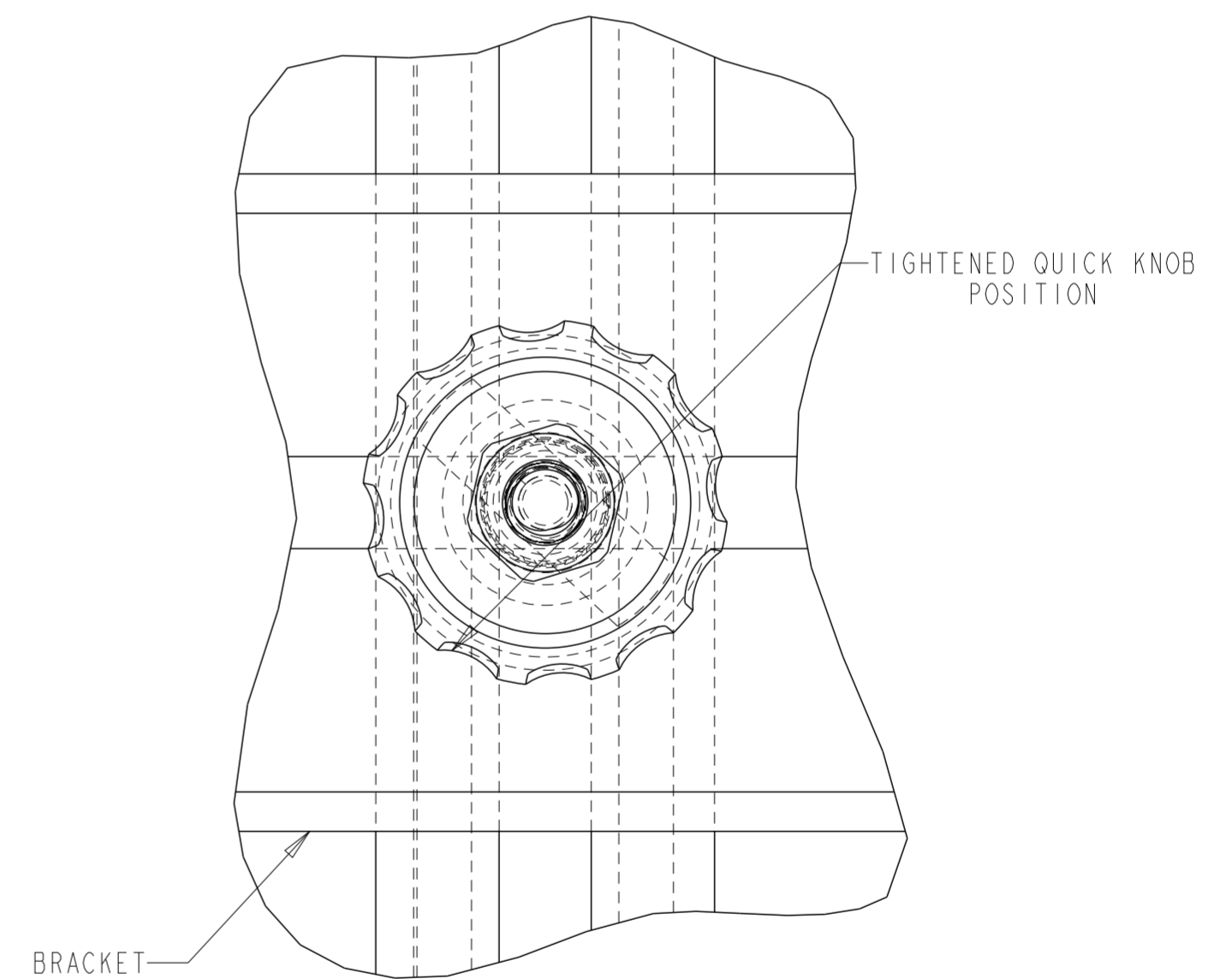
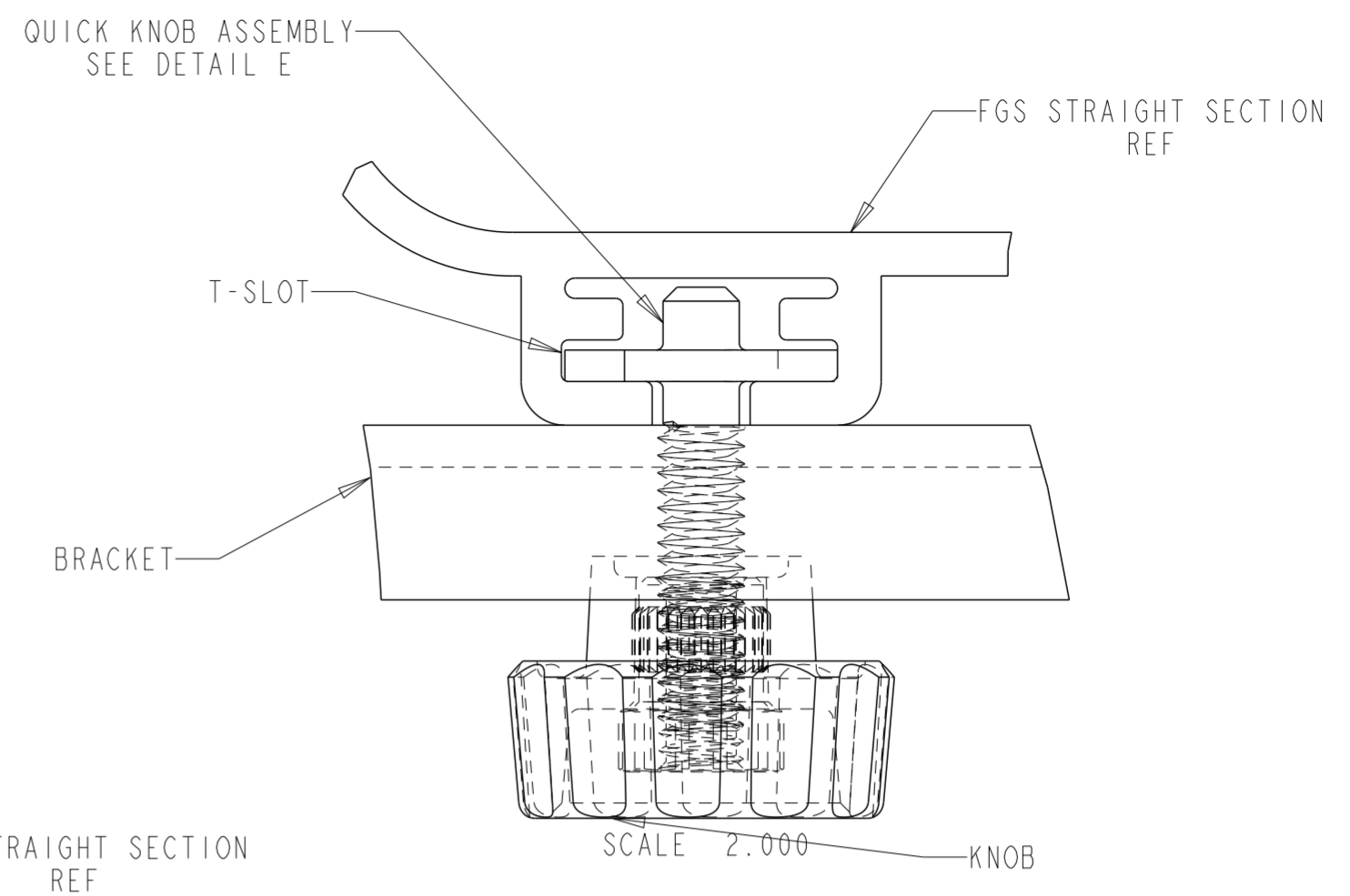
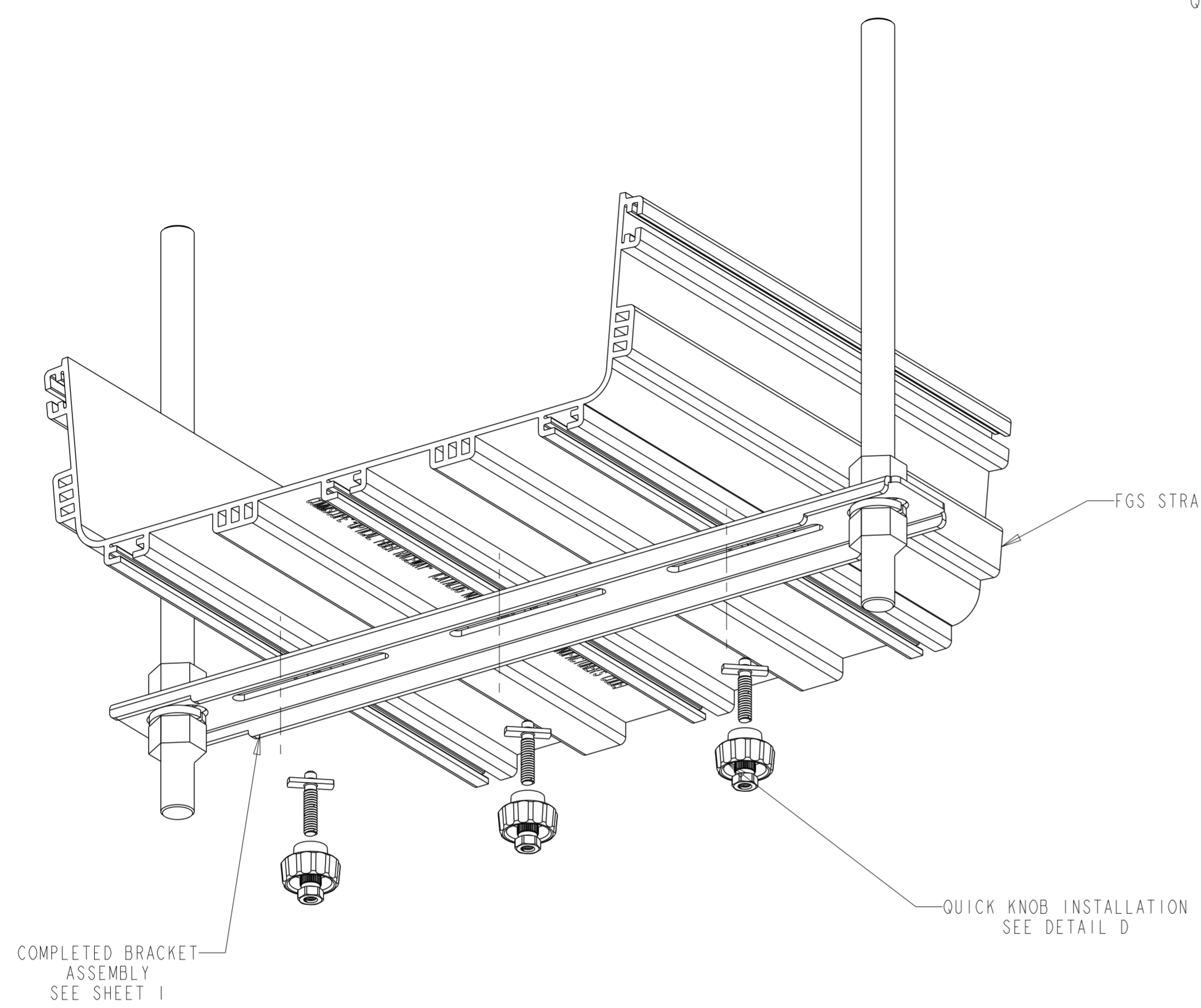




# QUICK KNOB MOUNTING

FOR MOUNTING STRAIGHT SECTIONS ONLY



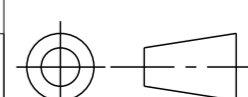
**DETAIL D**  
QUICK KNOB INSTALLATION  
BOTTOM VIEW  
TYP (3) PLACES

**QUICK KNOB INSTALLATION INSTRUCTIONS:**

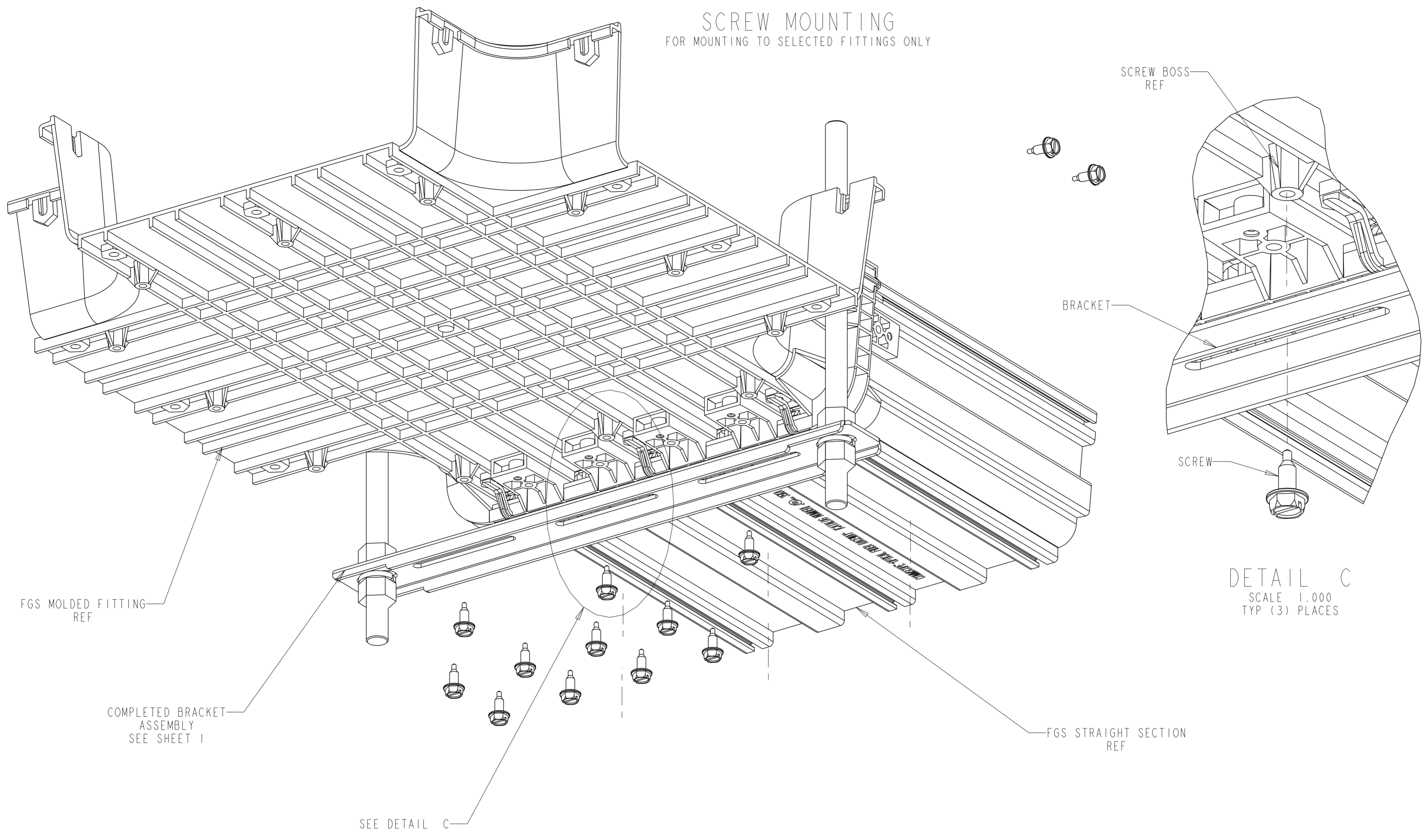
1. INSERT QUICK KNOB THROUGH BRACKET, ROTATE 90°, AND INTO T-SLOT IN FGS STRAIGHT SECTION. ROTATE QUICK KNOB CLOCKWISE SUCH THAT THE FLANGES EXTEND INTO T-SLOT. TIGHTEN KNOB. SEE DETAIL D.

<b>COMMSCOPE, INC.</b>			
TITLE KIT, TRAPEZE 12FGS			
SIZE A2	SCALE 0.500	DOCUMENT NO. <b>1168664_ADC</b>	
DRAWING			SHEET
VERSION STATUS REVISION			2 OF 3
03 RE G			

© 2022 Commscope, Inc. Confidential  
NOTICE: These drawings and specifications are the proprietary property of COMMSCOPE, INC. and may be used only for the specific purpose authorized in writing by COMMSCOPE, INC.



SCREW MOUNTING  
FOR MOUNTING TO SELECTED FITTINGS ONLY



DETAIL C  
SCALE 1.000  
TYP (3) PLACES

**SCREW INSTALLATION INSTRUCTIONS:**

1. INSERT SCREW THROUGH BRACKET AND INTO SCREW BOSS ON MOLDED FITTING. TIGHTEN SCREW WITH WRENCH. SEE DETAIL C.

\* NOTE - IF MOUNTING BRACKET TO FITTINGS, BRACKET MUST BE POSITIONED APPROXIMATELY 3/8" LOWER THAN BRACKETS USED ON STRAIGHT SECTIONS.

<b>COMMSCOPE, INC.</b>			
TITLE KIT, TRAPEZE 12FGS			
SIZE A2	SCALE 0.500	DOCUMENT NO. <b>1168664_ADC</b>	
DRAWING			SHEET
VERSION STATUS REVISION			3 OF 3
03 RE G			

© 2022 CommScope, Inc. Confidential  
NOTICE: These drawings and specifications are the proprietary property of COMMSCOPE, INC. and may be used only for the specific purpose authorized in writing by COMMSCOPE, INC.