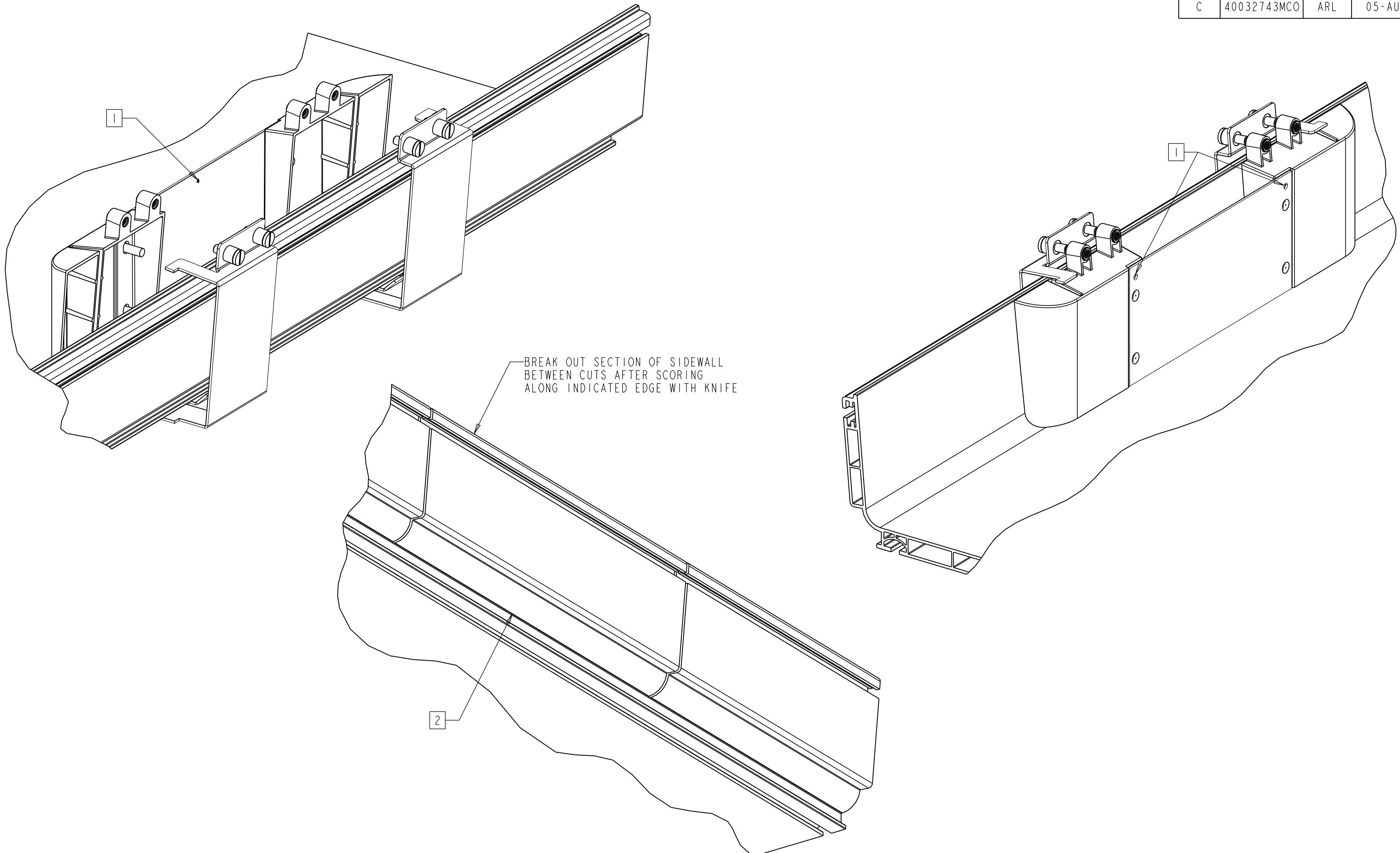


REV	MCO	DWN	DATE
B	40024739MCO	HUH	17-SEP-15
C	40032743MCO	ARL	05-AUG-16



OUTSIDE OF TROUGH AFTER CUTTING SIDEWALLS WITH SAW

**NOTES:**

- 1 FOR PROPER FIT AGAINST TROUGH, HOLES NEED TO BE AT THE TOP OF THE CENTER PLATE, THE NUMBER INDICATING THE SIZE IS ALSO AT THE TOP OF THE PLATE.
- 2 SCORE ALONG THIS EDGE WITH UTILITY KNIFE BETWEEN CUTS UNTIL SIDEWALL CAN BE BROKEN OUT.

FGS-MHIS-F/H	3 - (12") SHEET 4 & 5
FGS-MHIS-B/H	2 - (6") SHEET 3
FGS-MHIS-A/H	1 - (4") SHEET 2
<b>CATALOG NUMBER</b>	<b>FIGURE - (SIZE)</b>

© 2016 COMMSCOPE, INC. CONFIDENTIAL NOTICE: THESE DRAWINGS AND SPECIFICATIONS ARE THE PROPRIETARY PROPERTY OF COMMSCOPE, INC. AND MAY BE USED ONLY FOR THE SPECIFIC PURPOSE AUTHORIZED IN WRITING BY COMMSCOPE, INC.		TITLE FGS 24" ADAPTERS HORZ CUT-IN 4X4, 4X6, 4X12 INSTALLATION DRAWING	
ALL DIMS AND TOLERANCES ARE INCHES UNLESS OTHERWISE SPECIFIED	.XX:±N/A .XXX:±N/A ANGULAR:±N/A	C SIZE	DRAWING NUMBER 300100103922
DO NOT SCALE DRAWING	ENGR: RUBEN ARVILLA DWN: OMAR A. VALDEZ	SHT. 1 OF 5	

COMMSCOPE, INC.

DIMENSIONS IN INCHES  
THIRD ANGLE PROJECTION

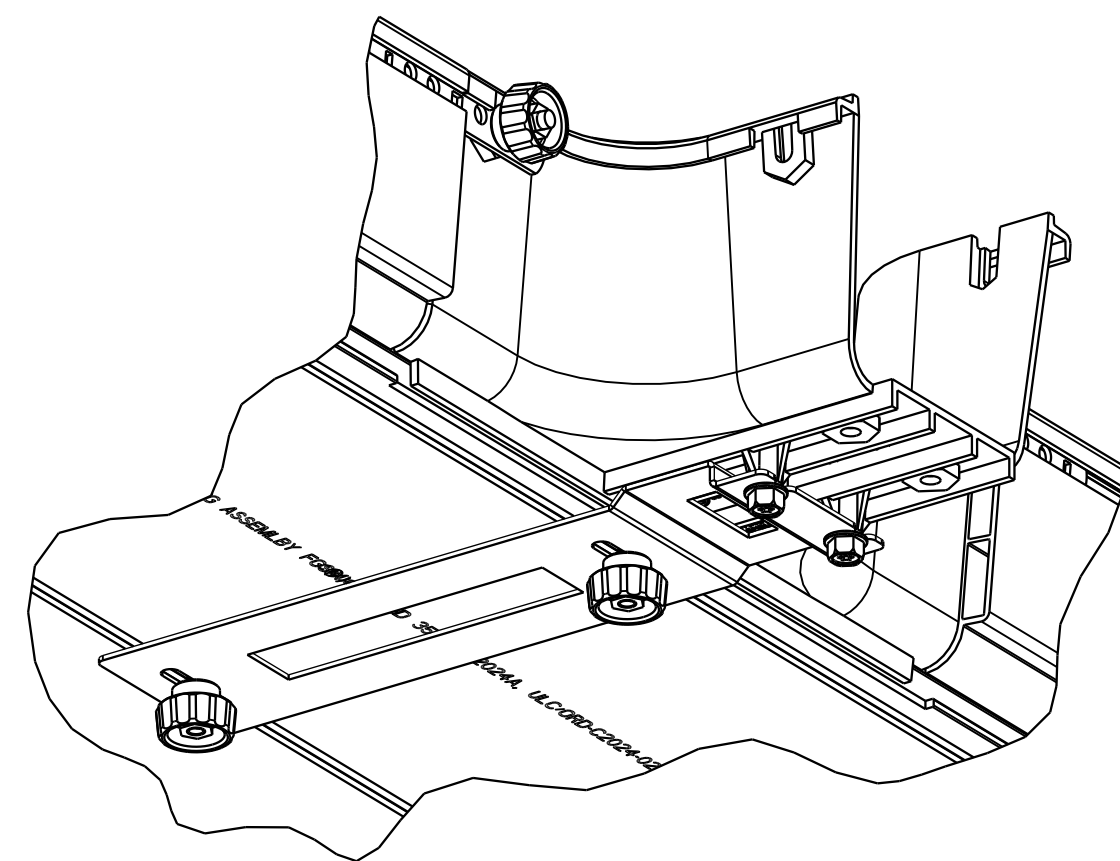
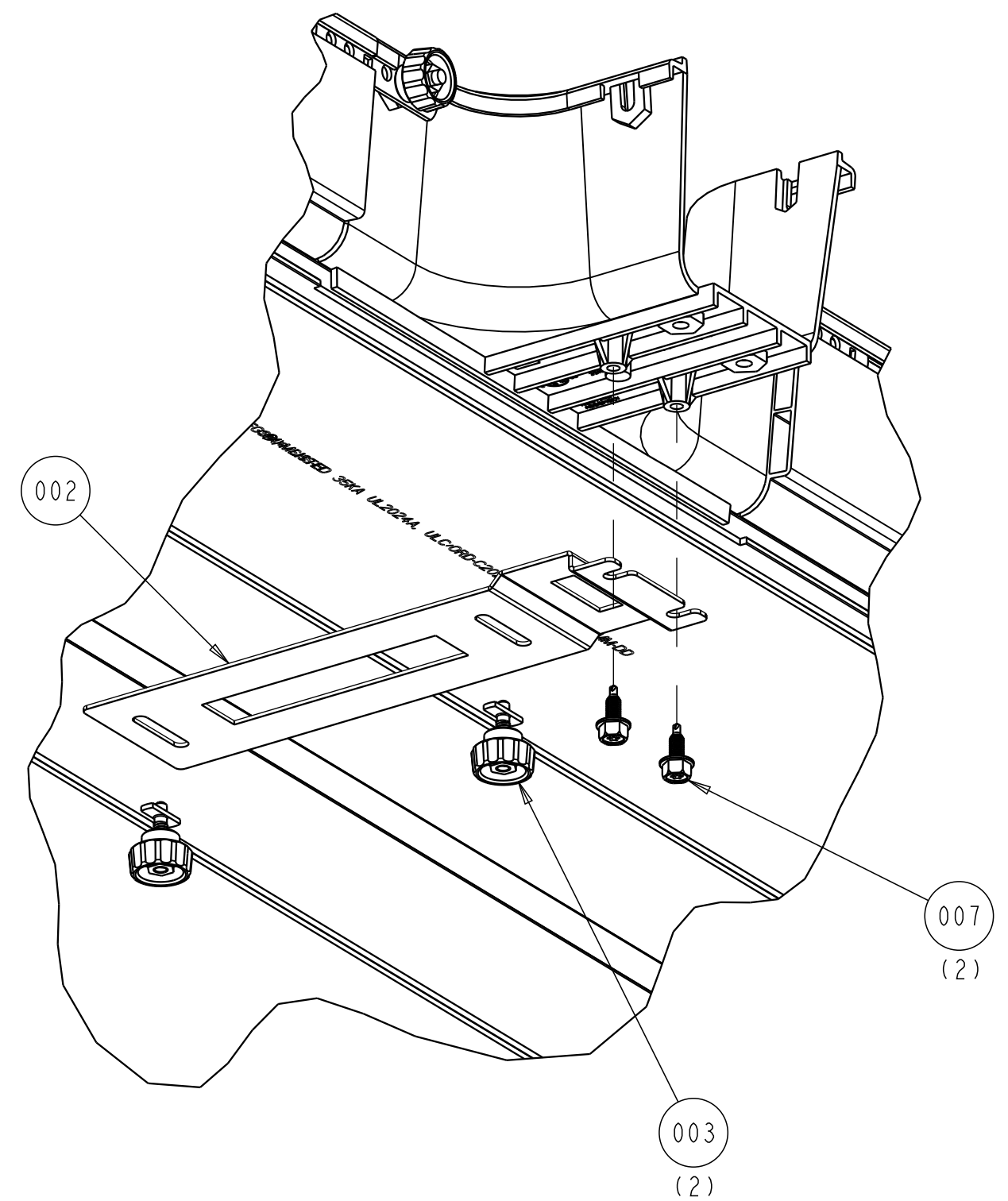
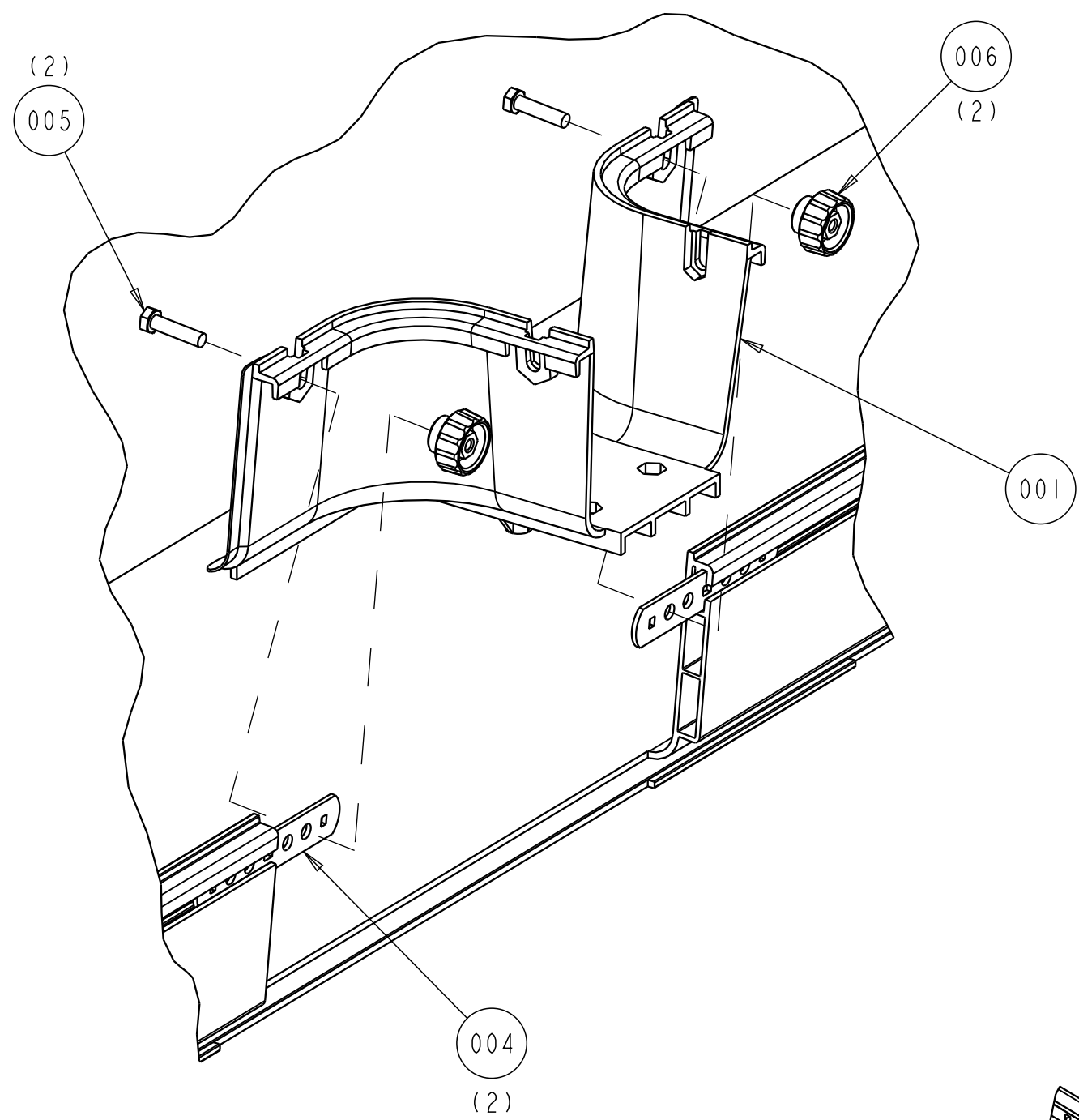
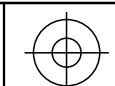


FIGURE 1

COMPLETED INSTALLATION

COMMSCOPE, INC.

<small>© 2016 COMMSCOPE, INC. CONFIDENTIAL          NOTICE: THESE DRAWINGS AND SPECIFICATIONS          ARE THE PROPRIETARY PROPERTY OF          COMMSCOPE, INC. AND MAY BE USED ONLY FOR THE          SPECIFIC PURPOSE AUTHORIZED IN WRITING BY          COMMSCOPE, INC.</small>		TITLE FGS 24" ADAPTERS HORZ CUT-IN 4X4, 4X6, 4X12 INSTALLATION DRAWING	
<small>ALL DIMS AND TOLERANCES .XX:±N/A          ARE INCHES UNLESS .XXX:±N/A          OTHERWISE SPECIFIED ANGULAR:±N/A</small>	C SIZE	DRAWING NUMBER 300100103922	C REV
DO NOT SCALE DRAWING	ENGR: RUBEN ARVILLA DWN: OMAR A. VALDEZ	SHT. 2 OF 5	



DIMENSIONS IN INCHES  
THIRD ANGLE PROJECTION

A

B

C

D

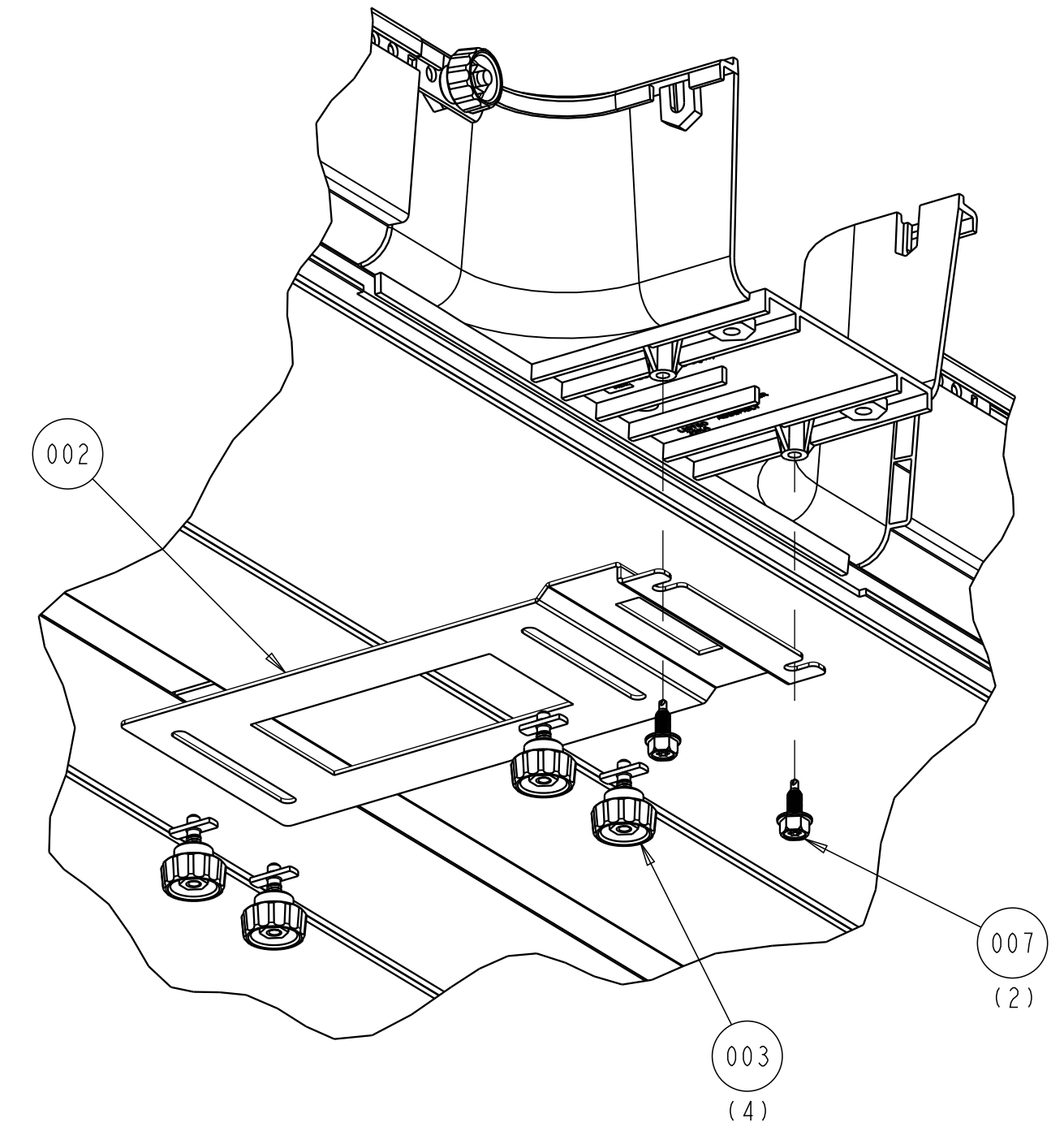
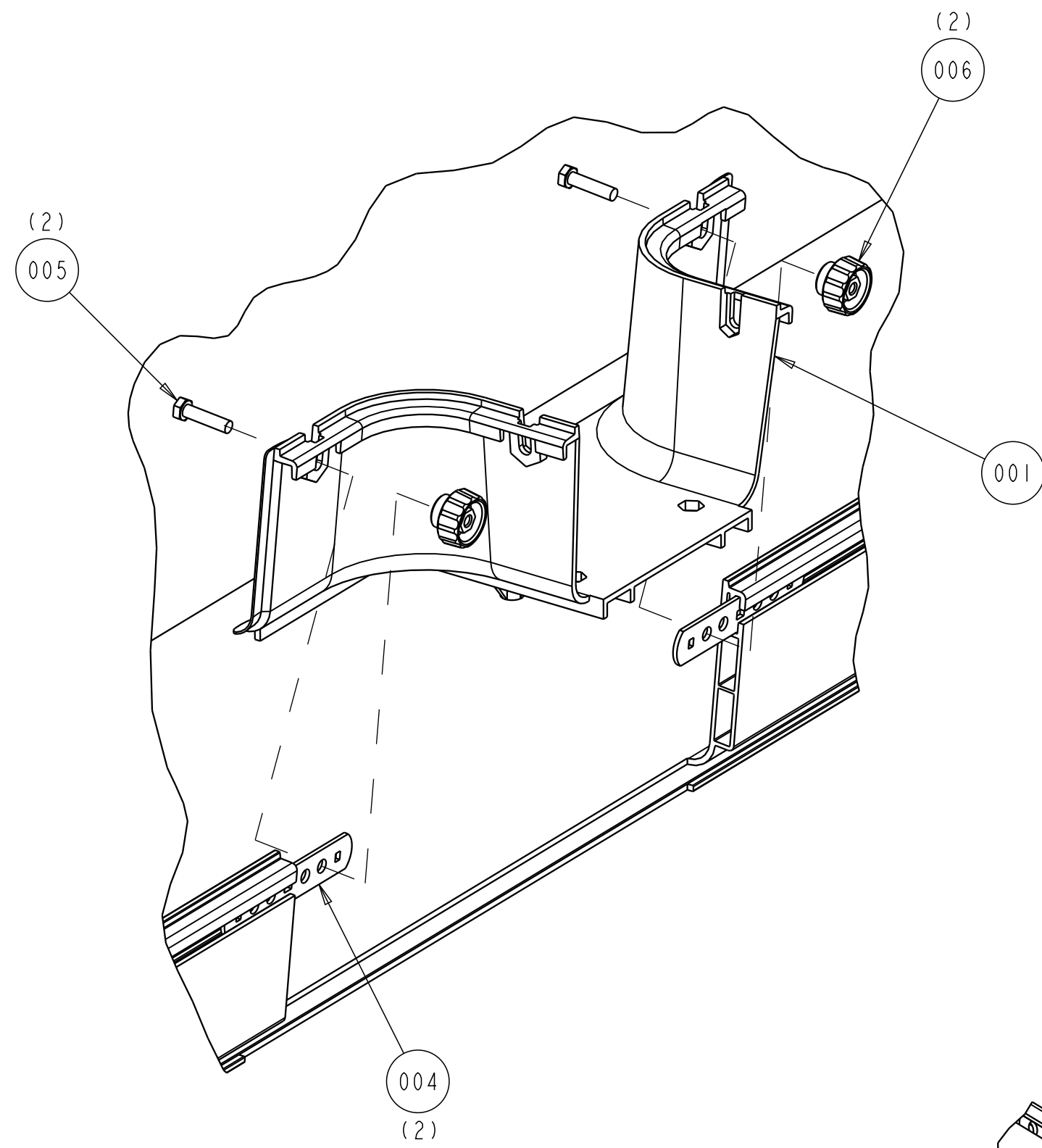
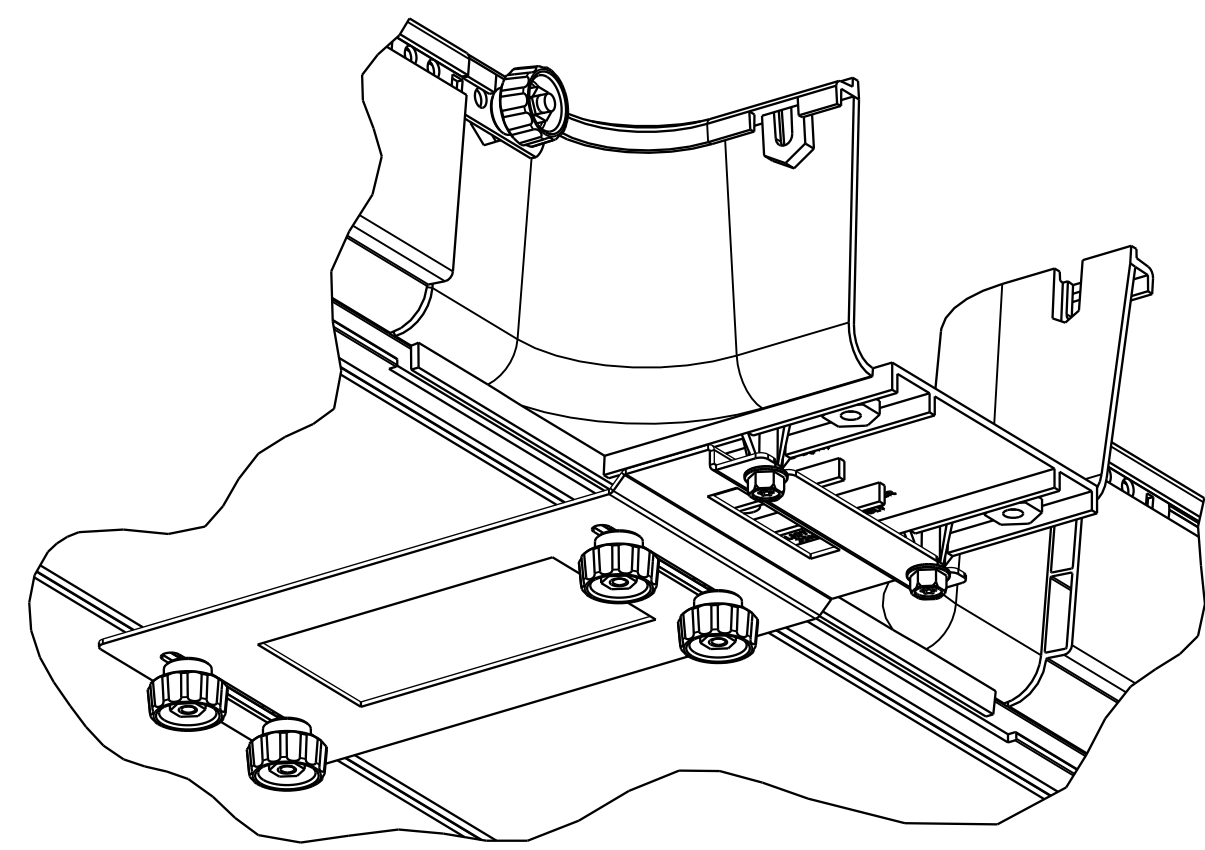


FIGURE 2



COMPLETED INSTALLATION

COMMSCOPE, INC.

© 2016 COMMSCOPE, INC. CONFIDENTIAL  
 NOTICE: THESE DRAWINGS AND SPECIFICATIONS  
 ARE THE PROPRIETARY PROPERTY OF  
 COMMSCOPE, INC. AND MAY BE USED ONLY FOR THE  
 SPECIFIC PURPOSE AUTHORIZED IN WRITING BY  
 COMMSCOPE, INC.  
 ALL DIMS AND TOLERANCES .XX:±N/A  
 ARE INCHES UNLESS .XXX:±N/A  
 OTHERWISE SPECIFIED ANGULAR:±N/A

TITLE	FGS 24" ADAPTERS HORZ CUT-IN 4X4, 4X6, 4X12 INSTALLATION DRAWING	
DRAWING NUMBER	300100103922	
ENGR: RUBEN ARVILLA	DWN: OMAR A. VALDEZ	SHT. 3 OF 5

DO NOT SCALE DRAWING



DIMENSIONS IN INCHES  
THIRD ANGLE PROJECTION

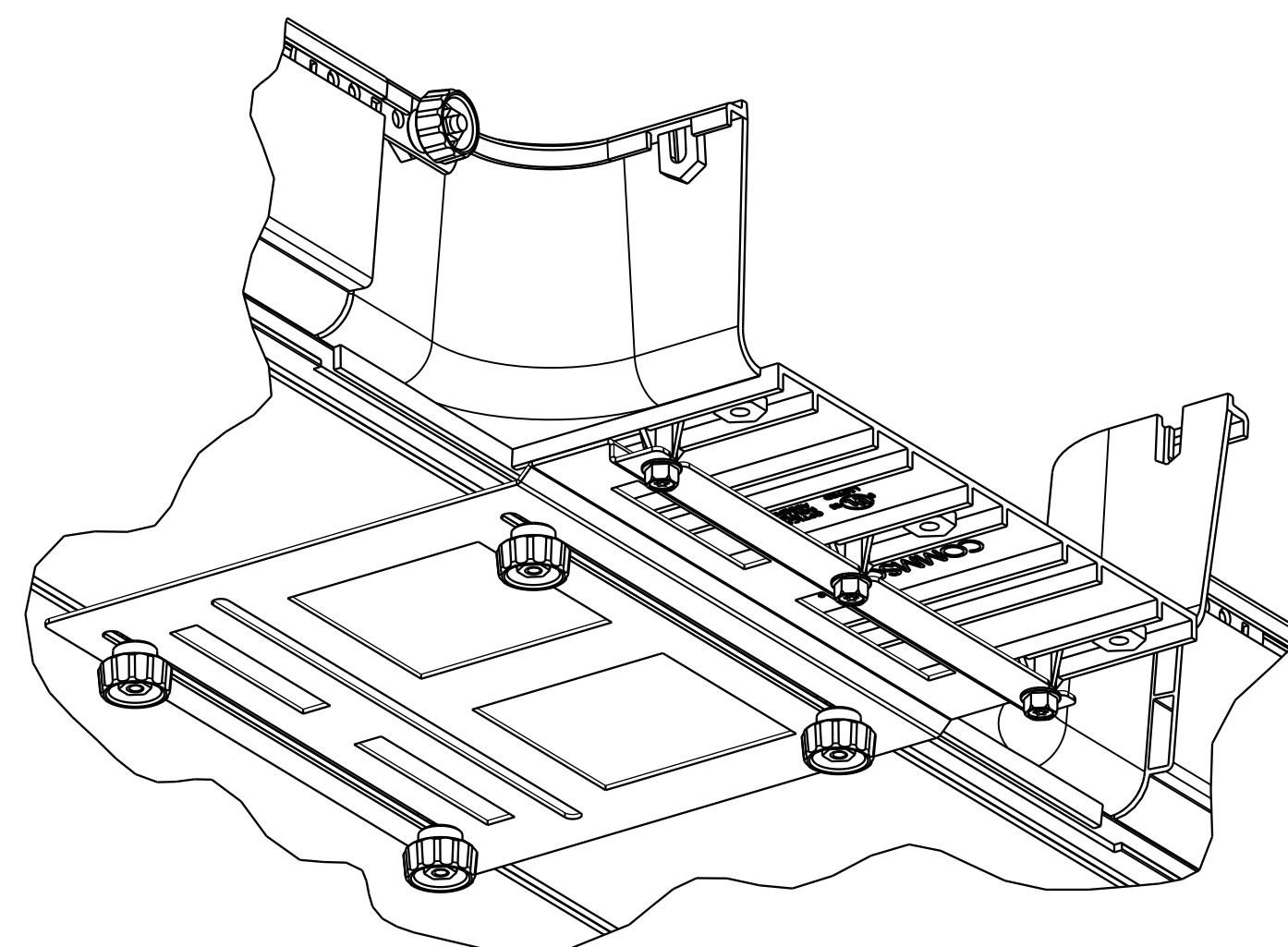
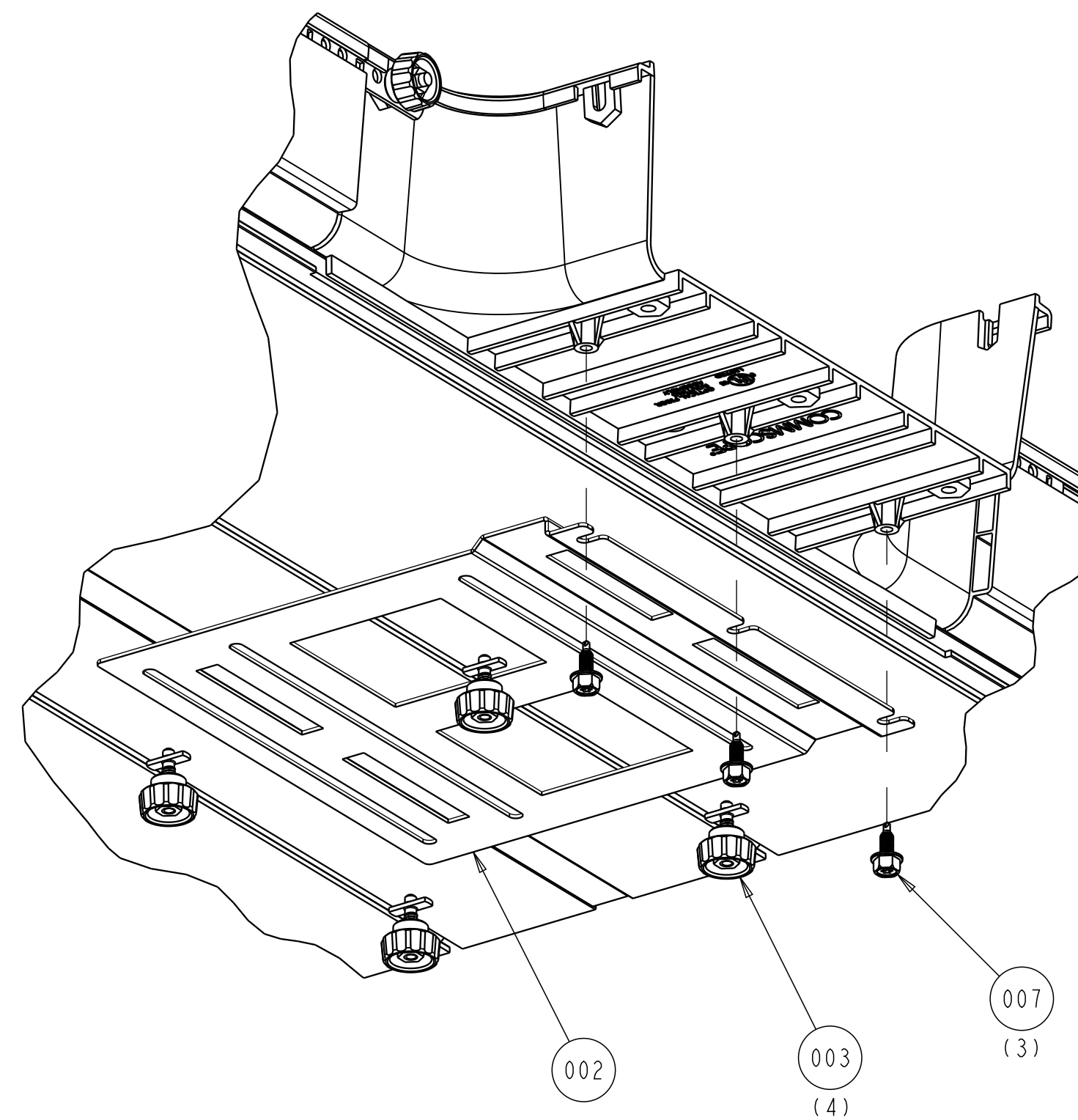
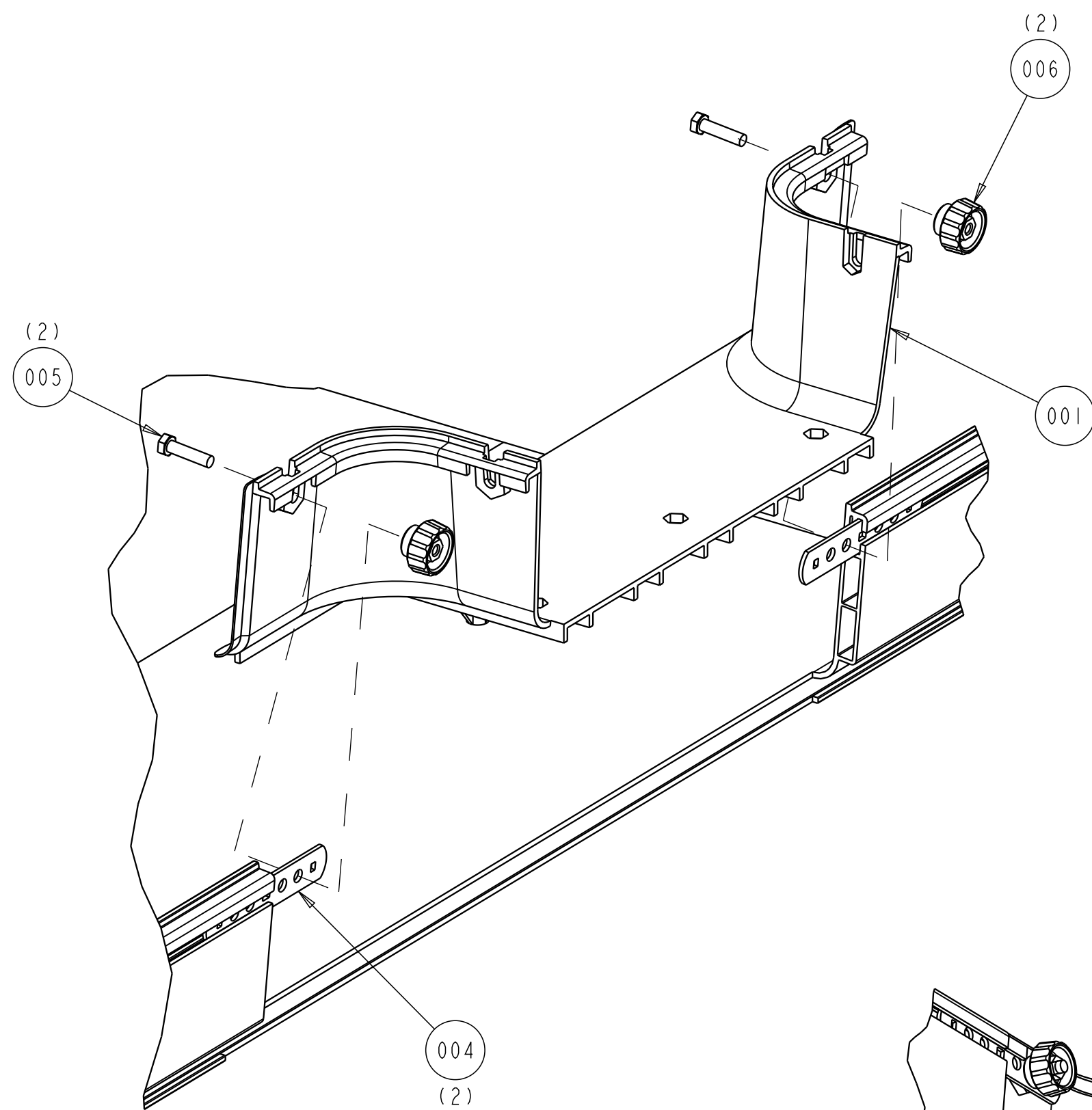


FIGURE 3

COMPLETED INSTALLATION

COMMSCOPE, INC.

<small>© 2016 COMMSCOPE, INC. CONFIDENTIAL          NOTICE: THESE DRAWINGS AND SPECIFICATIONS          ARE THE PROPRIETARY PROPERTY OF          COMMSCOPE, INC. AND MAY BE USED ONLY FOR THE          SPECIFIC PURPOSE AUTHORIZED IN WRITING BY          COMMSCOPE, INC.</small>		TITLE FGS 24" ADAPTERS HORZ CUT-IN 4X4, 4X6, 4X12 INSTALLATION DRAWING	
<small>ALL DIMS AND TOLERANCES .XX:±N/A          ARE INCHES UNLESS .XXX:±N/A          OTHERWISE SPECIFIED ANGULAR:±N/A</small>		C SIZE	DRAWING NUMBER 300100103922
DO NOT SCALE DRAWING		ENGR: RUBEN ARVILLA DWN: OMAR A. VALDEZ	SHT. 4 OF 5

DIMENSIONS IN INCHES  
 THIRD ANGLE PROJECTION

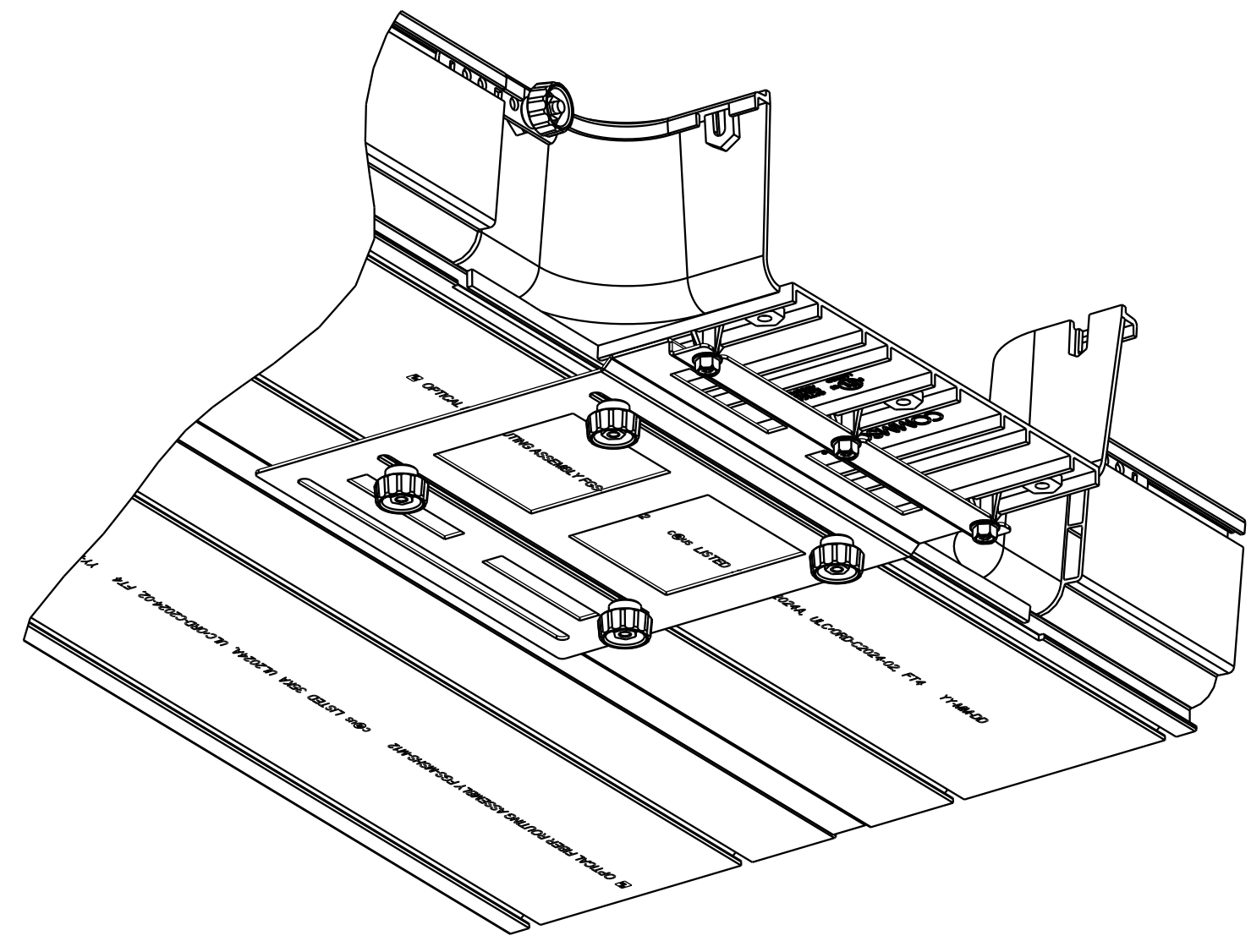
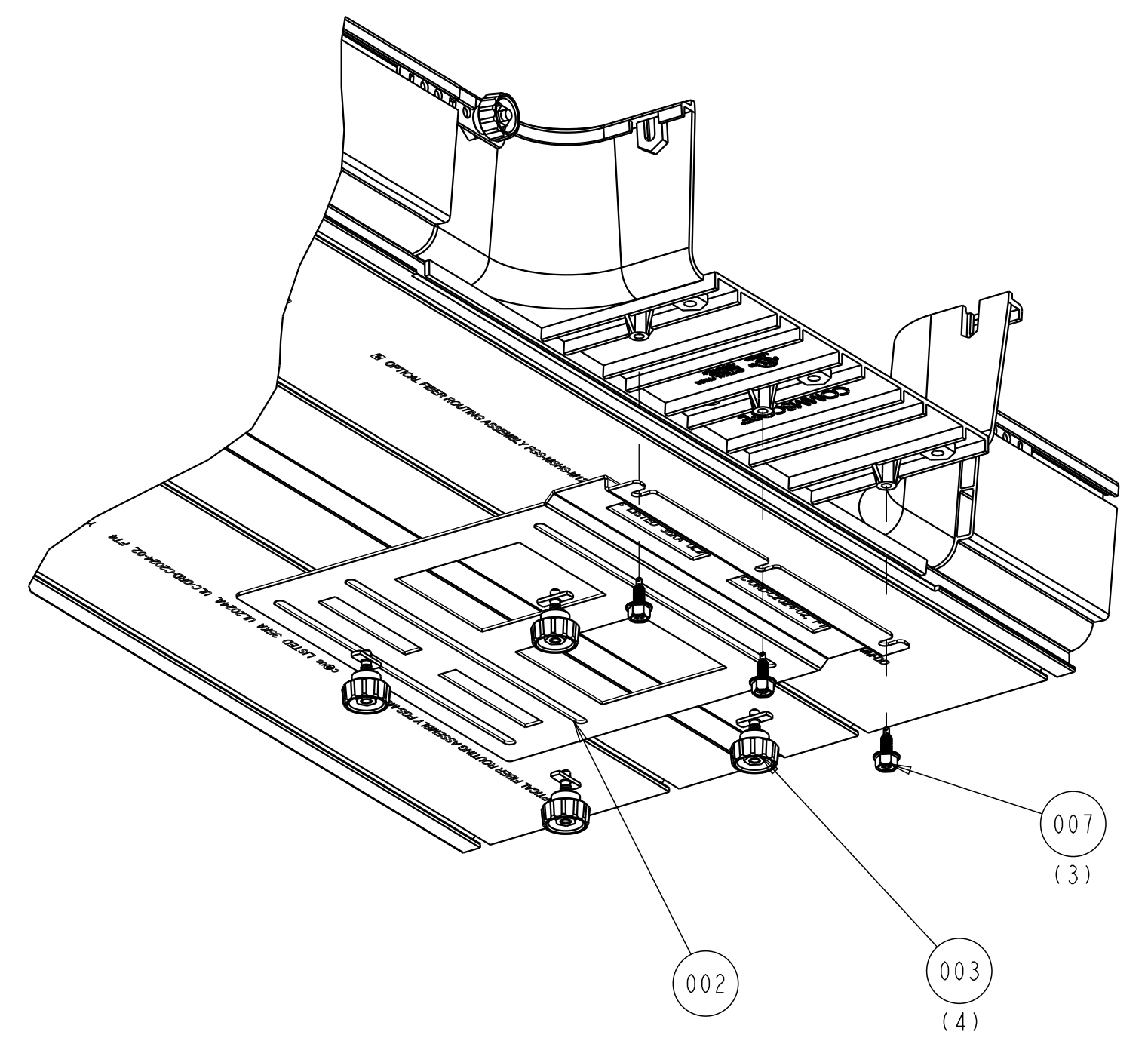
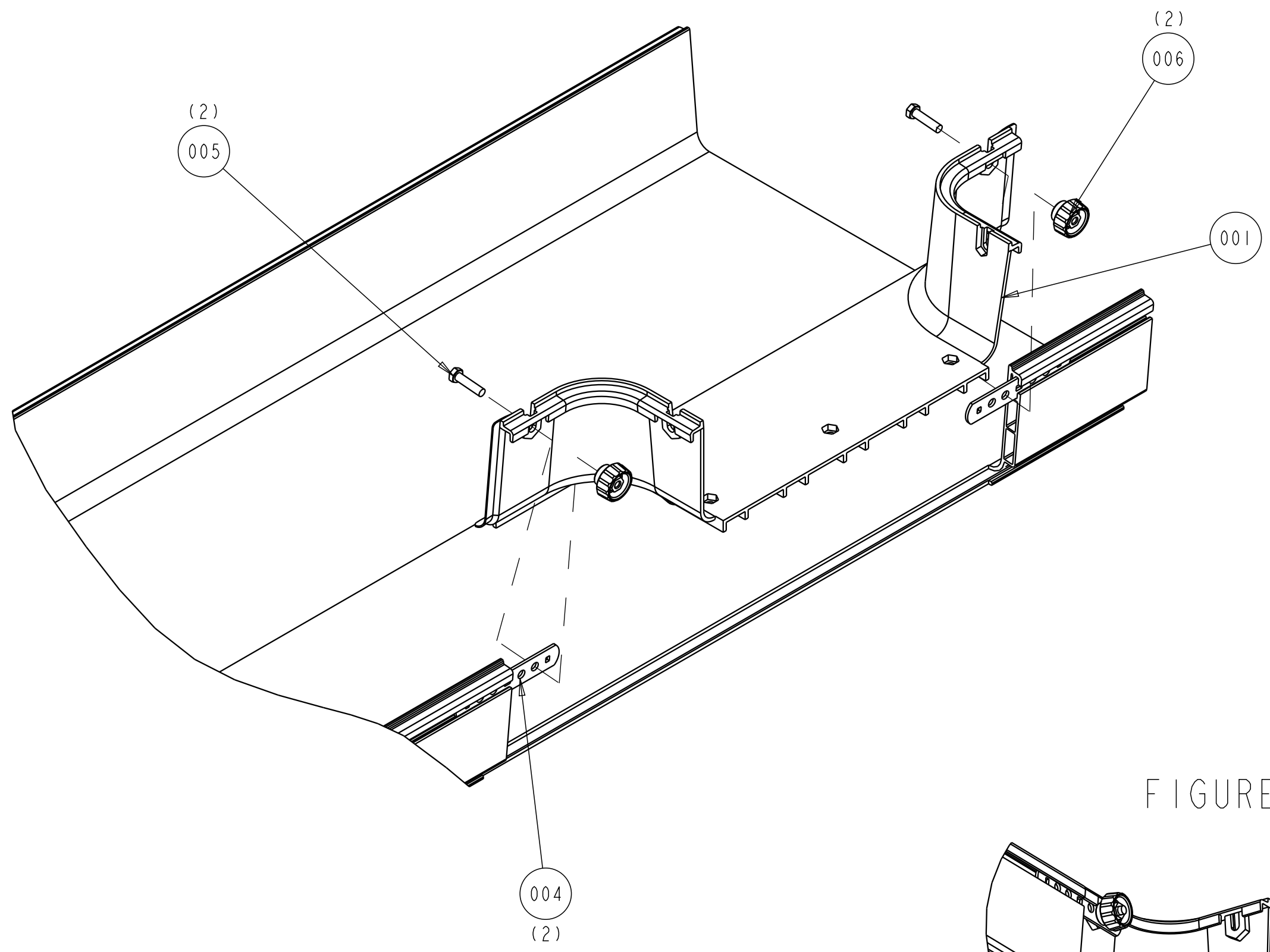


FIGURE 4

COMPLETED INSTALLATION

COMMSCOPE, INC.

<small>© 2016 COMMSCOPE, INC. CONFIDENTIAL          NOTICE: THESE DRAWINGS AND SPECIFICATIONS ARE THE PROPRIETARY PROPERTY OF COMMSCOPE, INC. AND MAY BE USED ONLY FOR THE SPECIFIC PURPOSE AUTHORIZED IN WRITING BY COMMSCOPE, INC.</small>		TITLE FGS 24" ADAPTERS HORZ CUT-IN 4X4, 4X6, 4X12 INSTALLATION DRAWING		
<small>ALL DIMS AND TOLERANCES .XX:±N/A          ARE INCHES UNLESS .XXX:±N/A          OTHERWISE SPECIFIED ANGULAR:±N/A</small>		C SIZE	DRAWING NUMBER 300100103922	C REV
DO NOT SCALE DRAWING		ENGR: RUBEN ARVILLA DWN: OMAR A. VALDEZ		SHT. 5 OF 5

DIMENSIONS IN INCHES  
 THIRD ANGLE PROJECTION