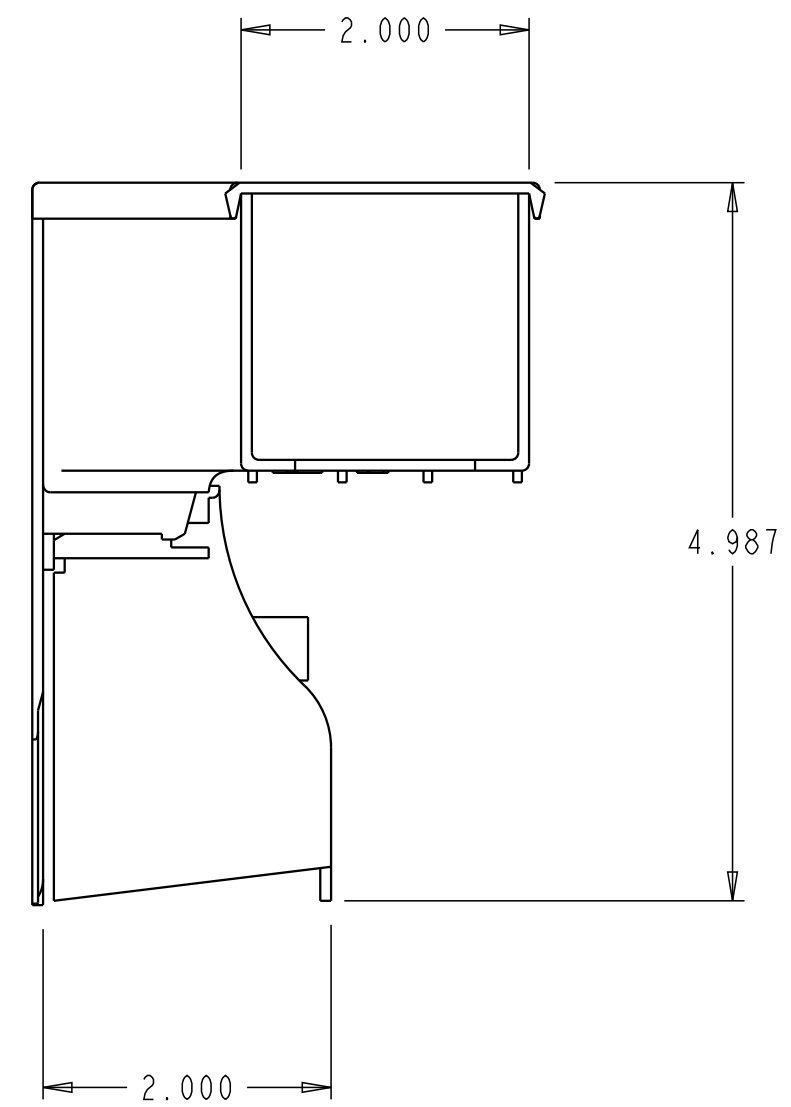
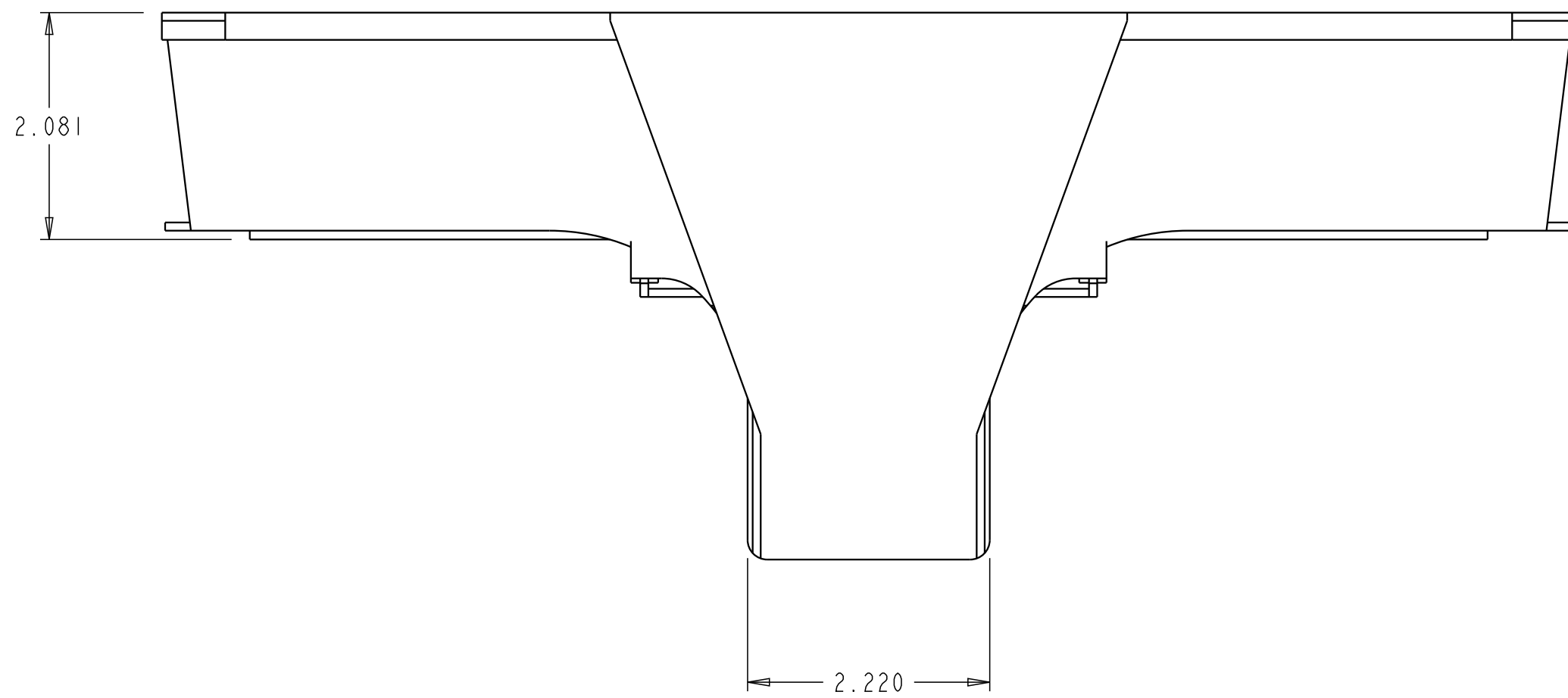
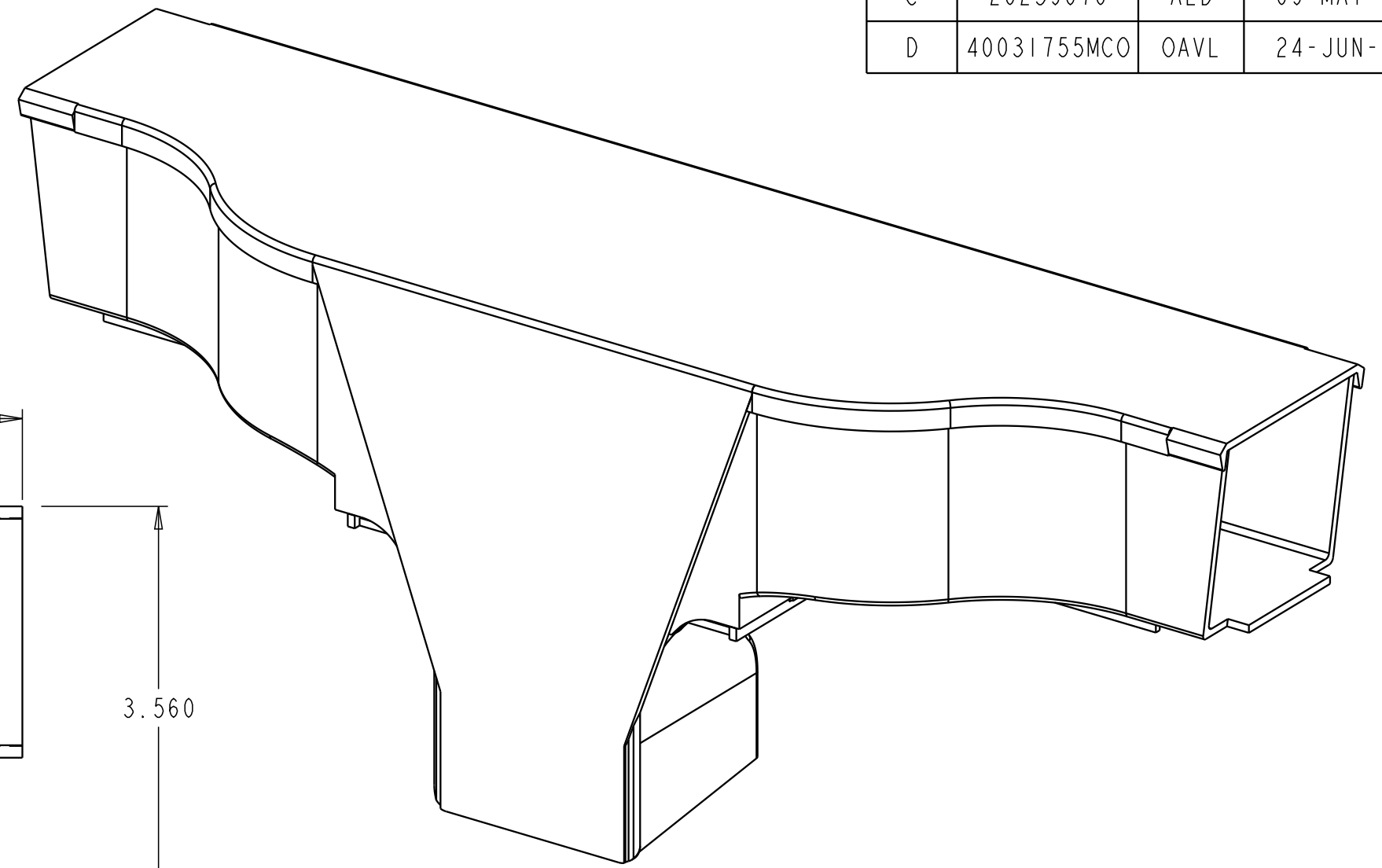
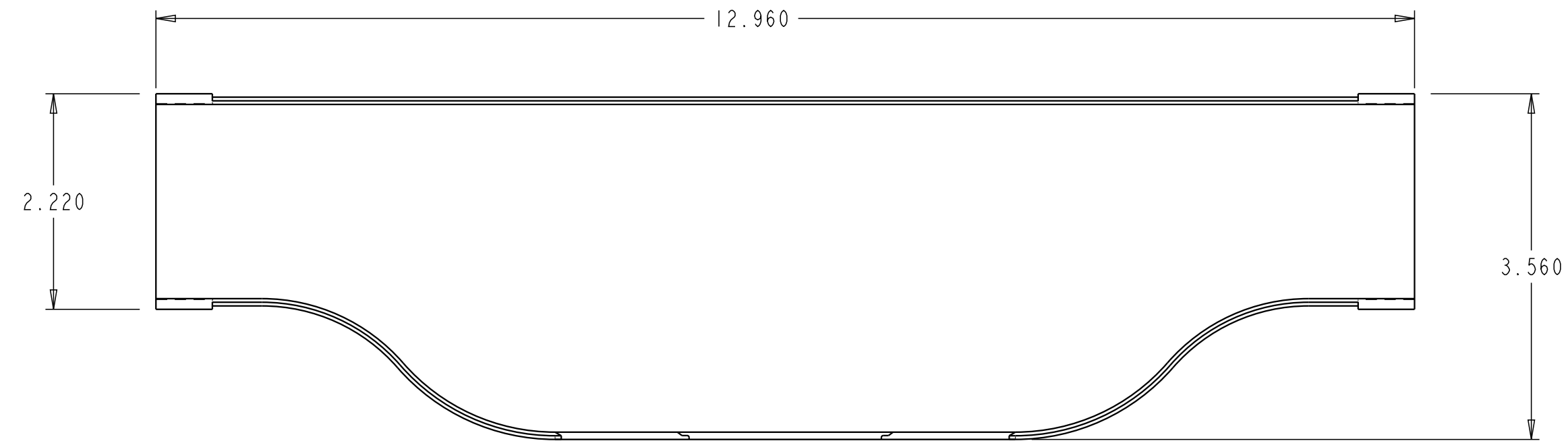


REV.	MCO	DWN	DATE
C	20239670	AED	09-MAY-08
D	40031755MCO	OAVL	24-JUN-16



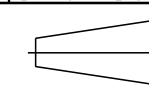
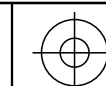
NOTES:

1. ALL COMPONENTS OF THIS ASSEMBLY ARE EXTINGUISHING WITH A UL 94 RATING OF V-0.

COMMSCOPE, INC.

FGSB-MSDS-C	BLACK
FGS-MSDS-C	YELLOW
CATALOG NUMBER	COLOR

© 2016 COMMSCOPE, INC. CONFIDENTIAL NOTICE: THESE DRAWINGS AND SPECIFICATIONS ARE THE PROPRIETARY PROPERTY OF COMMSCOPE, INC. AND MAY BE USED ONLY FOR THE SPECIFIC PURPOSE AUTHORIZED IN WRITING BY COMMSCOPE, INC.		TITLE FIBERGUIDES 2" DOWNSPOUT INST. DWG.	
ALL DIMS AND TOLERANCES ARE INCHES UNLESS OTHERWISE SPECIFIED	.XX:±REF .XXX:±REF ANGULAR:±REF	C SIZE DRAWING NUMBER 4-29000-2296	D REV
DO NOT SCALE DRAWING	ENGR: R. HENNEBERGER DWN: D. CARPENTER	SHT. 1 OF 1	



**DIMENSIONS IN INCHES
THIRD ANGLE PROJECTION**