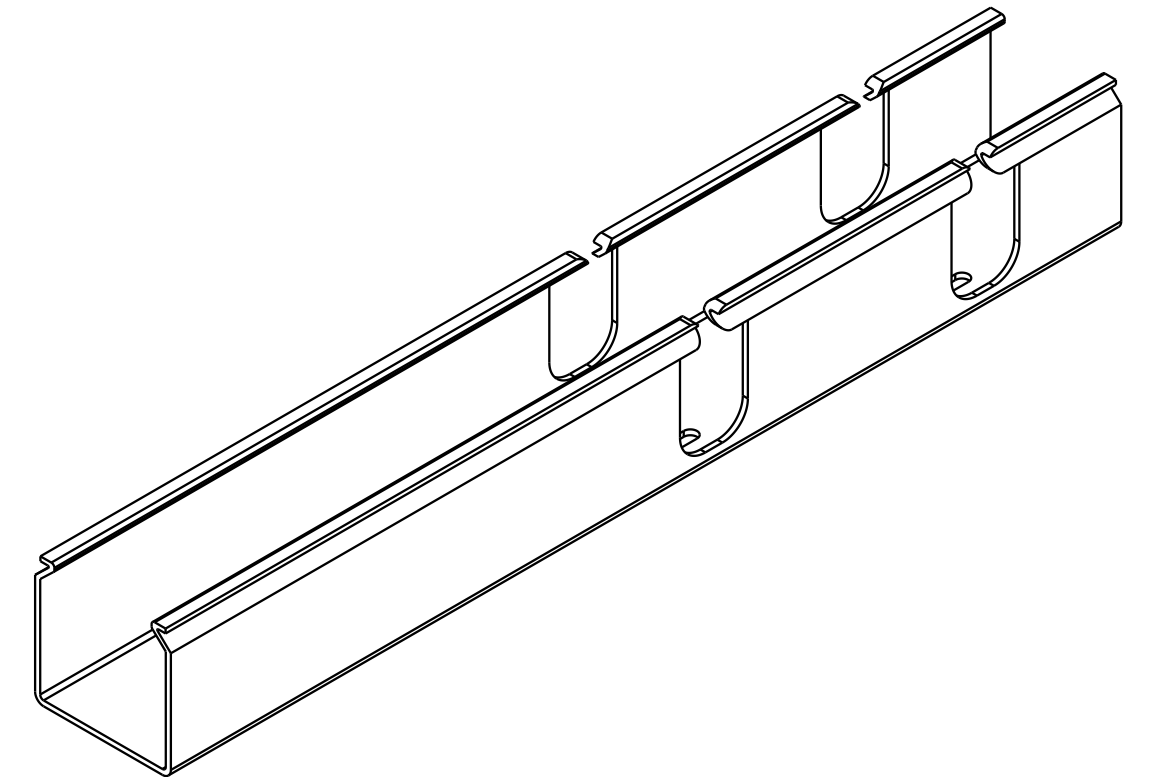
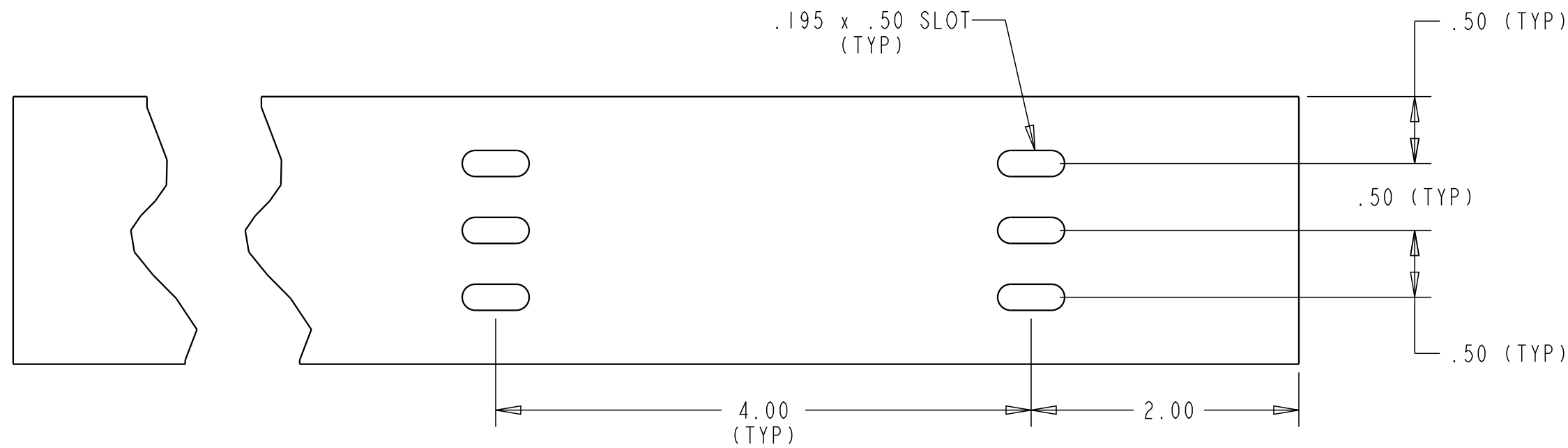
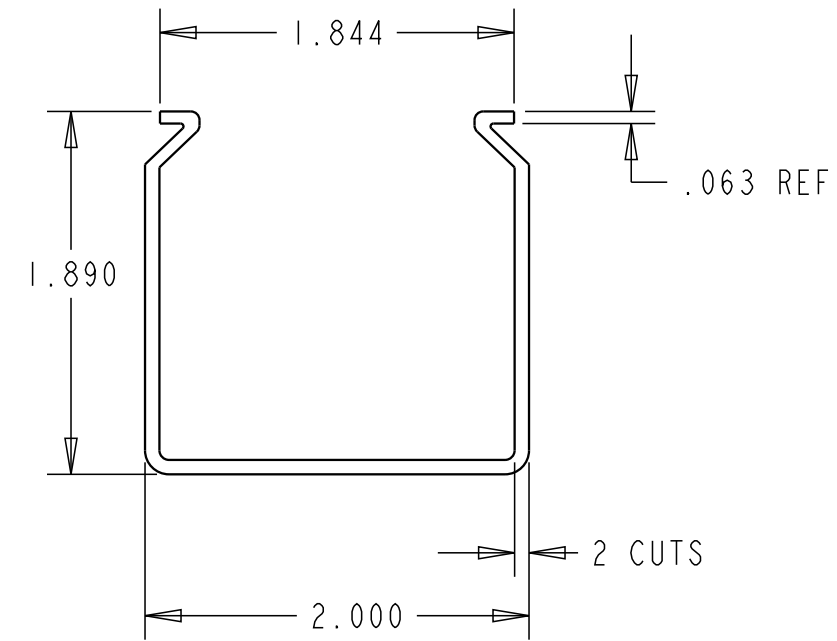
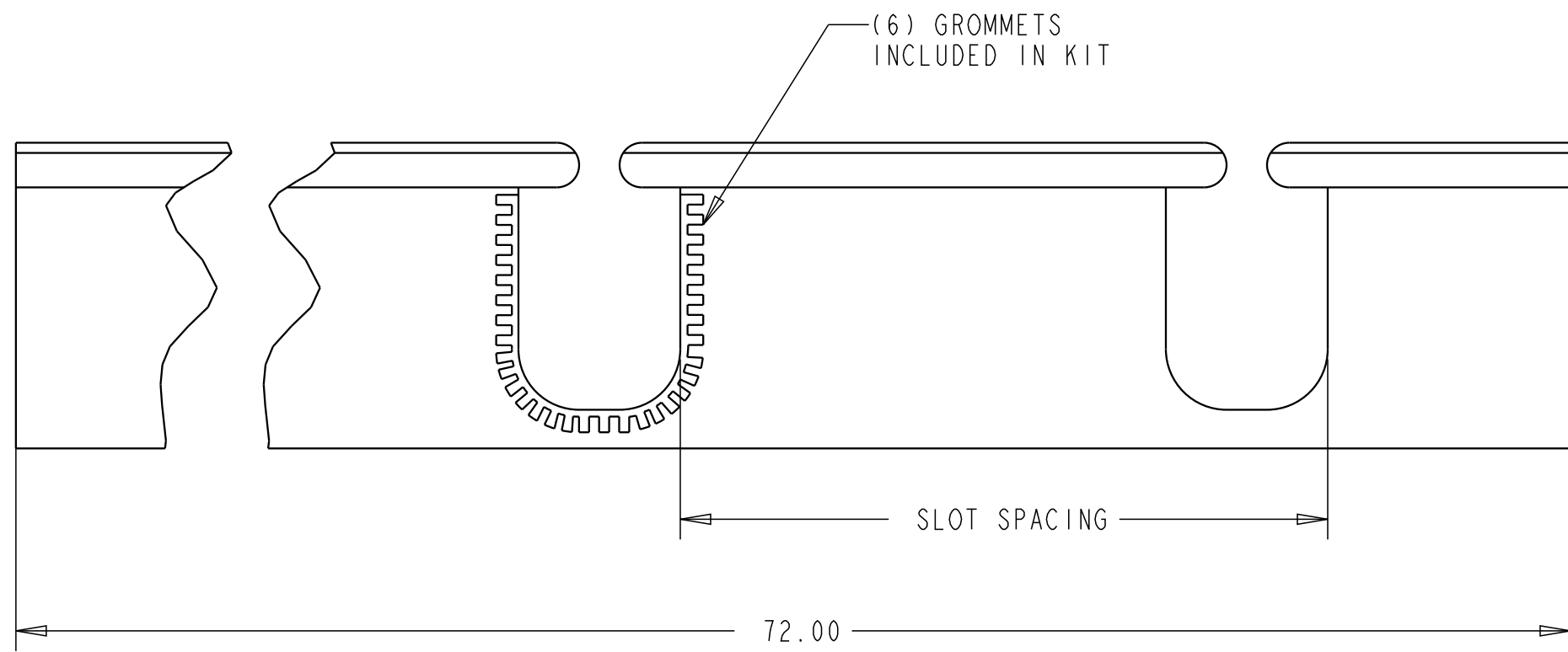


REV.	MCO	DWN	DATE
D	20282366	RRM	16-FEB-10
E	40032067MCO	OAVL	08-JUL-16



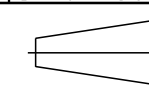
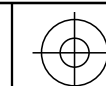
**NOTES:**

- MATERIAL IS SELF EXTINGUISHING WITH A UL-94 RATING OF V-0.

FGSB-MSHS-C	BLACK	4.0"
FGS-MSHS-CA	YELLOW	1.5"
FGS-MSHS-C	YELLOW	4.0"
CATALOG NUMBER	COLOR	SLOT SPACING

© 2016 COMMSCOPE, INC. CONFIDENTIAL NOTICE: THESE DRAWINGS AND SPECIFICATIONS ARE THE PROPRIETARY PROPERTY OF COMMSCOPE, INC. AND MAY BE USED ONLY FOR THE SPECIFIC PURPOSE AUTHORIZED IN WRITING BY COMMSCOPE, INC.		TITLE FIBERGUIDE 2X2 VERT EXTRUSION, INSTL DWG	
ALL DIMS AND TOLERANCES ARE INCHES UNLESS OTHERWISE SPECIFIED	.XX:±N/A .XXX:±N/A ANGULAR:±N/A	C SIZE DRAWING NUMBER 4-29000-2588	E REV
DO NOT SCALE DRAWING	ENGR: S. ZIMMEL DWN: J. MARQUEZ	SHT. 1 OF 1	

COMMSCOPE, INC.



**DIMENSIONS IN INCHES  
THIRD ANGLE PROJECTION**