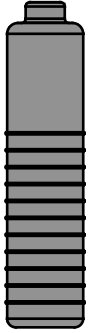


## Weatherproofing Boot For 1/4" SureFlex® Jumpers

For Nex10 Male Connectors to Female Antenna or Device Ports

Bulletin 7831880 Revision A Page 1 of 1

CommScope Infrastructure Academy offers installation training.

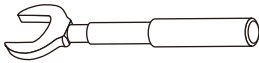


P/N: WPB-F1XM-HS

CABLE SIZE	CABLE TYPE	INTERFACE TYPE	DEVICE PORT DIAMETER
1/4 in	FSJ1	Nex10	8.80 mm (0.3465 in)

TOOL PART NUMBER	DESCRIPTION
TW-N10	Torque wrench for Nex10 connector

### Tools



Torque Wrench  
P/N: TW-N10

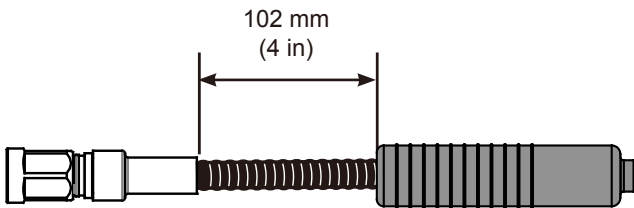


Open End Wrench

### Installation temperature range

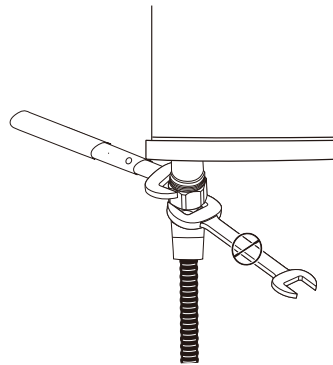
-40 °C to +65 °C  
(-40 °F to +149 °F)

- Route and form the jumper assembly with HELIAX® SureGuard weatherproofing system installed prior to attaching the coupling nuts. Make sure that the boot is approximately 102 mm (4 in) below the bottom of the molded portion of the jumper.



- Torque the connection using the appropriate wrenches or tool.

Nex10 male connector: 1.5-5 N•m (1.1-3.7 ft-lb)

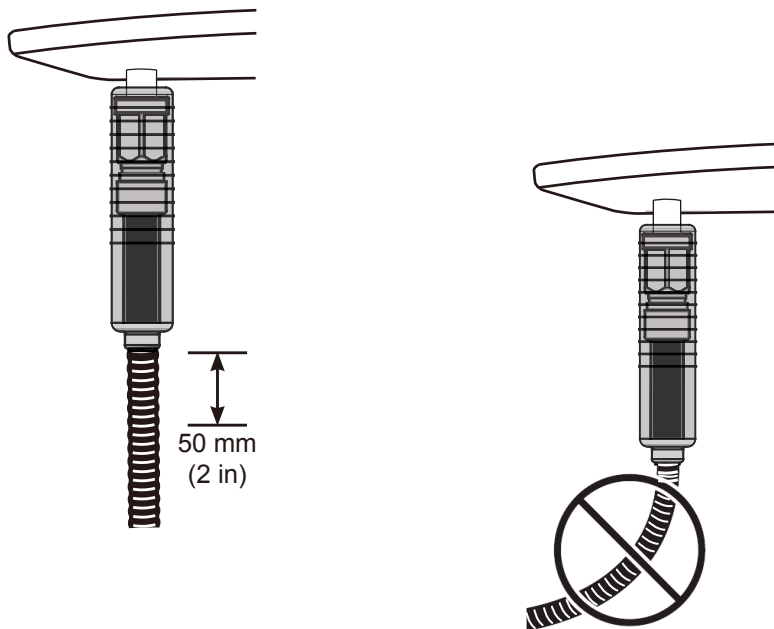


- Push the boot over the male coupling nut, Boot MUST assemble properly like below .



Weatherproofing Boot For 1/4" Spiral SureFlex® Jumper  
For Nex10 Male Connectors to Female Antenna or Device Ports

- 5** Do not hold the connector and bend the cable directly behind it, rather hold the cable 50 mm (2 in) adjacent to the connector to keep stress from the cable / connector junction.



Do not allow sharp objects to come in contact with the boot. They can cause damage that would impact the boots performance.



Be careful during final routing to avoid placing unwanted stress on the assembly

**CommScope**

1100 CommScope Place SE P.O. Box 339, Hickory, NC 28603-0339  
(828) 324-2200 (800) 982-1708  
www.commscope.com

**Customer Service 24 hours**

North America: +1-800-255-1479 (toll free)  
Any country: +1-779-435-6500  
email: acicustomersupportcenter@commscope.com

Notice: CommScope disclaims any liability or responsibility for the results of improper or unsafe installation, inspection, maintenance, or removal practices.  
Aviso: CommScope no acepta ninguna obligación ni responsabilidad como resultado de prácticas incorrectas o peligrosas de instalación, inspección, mantenimiento o retiro.  
Avis: CommScope décline toute responsabilité pour les conséquences de procédures d'installation, d'inspection, d'entretien ou de retrait incorrectes ou dangereuses.  
Hinweis: CommScope lehnt jede Haftung oder Verantwortung für Schäden ab, die aufgrund unsachgemäßer Installation, Überprüfung, Wartung oder Demontage auftreten.  
Atenção: A CommScope abdica do direito de toda responsabilidade pelos resultados de práticas inadequadas e sem segurança de instalação, inspeção, manutenção ou remoção.  
Avvertenza: CommScope declina eventuali responsabilità derivanti dall'esecuzione di procedure di installazione, ispezione, manutenzione e smontaggio improprie o poco sicure.  
注意: CommScope 公司申明對於不恰當或不安全的安裝、檢驗、維修或拆卸操作所導致的後果不負責任 何義務和責任