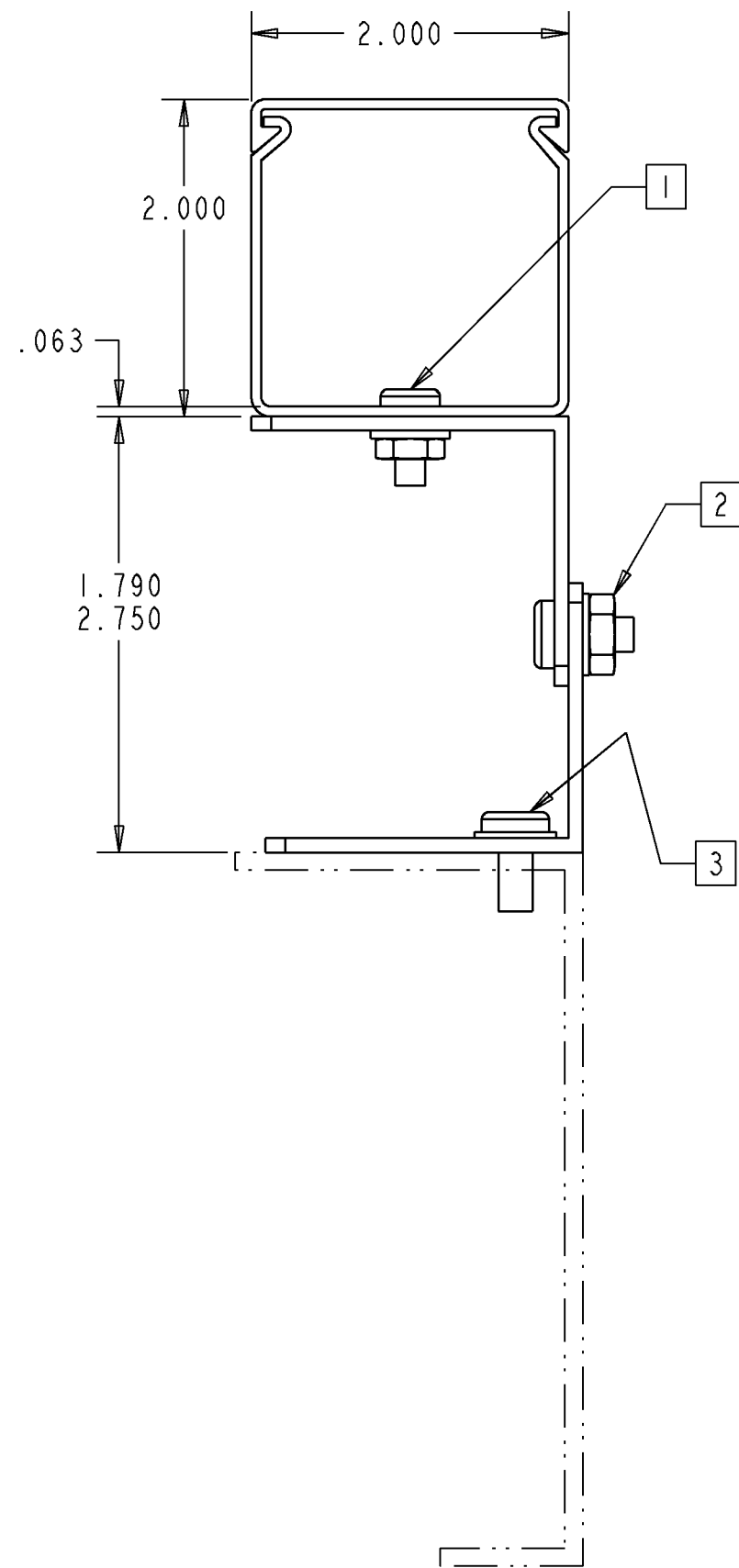


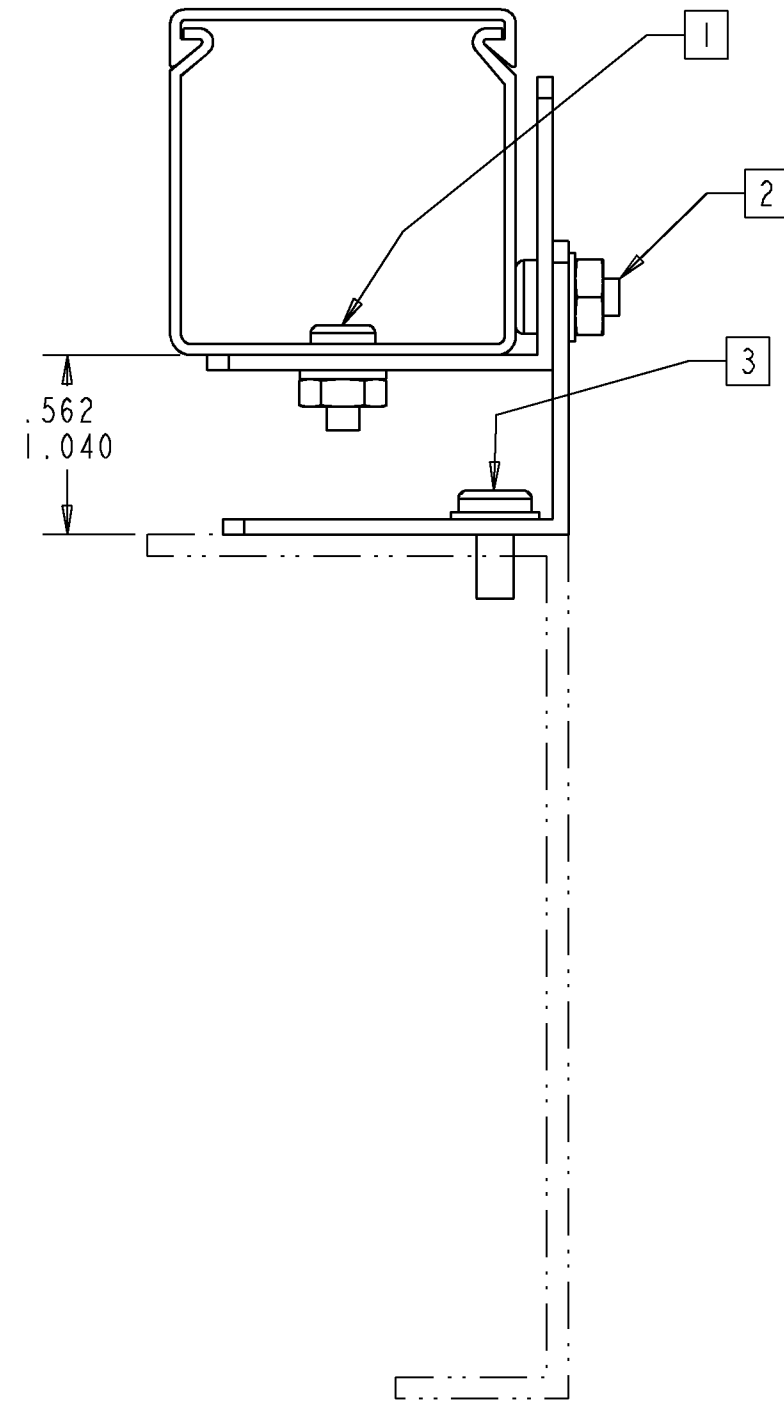
REV	MCO	DWN	DATE
K	20154048	DAT	23-JUL-04
L	20236325	RCR	26-MAR-08

KEY

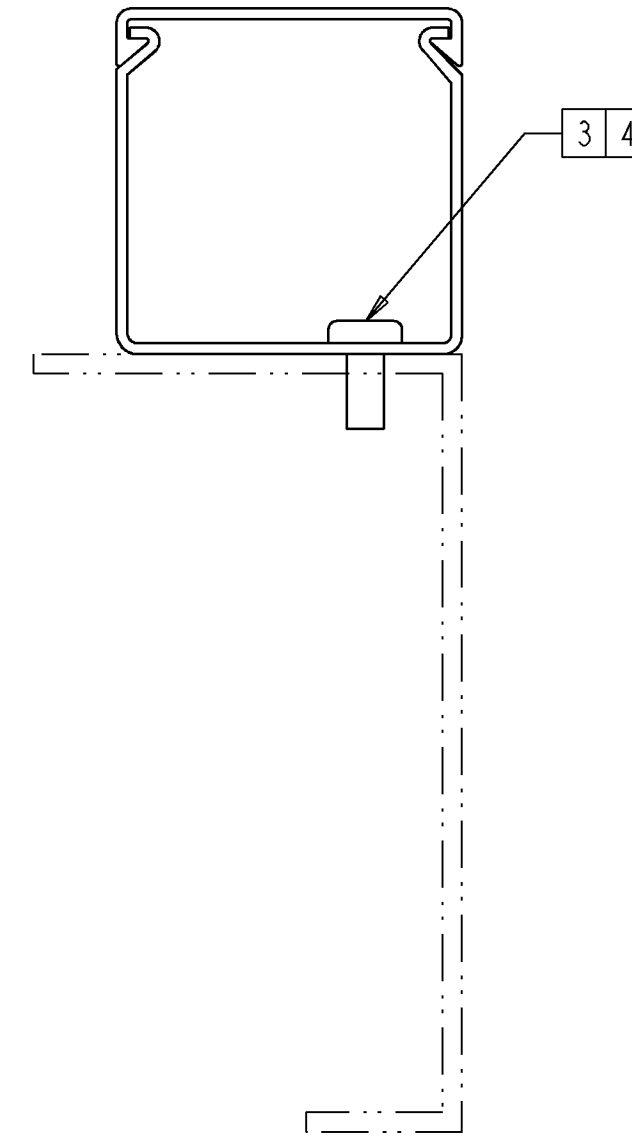
- COMPONENTS INCLUDED IN KIT  
 - - - - - COMPONENTS NOT INCLUDED IN KIT



BRACKET  
ARRANGEMENT "A"



BRACKET  
ARRANGEMENT "B"



ARRANGEMENT "C"

KIT INCLUDES THE FOLLOWING:

QTY	PART DESCRIPTION
1	2" x 2" VERTICAL DUCT
1	DUCT COVER
16	GROMMET STRIPS
10	DUCT MOUNTING BRACKETS
10	#12 x 1/2 SCREWS
10	#12 FLATWASHERS
5	#12 HEX NUTS
5	#10 x 3/8 SCREWS
5	#10 FLAT WASHERS
5	#10 HEX NUTS
1	HOSE END CLAMP
2	#6 x 3/8 PAN HEAD SCREWS
2	#6 STAR-LOCK WASHERS
2	#6 HEX NUTS
5	1 COVER RETAINER
1	COVER RETAINER INSTALLATION DRAWING
1	VERTICAL FIBERGUIDE INSTALLATION DRAWING

NOTES:

- 1 #10 SCREW, NUT, AND WASHER.
- 2 #12 SCREW, NUT, AND WASHER.
- 3 #12 SCREW AND WASHER.
- 4. SEE COVER RETAINER KIT INSTALLATION DRAWING FOR RETAINER AND GROMMET USE.
- 5 DIFFERENT QUANTITY OF (6) COVER RETAINERS IN NOTED KIT ONLY.

FGSB-KTWI-CA	BLACK
FGSG-KTWI-CA	GRAY
FGS-KTW1-CA-RC	YELLOW
FGSO-KTWI-CA	ORANGE
FGS-KTWI-CA	YELLOW
FGSO-KTWI-C	ORANGE
FGS-KTWI-C	YELLOW
ADC CATALOG NUMBER	COLOR



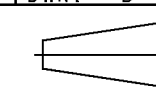
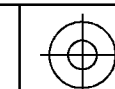
INFORMATION ON THIS DOCUMENT IS PROPRIETARY TO ADC AND SHALL NOT BE USED, COPIED, REPRODUCED OR DISCLOSED IN WHOLE OR IN PART WITHOUT WRITTEN CONSENT OF ADC.

ALL DIMS AND TOLERANCES ARE INCHES UNLESS OTHERWISE SPECIFIED

.XX:±N/A  
.XXX:±N/A  
ANGULAR:±N/A

TITLE FIBERGUIDE, VERT  
2"x2", INSTL DWG

DO NOT SCALE DRAWING	ENGR: S ZIMMEL DWN: D LOCH	C SIZE DRAWING NUMBER 4-29000-2611	L REV
		SHT. 1 OF 1	



DIMENSIONS IN INCHES  
THIRD ANGLE PROJECTION