

## WSC Wall Splice Cabinet

CommScope's Wall Splice Cabinets (WSC) provide a versatile splicing solution when deploying Fiber-to-the-Premises architectures. The cabinets are available in indoor and indoor/outdoor configurations making them suitable for splicing requirements anywhere in the network. The WSC also offers slack storage and is easily accessible with its wallmount design.

### WSC-24 Features

- Rated for indoor use • Accommodates up to (2) 12-fiber splice trays
- Built-in slack storage around splice trays
- Flexible cable entry location with its 4 cable entry port design
- Top and bottom cable entry ports allow for pass through splicing capability
- Standard 216 tool access
- Padlock and/or key lock security option

### WSC-48 Features

- Rated for indoor and outdoor use
- Accommodates up to (4) 12-fiber splice trays
- Built-in slack storage around splice trays
- Standard 216 tool access
- Padlock security
- One part number can accommodate indoor or outdoor demand

## Product Classification

<b>Regional Availability</b>	North America
<b>Portfolio</b>	CommScope®
<b>Product Type</b>	Fiber wall box
<b>Product Series</b>	WSC

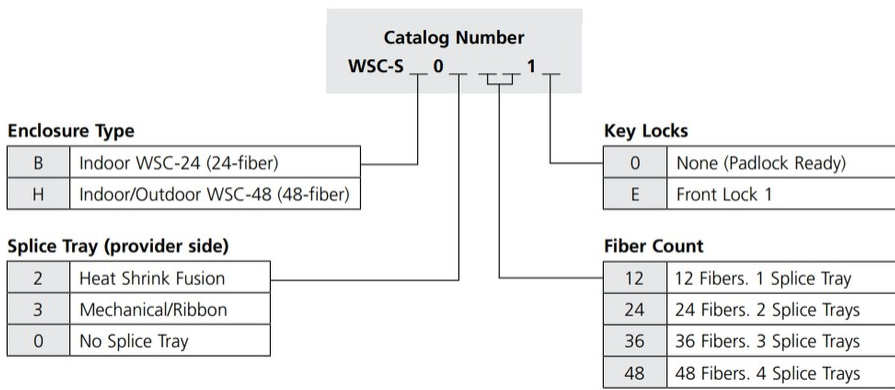
## General Specifications

<b>Functionality</b>	Splicing
<b>Access</b>	Front
<b>Door, quantity</b>	1

# WSC

<b>Enclosure Color</b>	Putty white
<b>Front Door Type</b>	Single hinged
<b>Interface</b>	Splicing only
<b>Lock Type</b>	Locking bolt
<b>Mounting</b>	Wall
<b>Splice Trays</b>	Included
<b>Splicing Type</b>	Heat shrink

## Ordering Tree



## Environmental Specifications

<b>Environmental Space</b>	Outdoor
<b>Qualification Standards</b>	NEMA, Type 4

## Packaging and Weights

<b>Packaging quantity</b>	1
<b>Packaging Type</b>	Box   Carton