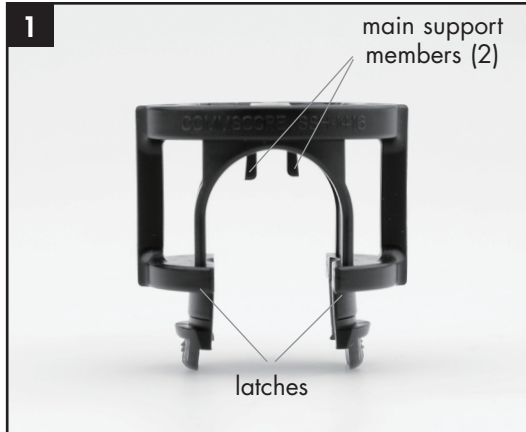


## SSH-1416

### CommScope® SnapTak Adjustable Cable Hanger

Bulletin 7823346 Rev. B | Page 1 of 1

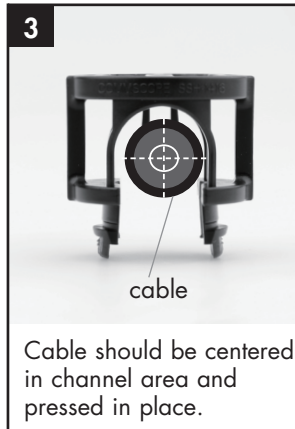
*CommScope Infrastructure Academy offers installation training.*



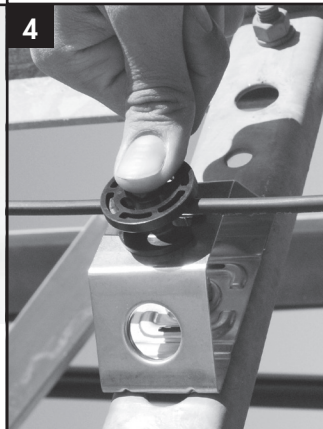
The SnapTak hanger has two main support members to engage the cable and six guide pins to help center the cable.



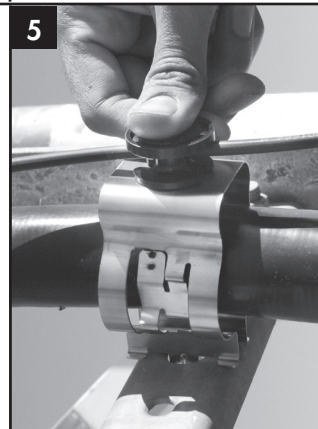
Press hanger onto cable until cable centers in channel.



Cable should be centered in channel area and pressed in place.



Push SnapTak hanger in tower member or mounting adapter with 3/4" hole. Snap the latches in place.



Polymer SnapTak hangers may be snapped into any other CommScope metal or polymer SnapTak hanger size.

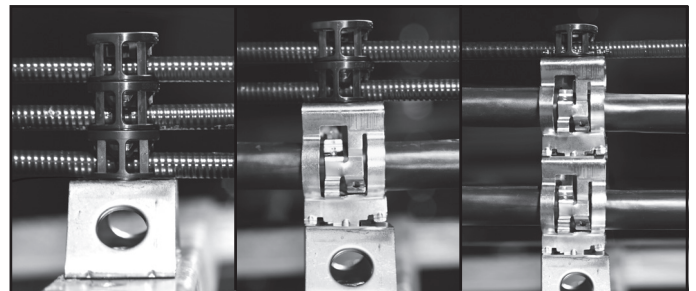
#### Note:

Visit [www.commscope.com](http://www.commscope.com) or click QR codes above for hanger selection and hanger spacing resources. Hanger selection calculator: <https://www.commscope.com/SnapStak/>

Hanger specification and hanger spacing guide: <https://www.commscope.com/Product-Catalog/Tools-and-Accessories/Product/Coaxial-Tools,Consumables-and-Accessories/>

#### Part Information for Available Hangers

Part Number	Stackability	Cable Diameter Range (mm)
SSH-47	3	4.00 min to 7.00 max
SSH-710	3	7.10 min to 10.00 max
SSH-1014	3	10.10 min to 14.00 max
SSH-1416	3	14.10 min to 16.00 max



Acceptable stack combinations

#### CommScope

1100 CommScope Place SE P.O. Box 339, Hickory, NC 28603-0339  
(828) 324-2200 (800) 982-1708  
[www.commscope.com](http://www.commscope.com)

#### Customer Service 24 hours

North America: +1-800-255-1479 (toll free)  
Any country: +1-779-435-6500  
email: [acicustomersupportcenter@commscope.com](mailto:acicustomersupportcenter@commscope.com)

Notice: CommScope disclaims any liability or responsibility for the results of improper or unsafe installation, inspection, maintenance, or removal practices.

Aviso: CommScope no acepta ninguna obligación ni responsabilidad como resultado de prácticas incorrectas o peligrosas de instalación, inspección, mantenimiento o retiro.

Avis: CommScope décline toute responsabilité pour les conséquences de procédures d'installation, d'inspection, d'entretien ou de retrait incorrectes ou dangereuses.

Hinweis: CommScope lehnt jede Haftung oder Verantwortung für Schäden ab, die aufgrund unsachgemäßer Installation, Überprüfung, Wartung oder Demontage auftreten.

Atenção: A CommScope abdica do direito de toda responsabilidade pelos resultados de práticas inadequadas e sem segurança de instalação, inspeção, manutenção ou remoção.

Avvertenza: CommScope declina eventuali responsabilità derivanti dall'esecuzione di procedure di installazione, ispezione, manutenzione e smontaggio improprie o poco sicure.

注意: CommScope 公司申明對於不恰當或不安全的安裝、檢驗、維修或拆卸操作所導致的後果不負責任 何義務和責任

