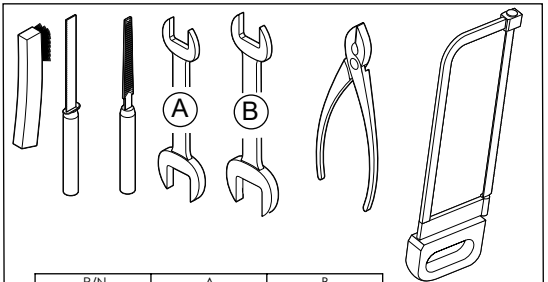
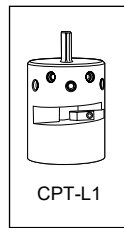
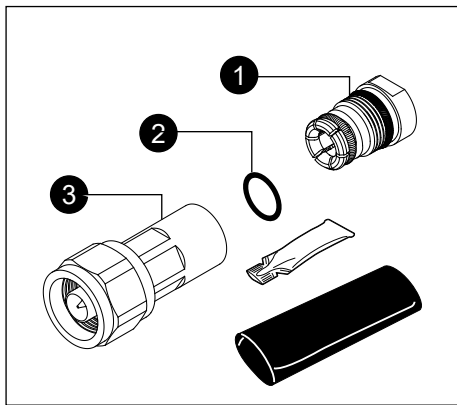
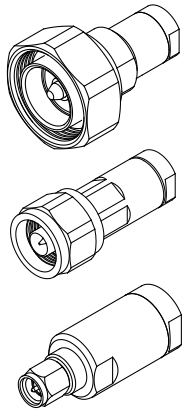


Positive Lock Connectors (L1*-PL)

for HELIAX® LDF1-50 Coaxial Cable

CommScope Infrastructure Academy offers installation training.



P/N	A	B
LITNM-PL	15 MM	14 MM
LITNF-PL	13 MM	14 MM
LITDM-PL	16 MM	14 MM
LITDF-PL	20 MM	14 MM
LITSM-PL	15 MM	14 MM
LITNR-PL	14 MM	14 MM
LITNM-PL-G	15 MM	14 MM

1

1" 25 mm

Straighten cable. Remove jacket.
将电缆拉直，剥下护皮

2

(3/4") (19 mm)

1 2 3 4 5

Cut cable at top of corrugation, remove outer conductor, foam, and adhesive.
切除电缆波纹状外导管顶部，除去外导管、泡沫、和粘合剂。

3

Add O-ring, grease, clamp.
加O型圈，油脂，锁紧螺母。

2

1

1 2 3 4 5

It is not allowed to pull back, the cable must be pulled out, checked O-ring is in the designated cable groove and reinstall it.
不允许向后拉，必须拉出电缆，检查O型圈是否在指定的电缆槽内，然后重新安装。

4

9/32" 6-7 mm

1/32" 1 mm

Taper inner conductor.
锥削内心导体

1

Straighten cable. Cut square.
将电缆拉直，垂直锯入

2

Apply pressure until tool clicks.
施加压力直到工具发出啞声

3

Top of corrugation

1 2 3 4 5

Check the cut plane to ensure at the top of corrugation. If it's not at the top of corrugation, then needs to manually cut 1-2mm of inner conductor and use the tool re-trim cable as above shown.
检查切面确保在电缆波纹状外导管顶部，如果不在顶部，需手工切除内导体1-2mm，用电动工具重新剥线至上图所示。

4

9/32" 6-7 mm

2

1

1 2 3 4 5

Add O-ring, grease, clamp.
加O型圈，油脂，锁紧螺母。

5

Deburr, include inside edge, outer conductor.
去毛刺，包含内缘和外导体。

6

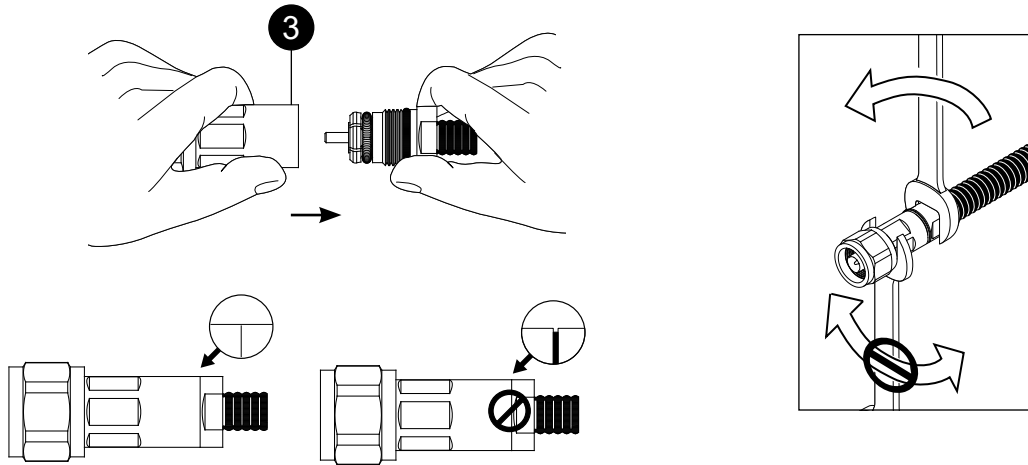
Remove debris.
去除残渣

7

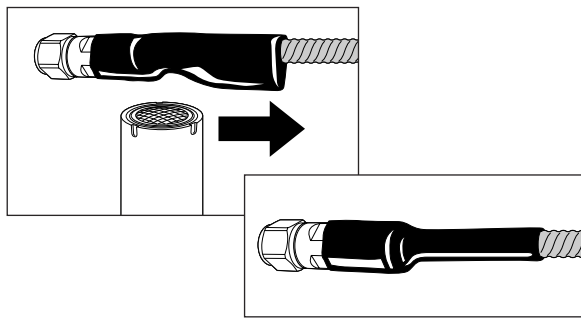
1/16" 1.5 mm

Compress foam.
压紧泡沫塑料。

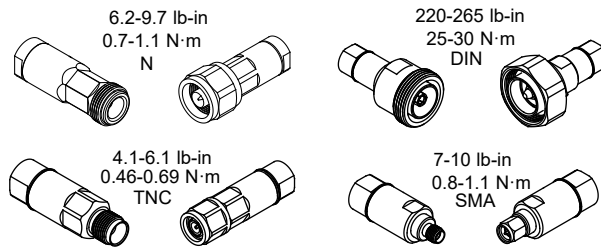
8



9 Apply heat shrink tube.
加热缩紧套管。



Coupling Torque.
配合扭矩。



Torque Table			
Interface	Wrench Opening	Torque	Commscope Wrench P/N
7/16 DIN	32 mm (1 1/4")	25 Nm (19 ft-lb)	244377
N	18 mm	2 Nm (20 in-lb)	TW-18N
	13/16 in		244379

部件名称 (Part Name)	表一 有毒有害物质或元素名称及含量标识格式					
	有毒有害物质或元素					
	铅 (Pb)	汞 (Hg)	镉 (Cd)	六价铬 (Cr6+)	多溴联苯 (PBB)	多溴二苯醚 (PBDE)
连接器 (Connector)	X	O	O	O	O	O

O: 表示有毒有害物质在该部件所有的均质材料中的含量均在SJ/T 11363-2006规定的限量要求以下。
X: 表示该有毒有害物质至少在该部件的某一均质材料中的含量超出SJ/T 11363-2006规定的限量要求。

CommScope
3642 E US Highway 70, Claremont, NC 28610 USA
(828) 324-2200 (800) 982-1708
www.commscope.com

Customer Service 24 hours
North America: +1-800-255-1479 (toll free)
Any country: +1-779-435-6500
email: acicustomersupportcenter@commscope.com

Notice: CommScope disclaims any liability or responsibility for the results of improper or unsafe installation, inspection, maintenance, or removal practices.
Aviso: CommScope no acepta ninguna obligación ni responsabilidad como resultado de prácticas incorrectas o peligrosas de instalación, inspección, mantenimiento o retiro.
Avis: CommScope décline toute responsabilité pour les conséquences de procédures d'installation, d'inspection, d'entretien ou de retrait incorrectes ou dangereuses.
Hinweis: CommScope lehnt jede Haftung oder Verantwortung für Schäden ab, die aufgrund unsachgemäßer Installation, Überprüfung, Wartung oder Demontage auftreten.
Atenção: A CommScope abdica do direito de toda responsabilidade pelos resultados de práticas inadequadas e sem segurança de instalação, inspeção, manutenção ou remoção.
Avvertenza: CommScope declina eventuali responsabilità derivanti dall'esecuzione di procedure di installazione, ispezione, manutenzione e smontaggio improprie o poco sicure.
注意: CommScope 公司申明對於不恰當或不安全的安裝、檢驗、維修或拆卸操作所導致的後果不負任何義務和責任

