

TP-G238-72



Universal Tripod Mount, 2-3/8 in OD x 72 in pipe

Product Classification

Product Type Tripod mount

General Specifications

Mounting Surfaces

Note One 6 ft microwave antenna using 4-1/2 in pipe mast

Pipe, quantity 1

Dimensions

Height 1,828.8 mm | 72 in

Width 1524 mm | 60 in

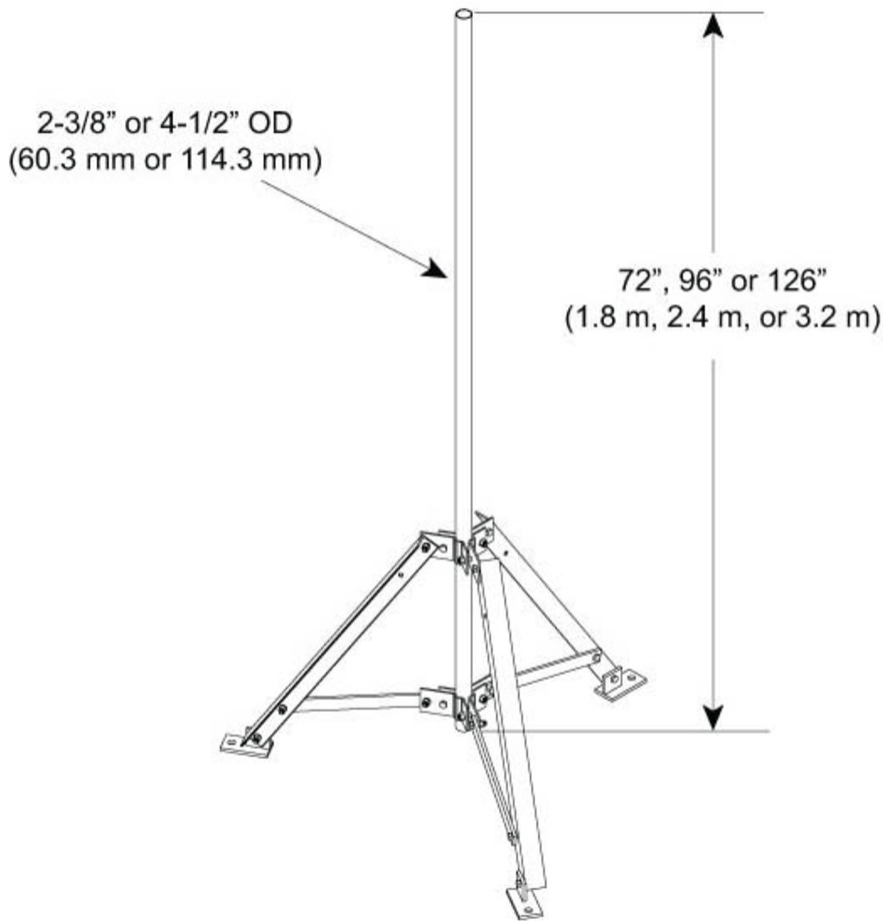
Length 1.524 m | 5 ft

Pipe Length 1,828.8 mm | 72 in

Pipe Outer Diameter 60.96 mm | 2.4 in

TP-G238-72

Outline Drawing



Material Specifications

Material Type Hot dip galvanized steel

Mechanical Specifications

Wind Rating 85 mph (BWS) at 100 ft AGL using Exposure C per UBC

Wind Rating Test Method TIA/EIA-222

Packaging and Weights

Included Mount, with or without pipe

Packaging quantity 1

TP-G238-72

Weight, net 61.6 kg | 135.805 lb

Regulatory Compliance/Certifications

| Agency | Classification |
|---------------|--|
| ISO 9001:2015 | Designed, manufactured and/or distributed under this quality management system |

Included Products

- MT-651 – Plain End Pipe, 2-3/8 in OD x 72 in .120" A500C 46Ksi
- TP-G238-B – Universal Tripod Mount, base only, pipe not included

* Footnotes

Wind Rating BWS—Base Wind Speed; FBC—Florida Building Code

MT-651



Plain End Pipe, 2-3/8 in OD x 72 in .120" A500C 46Ksi

Product Classification

Product Type Plain end pipe

General Specifications

Pipe, quantity 1

Dimensions

Height 60.96 mm | 2.4 in
Width 60.96 mm | 2.4 in
Length 1,828.8 mm | 72 in
Pipe Length 1,828.8 mm | 72 in
Pipe Outer Diameter 60.96 mm | 2.4 in
Material Thickness 3.048 mm | 0.12 in

Material Specifications

Material Type A500 | Hot dip galvanized steel
Material Grade C
Material Strength 46 KSI

Packaging and Weights

Included Pipe
Packaging quantity 1
Weight, net 8 kg | 17.637 lb

Regulatory Compliance/Certifications

| Agency | Classification |
|---------------|--|
| CHINA-ROHS | Above maximum concentration value |
| ISO 9001:2015 | Designed, manufactured and/or distributed under this quality management system |

MT-651

ROHS Compliant/Exempted

UK-ROHS Compliant/Exempted



TP-G238-B



Universal Tripod Mount, base only, pipe not included

Product Classification

Product Type Tripod mount

General Specifications

Mounting Surfaces

Note One 6 ft microwave antenna using 4-1/2 in pipe mast

Pipe, quantity 0

Dimensions

Height 838.2 mm | 33 in

Width 1524 mm | 60 in

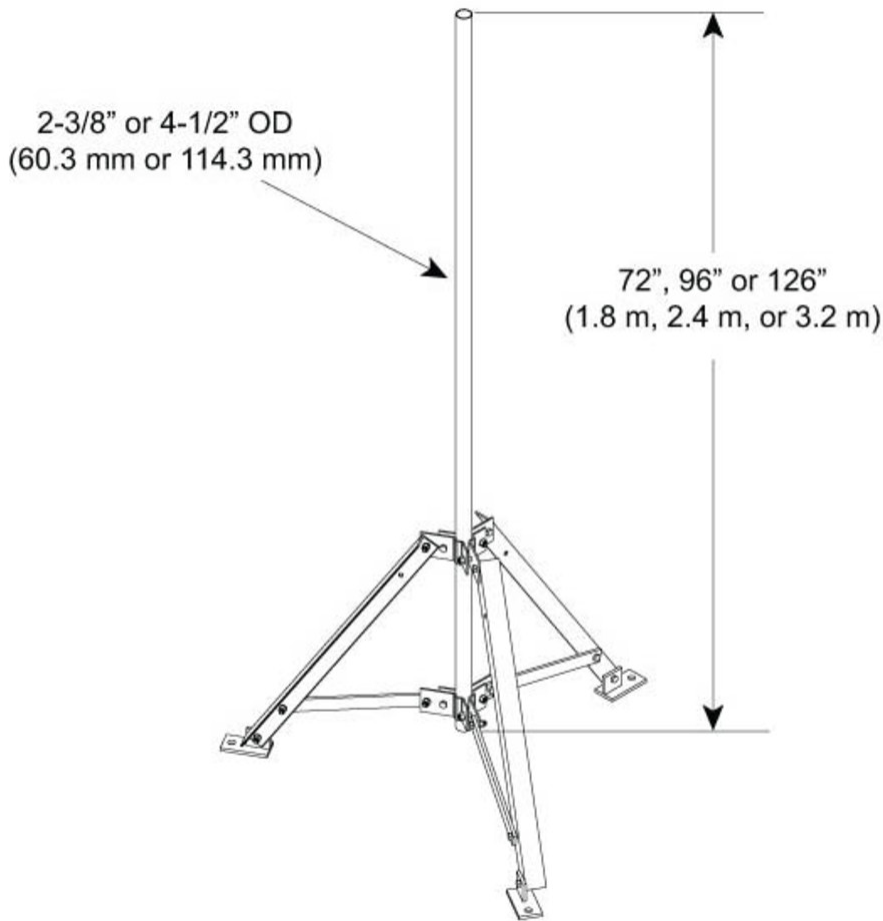
Length 1.524 m | 5 ft

Pipe Length 0 mm | 0 in

Pipe Outer Diameter 60.96 mm | 2.4 in

TP-G238-B

Outline Drawing



Material Specifications

Material Type Hot dip galvanized steel

Mechanical Specifications

Wind Rating 85 mph (BWS) at 100 ft AGL using Exposure C per UBC

Wind Rating Test Method TIA/EIA-222

Packaging and Weights

Included Mount, with or without pipe

Packaging quantity 1

TP-G238-B

Weight, net 51.9 kg | 114.42 lb

Regulatory Compliance/Certifications

| Agency | Classification |
|---------------|--|
| ISO 9001:2015 | Designed, manufactured and/or distributed under this quality management system |

* Footnotes

Wind Rating BWS—Base Wind Speed; FBC—Florida Building Code