

Universal Grounding Kit
for HELIAX® Coax, and FiberFeed™ Installations
Bulletin 237595, Revision B page 1 of 4

POWERED BY



CommScope Infrastructure Academy offers on-line installation training and certifications.

READ ALL WARNINGS AND INSTRUCTIONS BEFORE INSTALLATION



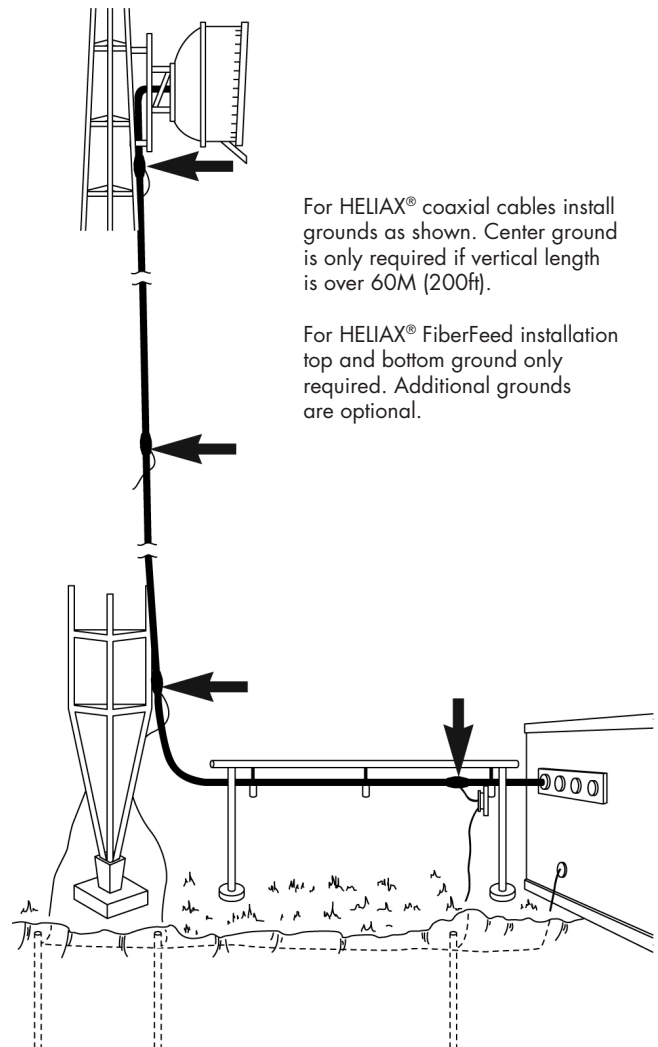
WARNING

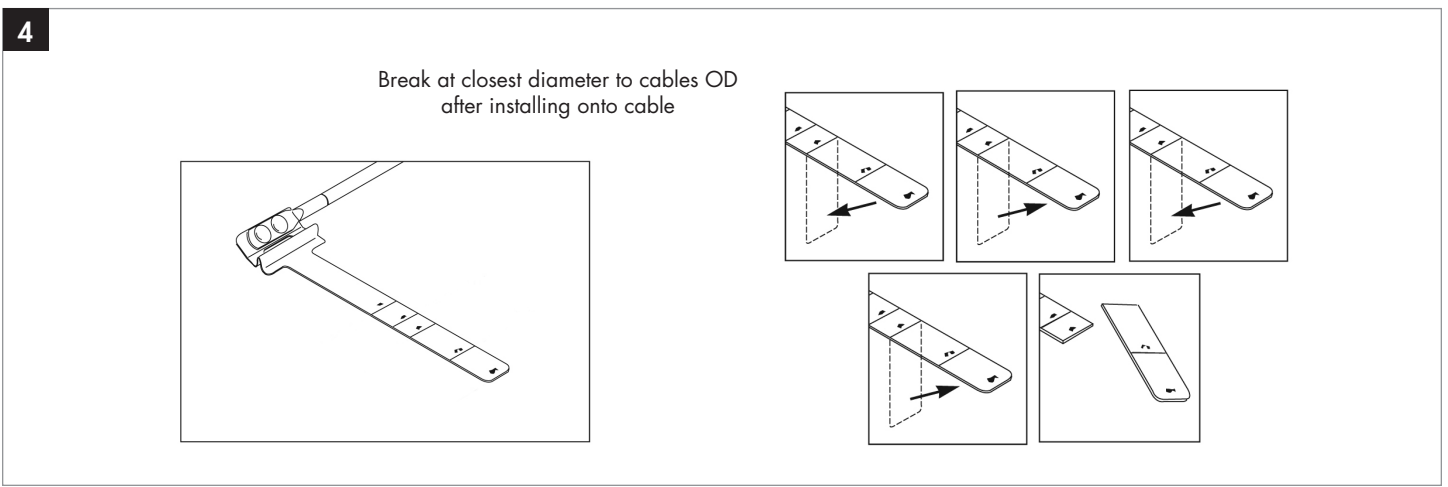
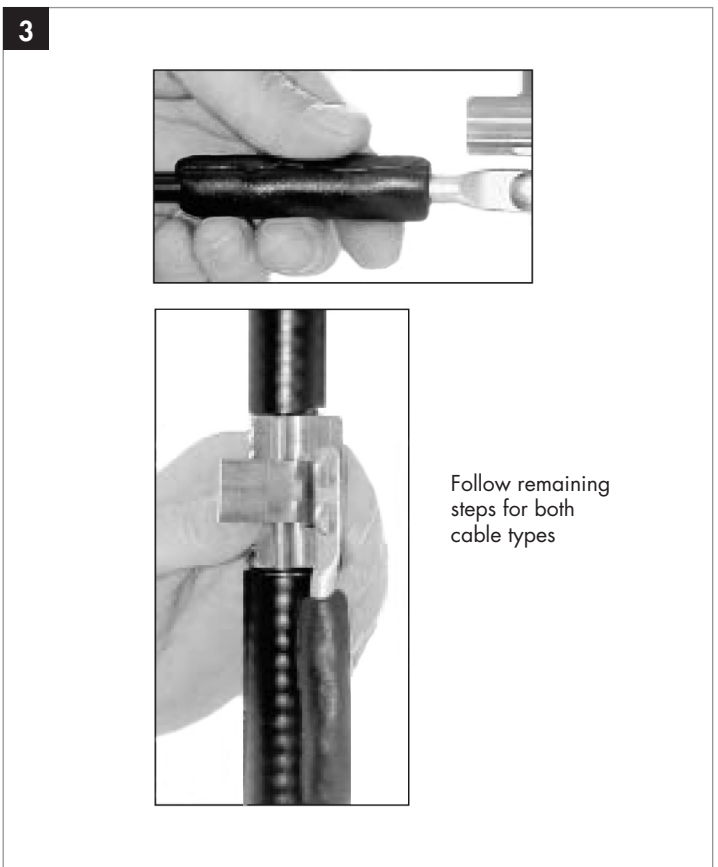
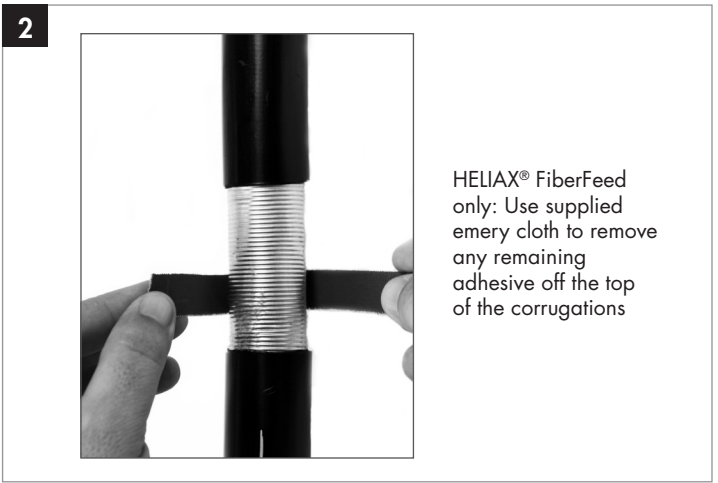
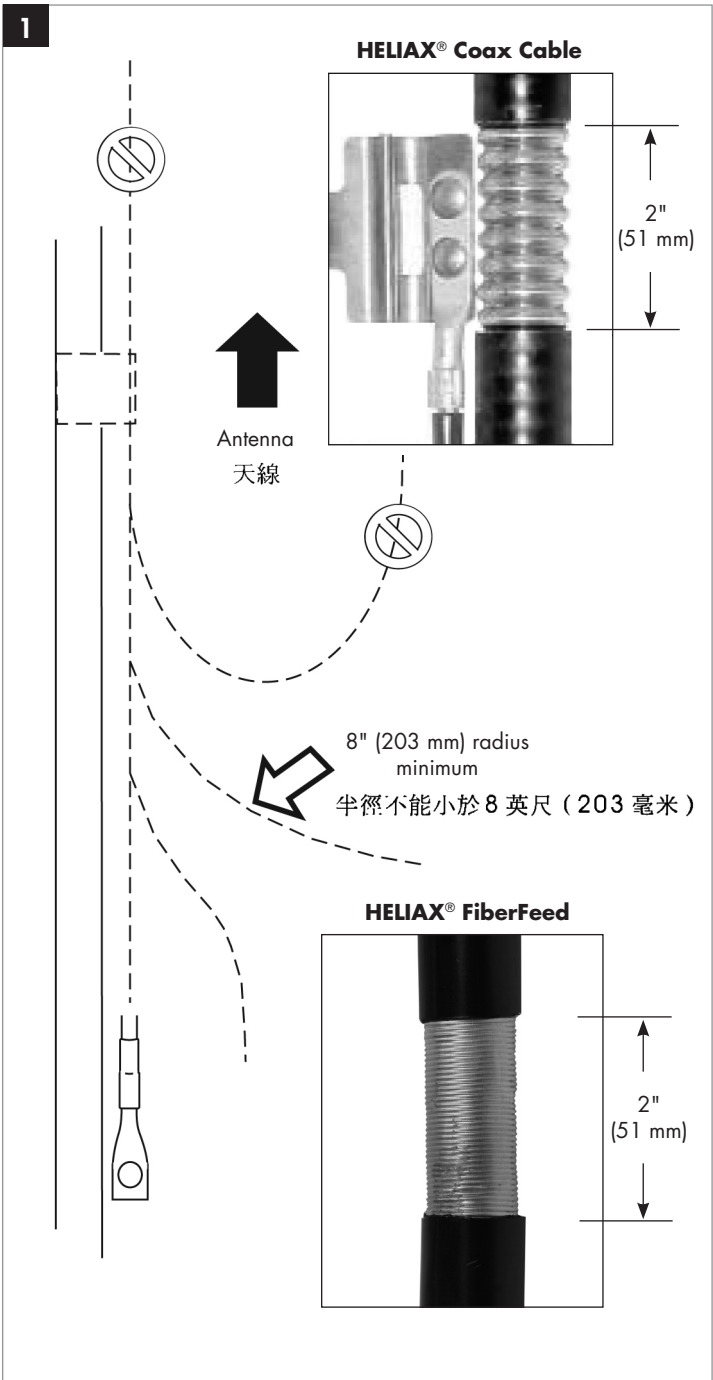
Do not attempt grounding kit installation in the presence of thunderstorms. Failure to obey this warning may result in injury or death to you or others.



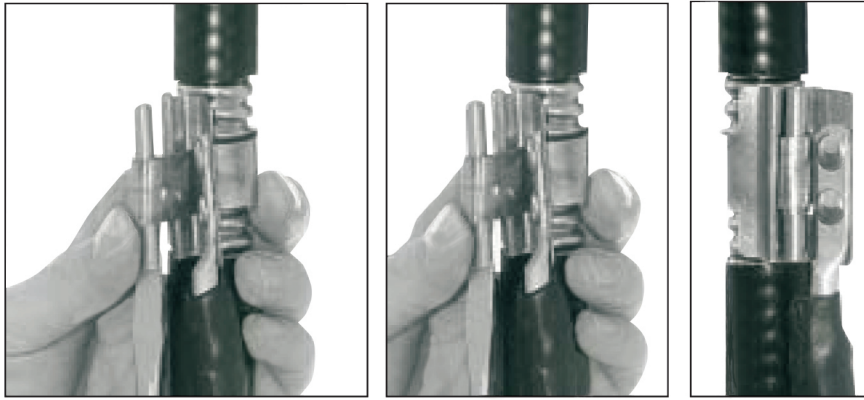
警告

不要試圖在有雷雨時安裝接地元件。
不遵守該警告可能會對你和其他人造成傷害或死亡。

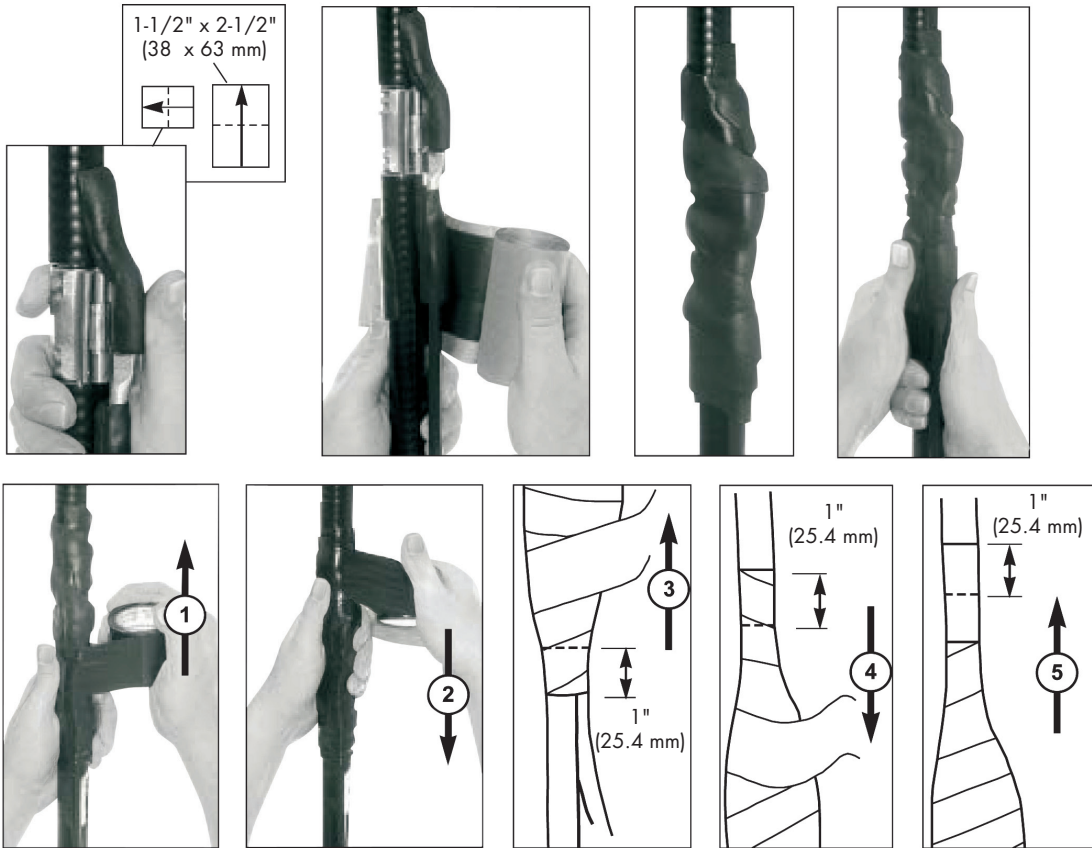




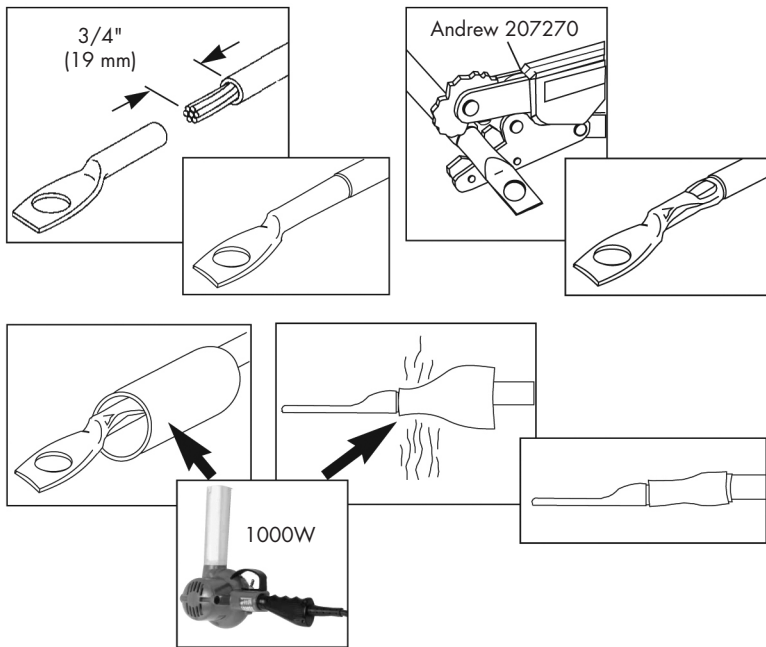
5



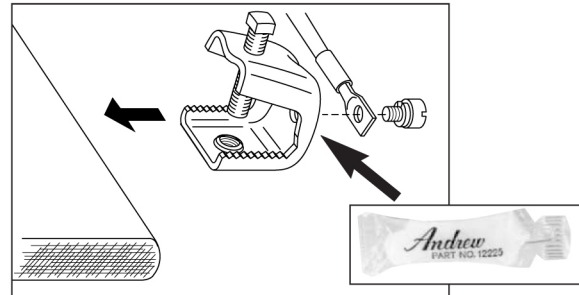
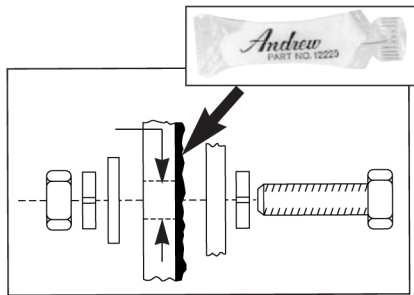
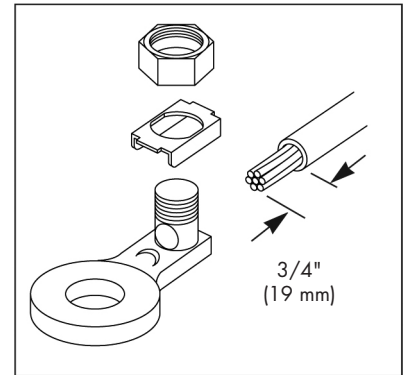
6



7



OR



NOTICE

The installation, maintenance, or removal of antenna systems requires qualified, experienced personnel. Andrew installation instructions are written for such personnel. Antenna systems should be inspected once a year by qualified personnel to verify proper installation, maintenance, and condition of equipment. Andrew disclaims any liability or responsibility for the results of improper or unsafe installation practices.

注意：天線系統的安裝、維護與拆卸，必須由有經驗的合格技術人員進行。Andrew 安裝指示是專為該技術人員所編寫的。天線系統每年必須由合格的技術人員檢查一次，以確保設備的安裝、保養及狀況良好。Andrew 公司申明對於不恰當或不安全的安裝所導致的後果，一概不負任何義務和責任。

CommScope

1100 CommScope Place SE P.O. Box 339, Hickory, NC 28603-0339
 (828) 324-2200 (800) 982-1708
www.commscope.com/andrew

Customer Service 24 hours

North America: +1-800-255-1479 (toll free)
 Any country: +1-779-435-6500
 email: acicustomersupportcenter@commscope.com

Notice: CommScope disclaims any liability or responsibility for the results of improper or unsafe installation, inspection, maintenance, or removal practices.
 Aviso: CommScope no acepta ninguna obligación ni responsabilidad como resultado de prácticas incorrectas o peligrosas de instalación, inspección, mantenimiento o retiro.
 Avis: CommScope décline toute responsabilité pour les conséquences de procédures d'installation, d'inspection, d'entretien ou de retrait incorrectes ou dangereuses.
 Hinweis: CommScope lehnt jede Haftung oder Verantwortung für Schäden ab, die aufgrund unsachgemäßer Installation, Überprüfung, Wartung oder Demontage auftreten.
 Atenção: A CommScope abdica do direito de toda responsabilidade pelos resultados de práticas inadequadas e sem segurança de instalação, inspeção, manutenção ou remoção.
 Avvertenza: CommScope declina eventuali responsabilità derivanti dall'esecuzione di procedure di installazione, ispezione, manutenzione e smontaggio improprie o poco sicure.
 注意：CommScope 公司申明對於不恰當或不安全的安裝、檢驗、維修或拆卸操作所導致的後果不負任何義務和責任。