

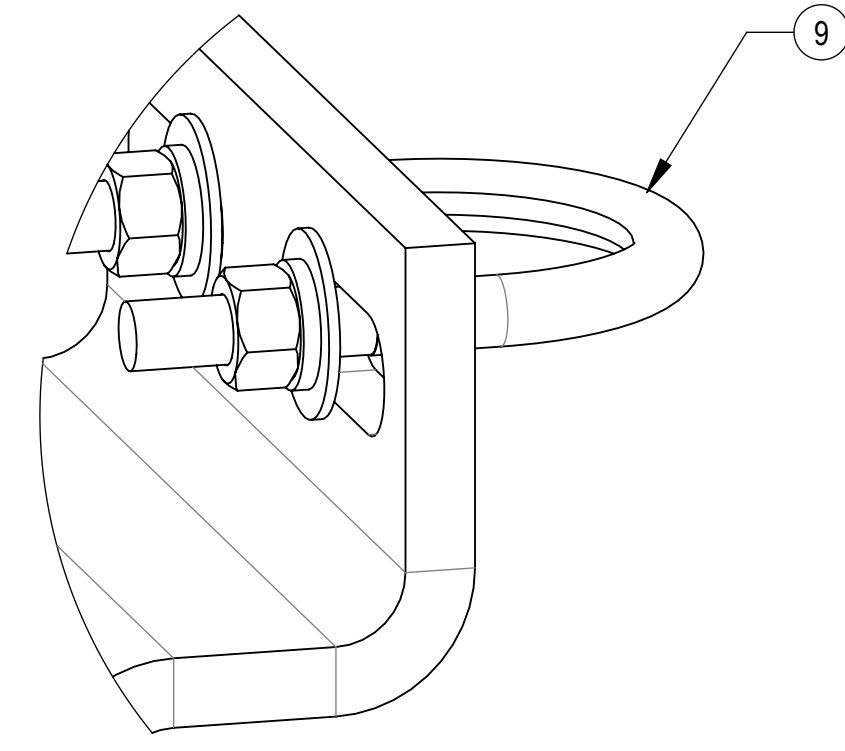


4

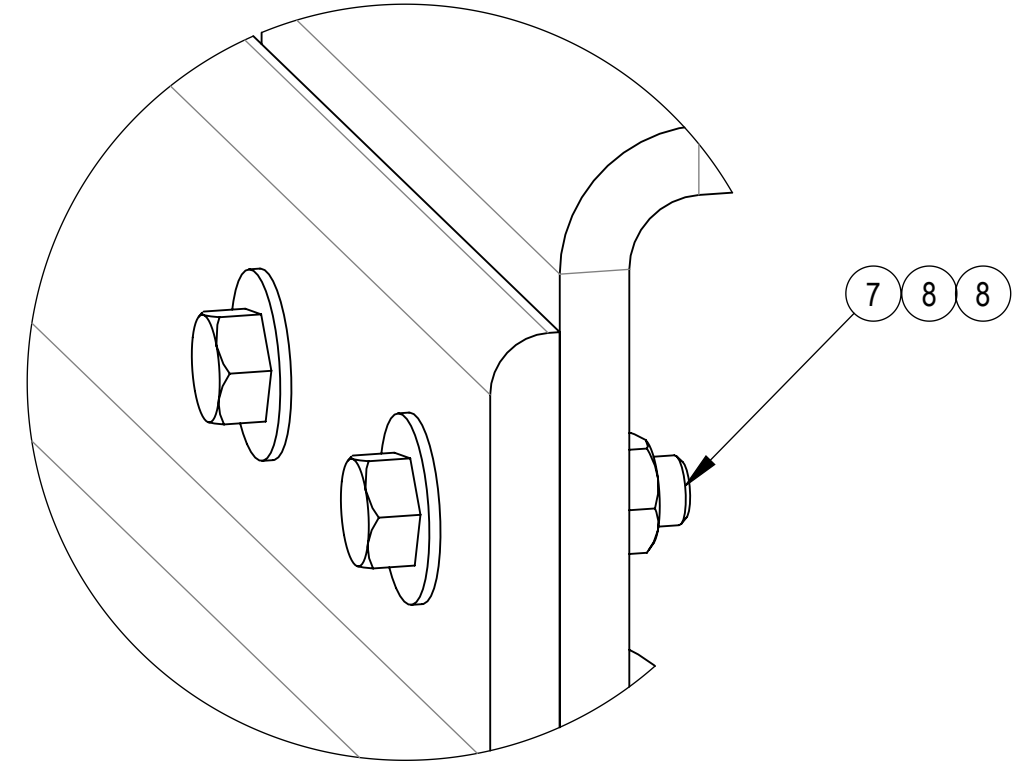
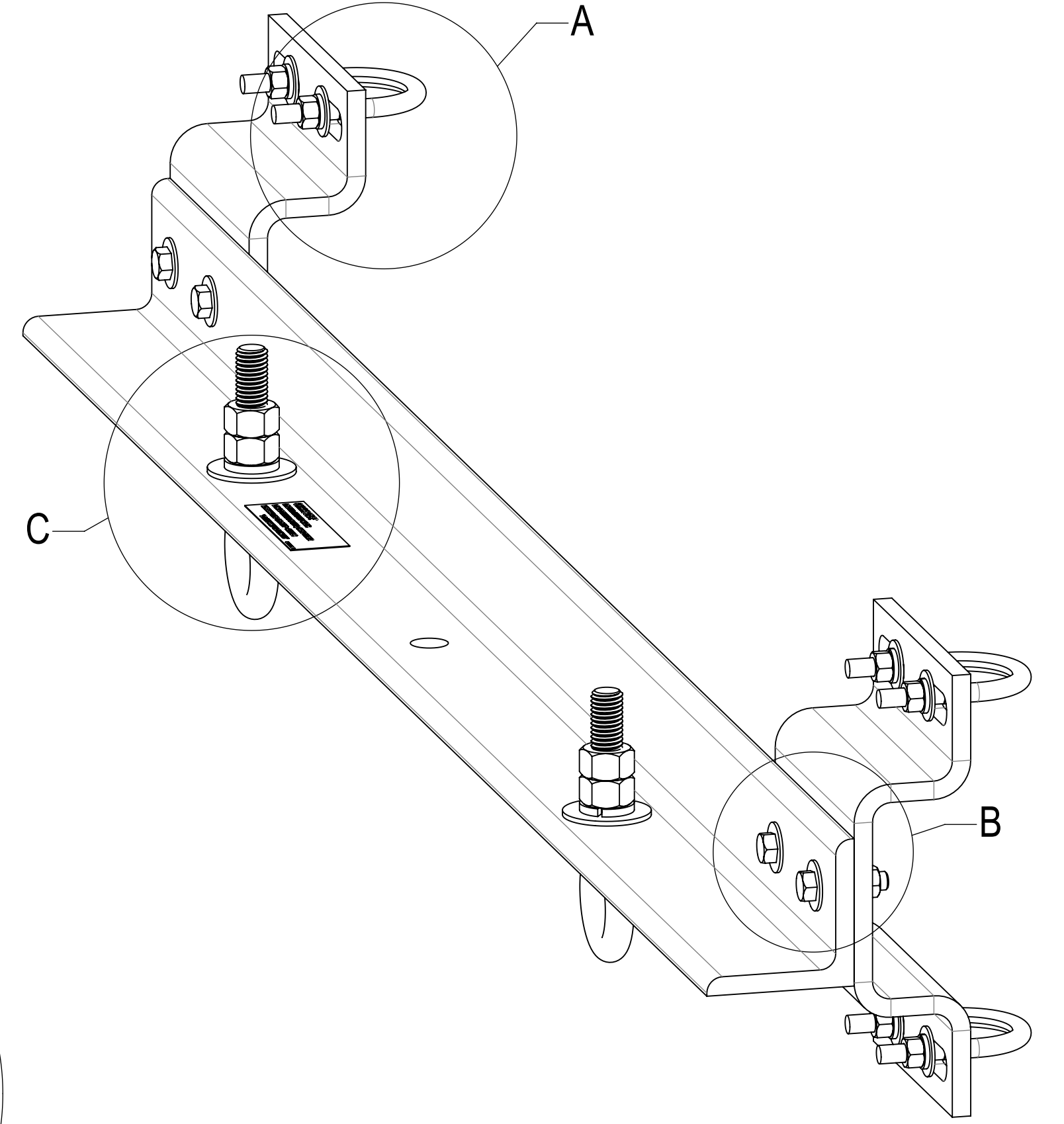
3

2

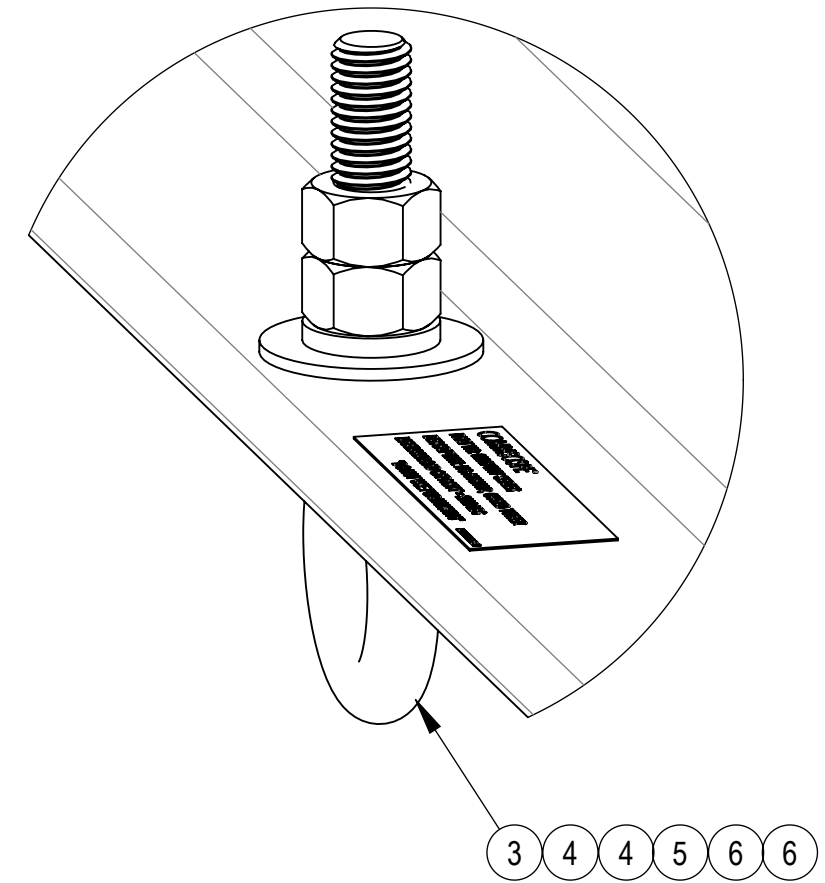
1



**DETAIL A**  
SCALE 1 : 1


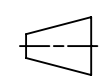


**DETAIL B**  
SCALE 1 : 1



**DETAIL C**  
SCALE 2 : 3

NOTE: -MAXIMUM LOAD PER EYEBOLT = 1000 LBS  
 -MAXIMUM LOAD PER GRIP ANCHOR = 2000 LBS  
 -NOT TO BE USED FOR HOISTING  
 -COMPETENT PERSON TO MAKE DETERMINATION OF USAGE  
 ON THE STRUCTURE

COMMSCOPE, INC. OF NORTH CAROLINA					
TITLE HG ANCHOR, GUYED-TOWER, 48" FACE					
SIZE <b>C</b>	SCALE <b>1:5</b>	DOCUMENT NO. 860674607-048			
 		DRAWING			SHEET 2 OF 2
		VERSION 01	STATUS RE	REVISION B	

4

3

2

1