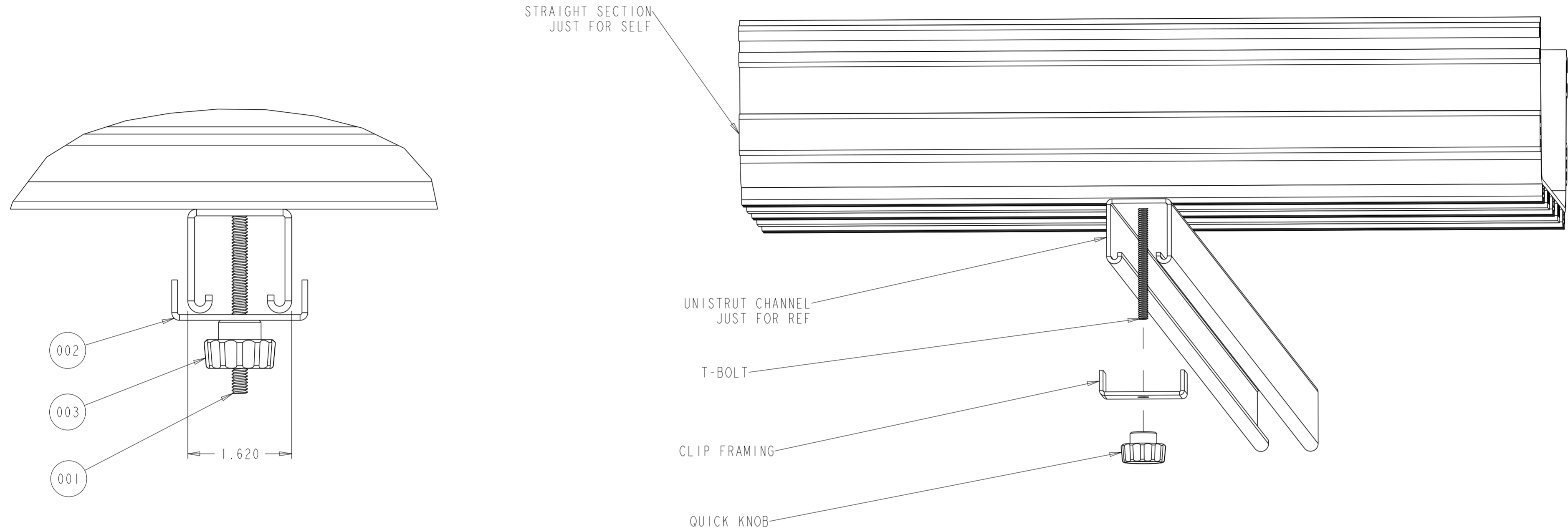


| REVISIONS | | | |
|-----------|-------------|-------------|----------|
| REV | DESCRIPTION | DATE | APPROVED |
| B | 40032743MCO | 08-AUG-16 | ARL |
| C | 40182898CMO | 08-NOV-2023 | MAM |



| PART LIST | | |
|-----------|-----|----------------------|
| F/N | QTY | DESCRIPTION |
| 001 | 10 | T-BOLT 1/4-20 3" |
| 002 | 10 | CLIP FRAMING FOR 1/4 |
| 003 | 10 | QUICK KNOB |

CATALOG NUMBER: **FGS-ACC532**

| | | | |
|---------------------------|------------|--|-------------------------------------|
| COMMSCOPE, INC. | | | |
| DRAFTER MIGUEL MUÑOZ | | TITLE INST DWG, BOLT FOR INSIDE UNISTRUT, 10 PC KIT, FGS | |
| ENGINEER RUBEN ARVILLA | SIZE A2 | SCALE 0.071 | DOCUMENT NO. 300100107786 |
| CUSTOMER DRAWING | | | REVISION C |
| | | | SHEET 1 OF 1 |