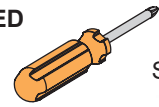


Optical Patch Enclosure (ODF-MPOCAB-240)

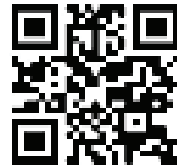
PARTS LIST	
QTY	DESCRIPTION
1	ODF-MPOCAB-240 OPTICAL PATCH ENCLOSURE
1	KIT, RACK MOUNTING BRACKET*
1	KIT, RADIUS CONTROL BRACKET

*INCLUDES MOUNTING HARDWARE

REQUIRED TOOL



#2 PHILLIPS SCREWDRIVER

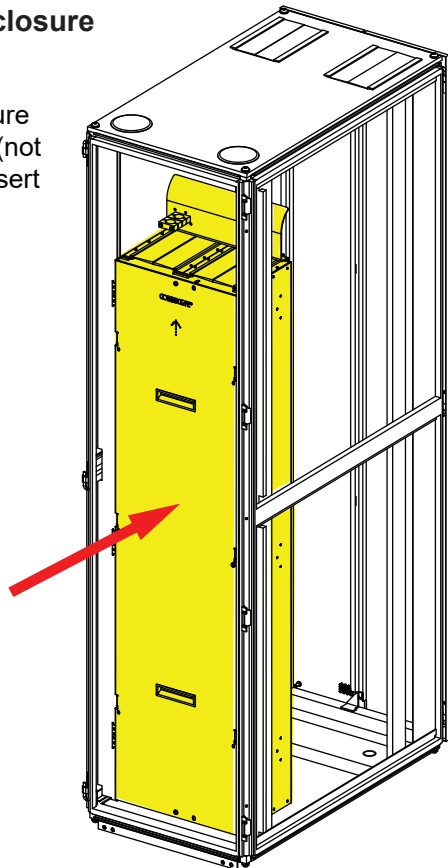


PRODUCT INFO

NOTE: For installation details, download the electronic user manual (TC-96322-IP), accessible using product QR code.

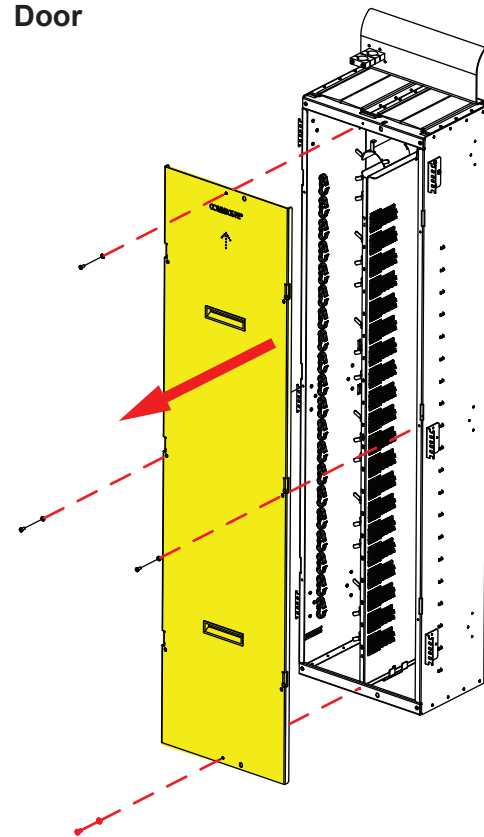
3 Install Enclosure in Cabinet

Align enclosure with cabinet (not provided). Insert enclosure in cabinet and fasten mounting brackets to cabinet structure.



3

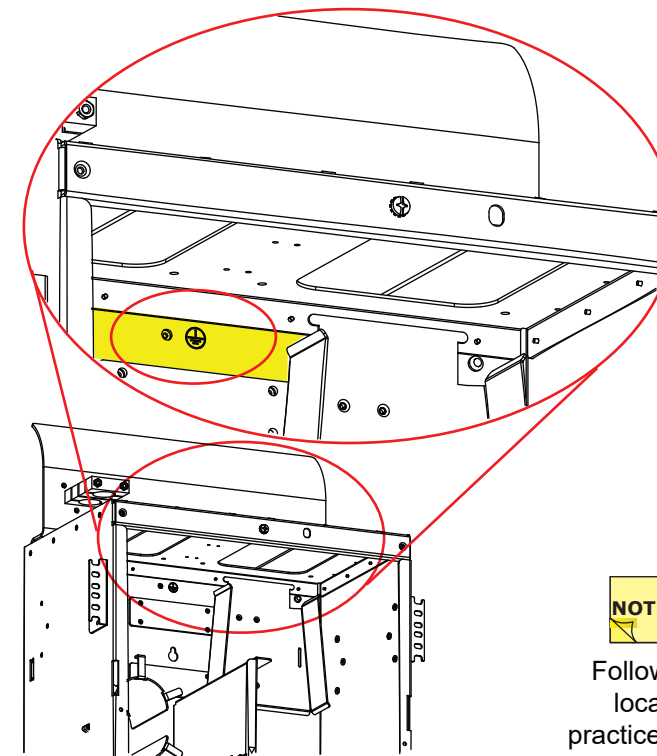
4 Remove Enclosure Door



4

5 Ground Enclosure

Ground the enclosure at identified location.

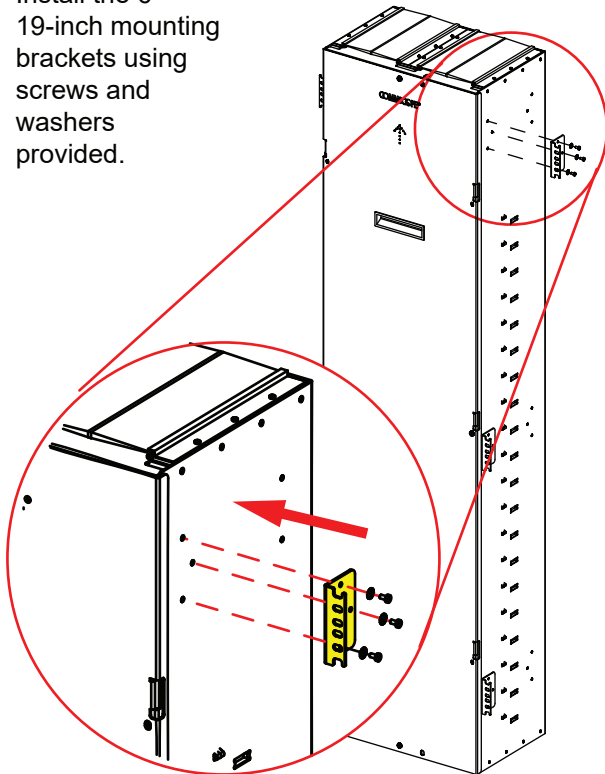


5

NOTE: Follow local practice.

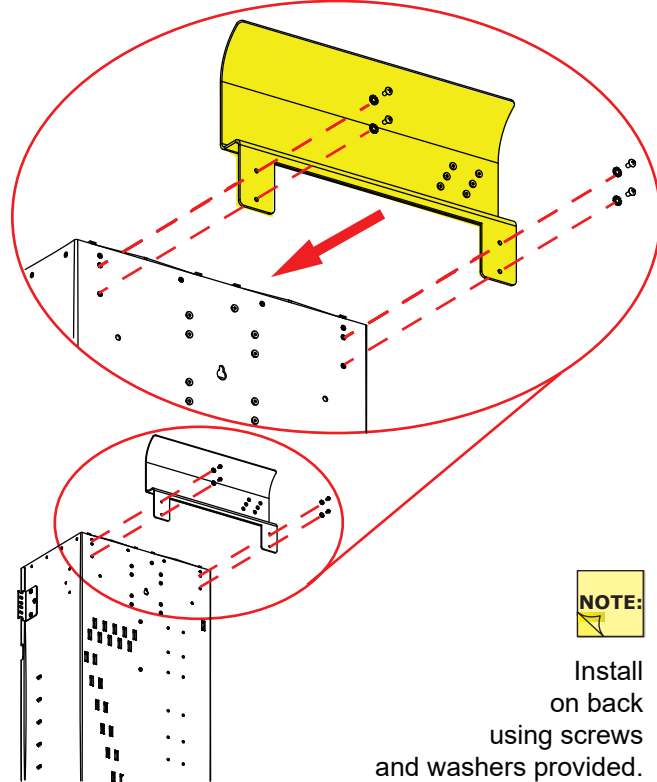
1 Install the Mounting Brackets

Install the 6 19-inch mounting brackets using screws and washers provided.



1

2 Install the Radius Control Bracket

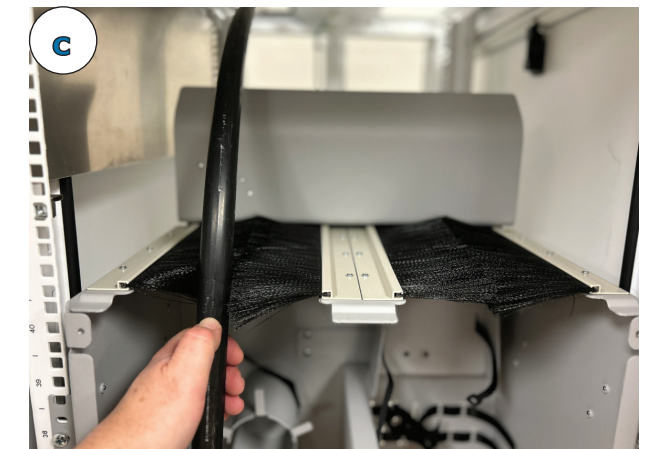


NOTE: Install on back using screws and washers provided.

2

6 Install First High Fiber Trunk (24F Connector End)

(a) Remove the two screws holding the access bar.
(b) Remove the access bar and set it aside.
(c) Insert the trunk on the left side of cabinet at the appropriate length into the entry brushes.
(d) Secure the trunk within the clamp, following the clamp kit instructions.

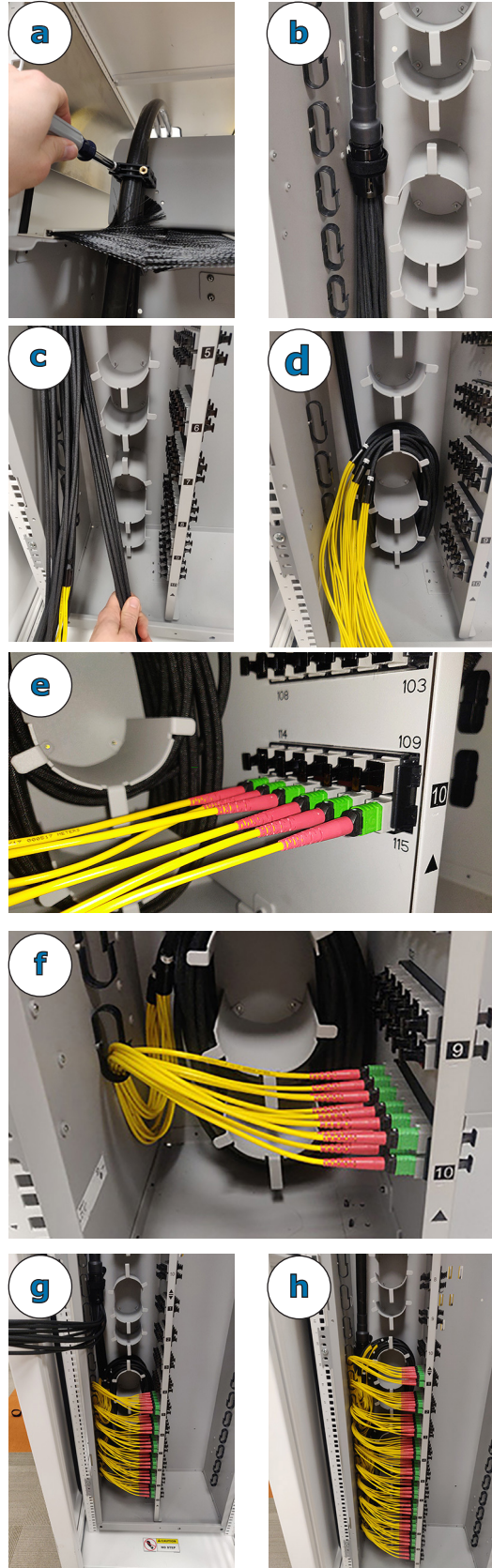


6

7

Clamp, Route, and Connect 24F MPO Fiber Trunks

The enclosure accepts two 2880 or smaller 24F MPO high fiber count trunks. Each trunk has multiple subunits (see table for subunit quantity) of decreasing length, consisting of a black braided tube transitioning to 6 x 24F MPO connectors. Each adapter pack accepts 2 x trunk subunits (i.e. 2 x black braided tubing, for a total of 12 x 24F MPO connectors).



(a) Feed in and clamp first trunk as shown in step 6 on page 1.

NOTE: Connection label on enclosure door shows routing & adapter pack pairing for every trunk subunit.

(b) Using Velcro strap, secure trunk to enclosure housing.

(c) Route longest 6 trunk subunits to bottom radius limiters. (Labeled #8 - #10)

(d) Wrap breakout tubing around radius limiters until breakout housing is past upper limiter. Use either bottom limiter to achieve proper length.

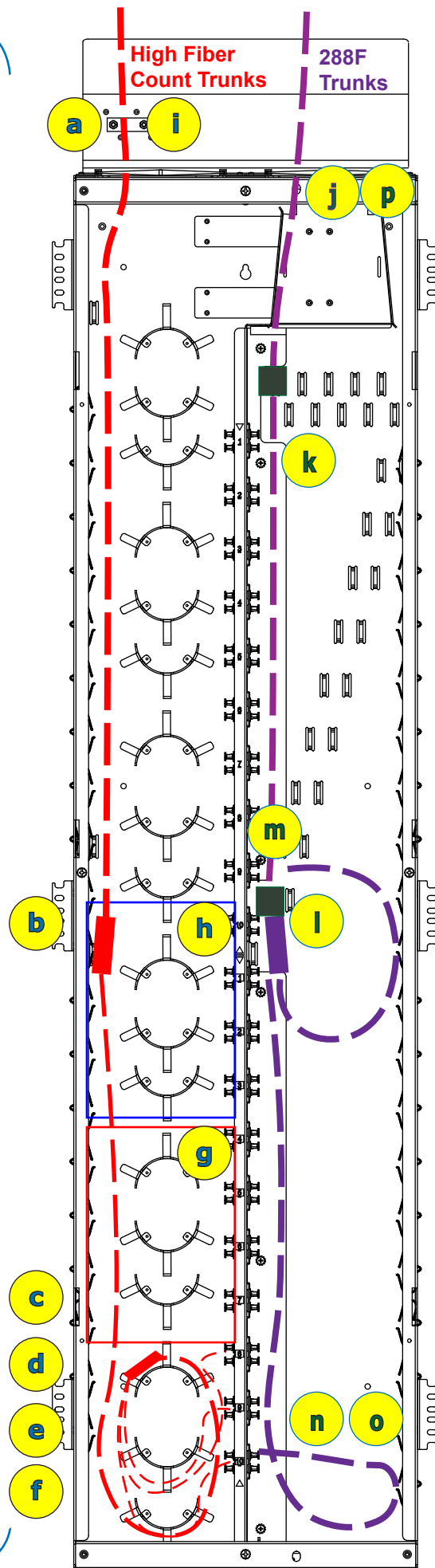
(e) Connect trunk subunits to corresponding connector numbers exactly per IDs on bulkhead. For example, connect longest subunits labeled 115-120 to adapter pack #10 in bottom half of enclosure.

(f) Use retention clips to hold trunk subunits to left side of cabinet, ensuring that a drip loop of yellow connector tubes is formed toward rear of enclosure.

(g) Route next 6 subunits (labeled #5 - #7) to bottom middle set of radius limiters; wrap and connect.

(h) Route last 8 subunits (labeled #1 - #4) to top set of radius limiters; wrap & connect. **NOTE:** This group of radius limiters will have two additional subunits routed.

(i) Route in and clamp second trunk as done with first.



8

Clamp, Route, and Connect 288 Trunks

The enclosure accepts up to twenty 288-fiber (24F MPO connector) trunks. Each trunk has 2 subunits, each with 144 fibers. First subunit goes to top half of enclosure, second subunit goes to bottom half.

NOTE: Trunks are installed in reverse numerical order per label. Trunk #20 is installed first.

(j) Route Trunk #20 and Trunk #19 to top left brush-seal entry of enclosure. Tie trunks together with Trunk #20 at back and Trunk #19 in front. Route trunks down along diagonal guide.

(k) Using Velcro strap inserted through first (top left) lance feature, tie the trunks together to enclosure housing.

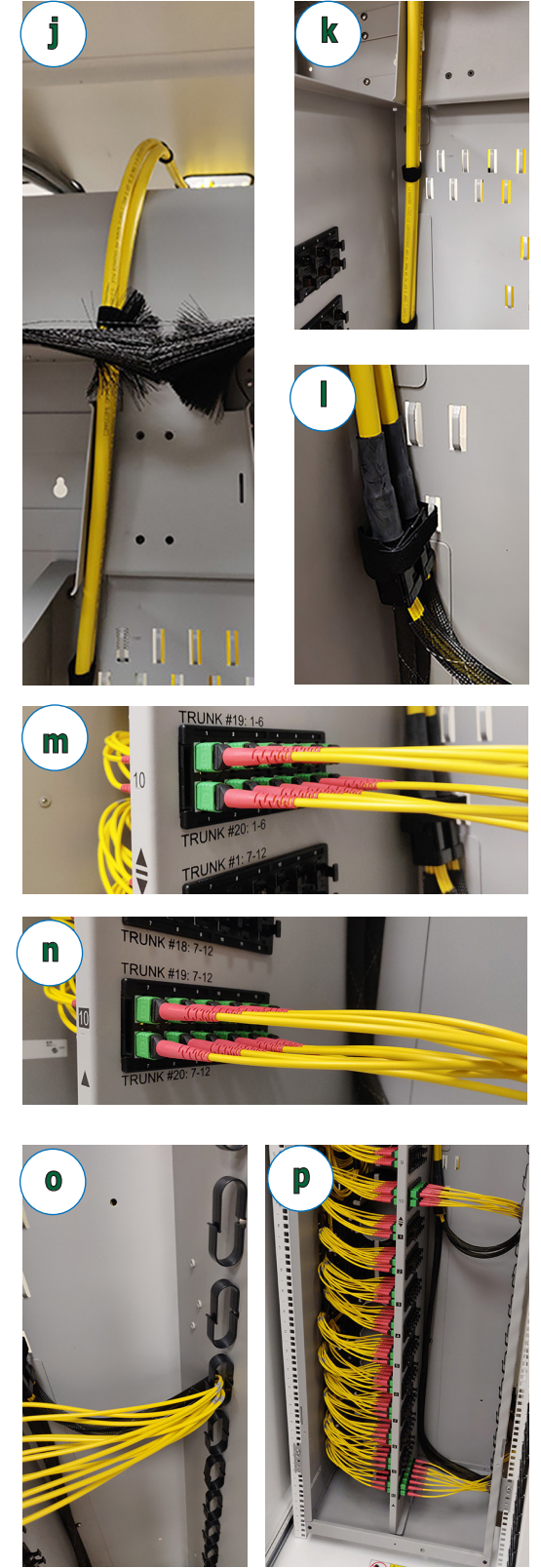
(l) Tie the two trunks to lance features lower down in the enclosure using the bottom left feature.

(m) Connect Trunk #20 & Trunk #19 first sets of 6 x 24F MPO connectors to adapter pack #10 in top half of enclosure.

(n) Connect Trunk #20 & Trunk #19 second sets of 6 x 24F MPO connectors to adapter pack #10 in bottom half of enclosure.

(o) Use retaining clips to manage trunk subunits.

(p) Continue routing in and connecting remainder of trunks in sets of two moving rightward and upward in enclosure.



9

Re-install Enclosure Door and Access Bar

Do the reverse of Steps 4 and Steps 6a and 6b on Page 1 of this Quick Start.