

1.0 GENERAL NOTES

- 1.1 ALL METRIC DIMENSIONS ARE IN BRACKETS [X. X]
- 1.2 FOR PATENT INFO: <https://www.cs-pat.com>
- 1.3 PARTS SHOWN AS COMPLETED ASSEMBLY
- 1.4 ITEMS INDICATED ARE FOR CUSTOMER USE AT INSTALLATION



2.0 DESIGN NOTES

3.0 MANUFACTURING/SPECIAL REQUIREMENTS

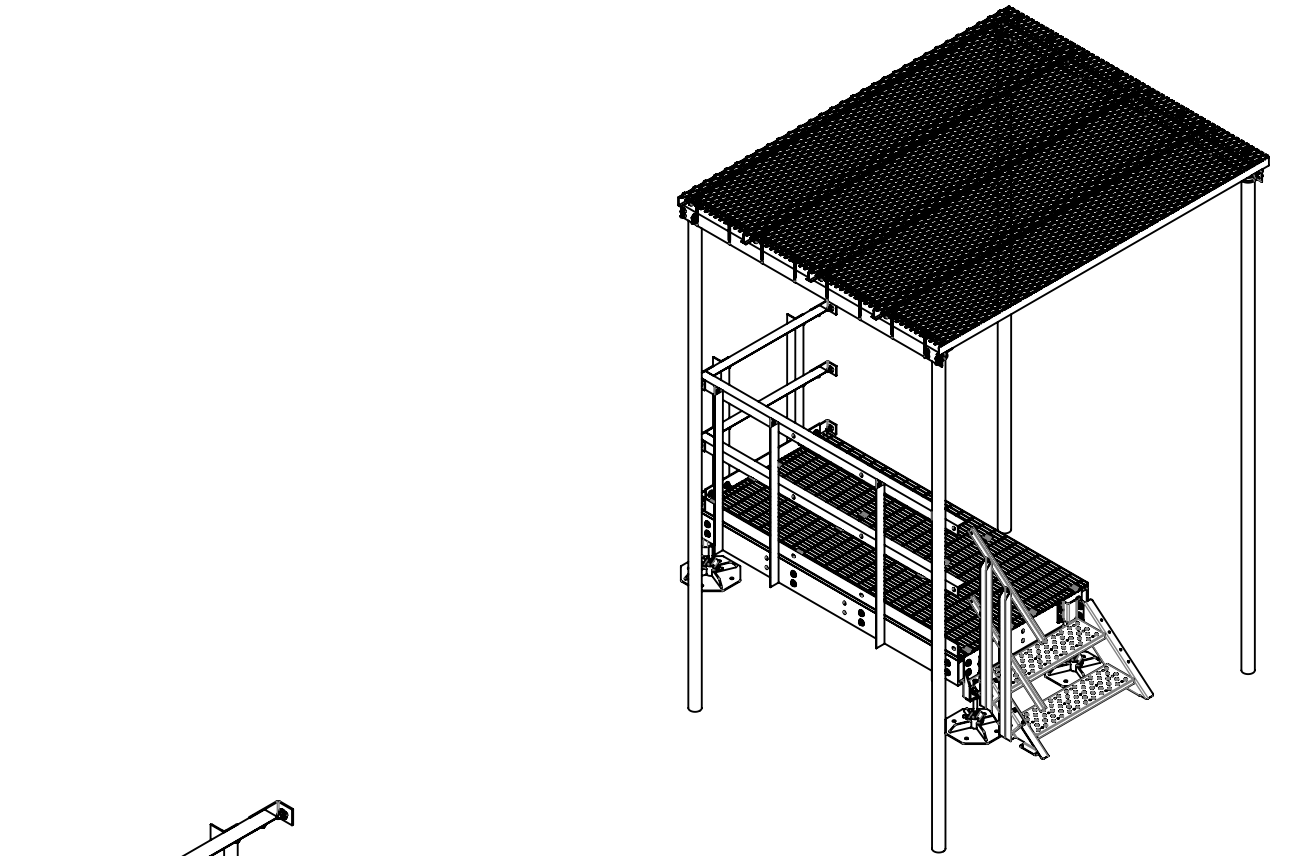
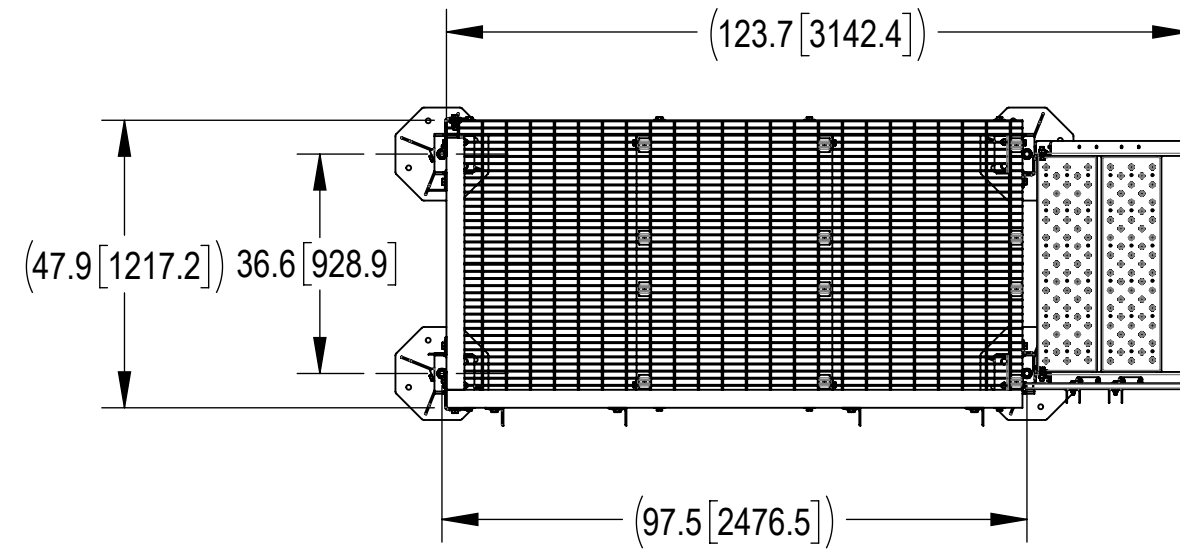
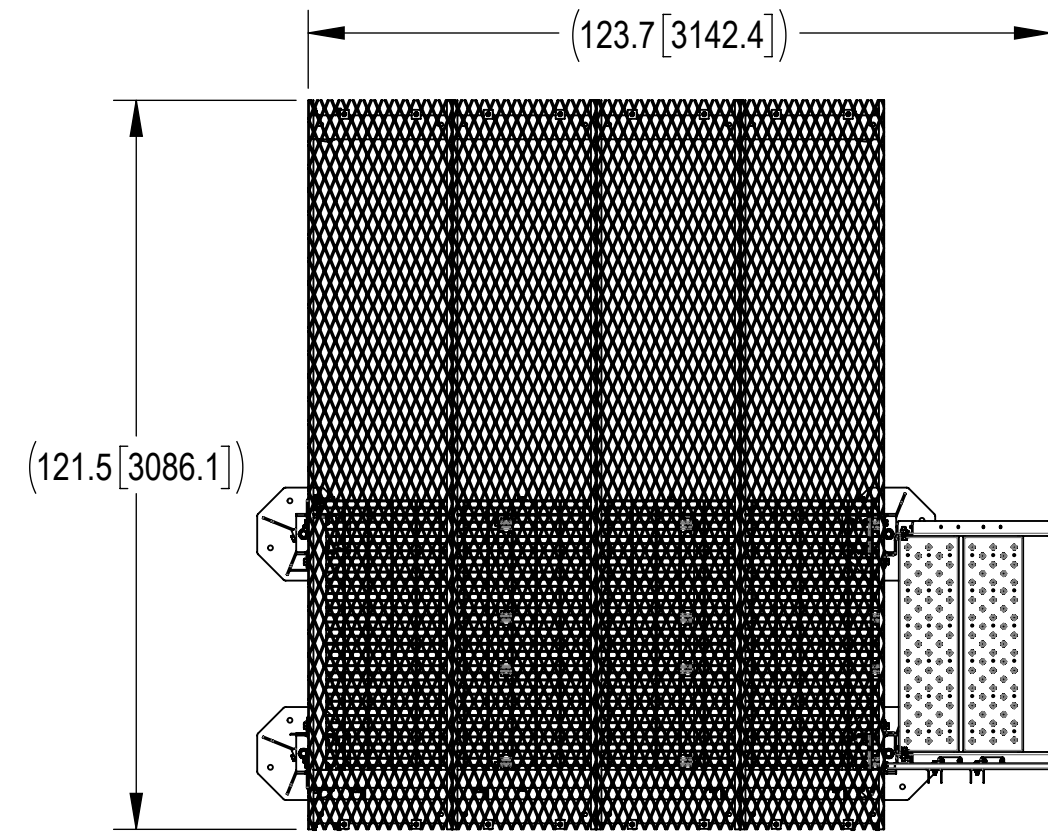
- 3.1 TIGHTEN ALL BOLTS SNUG TIGHT, DEFINED AS THE CONDITION OBTAINED WITH A FEW IMPACTS OF AN IMPACT WRENCH OR THE FULL EFFORT OF AN IRONWORKER USING AN ORDINARY SPUD WRENCH TO BRING THE CONNECTED PLIES INTO FIRM CONTACT

4.0 TEST

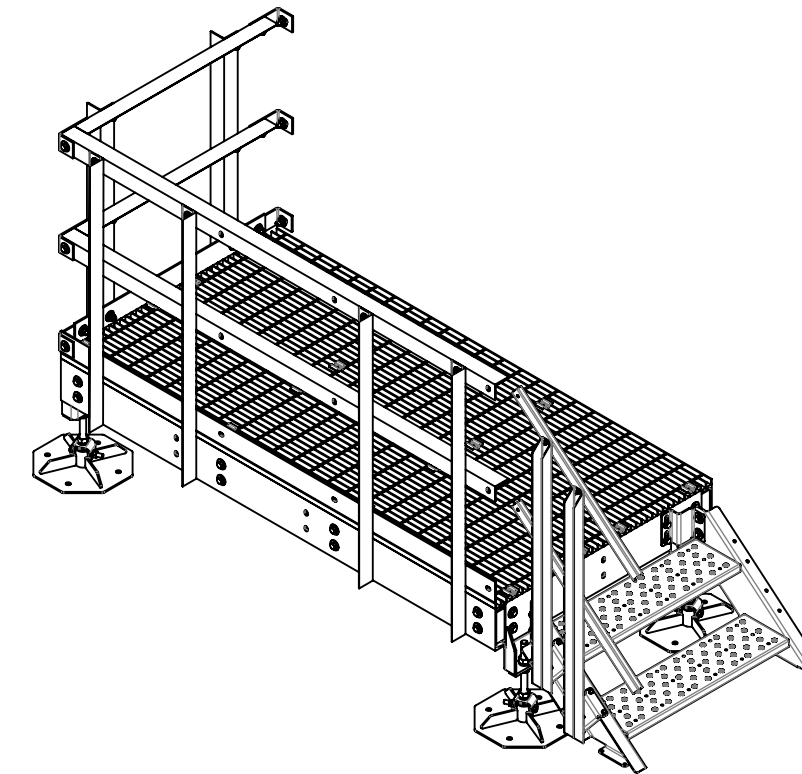
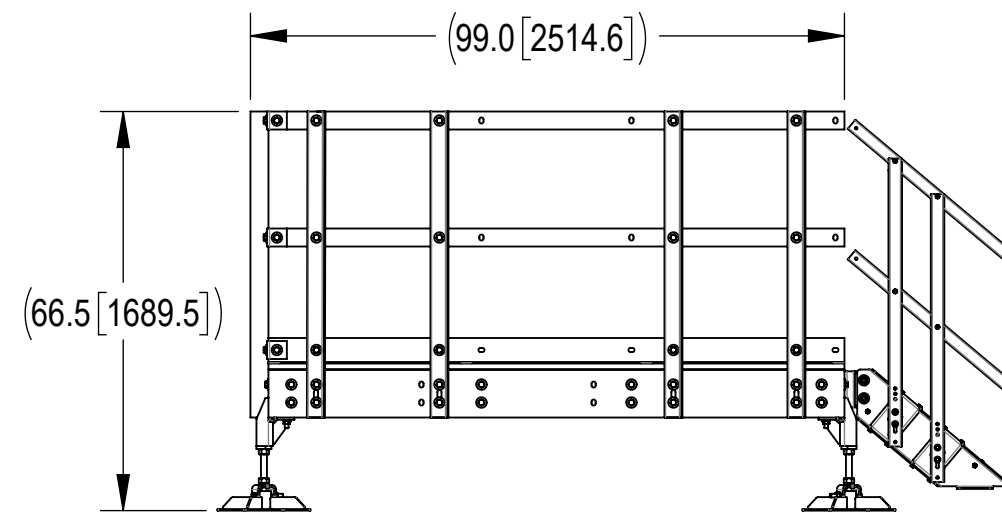
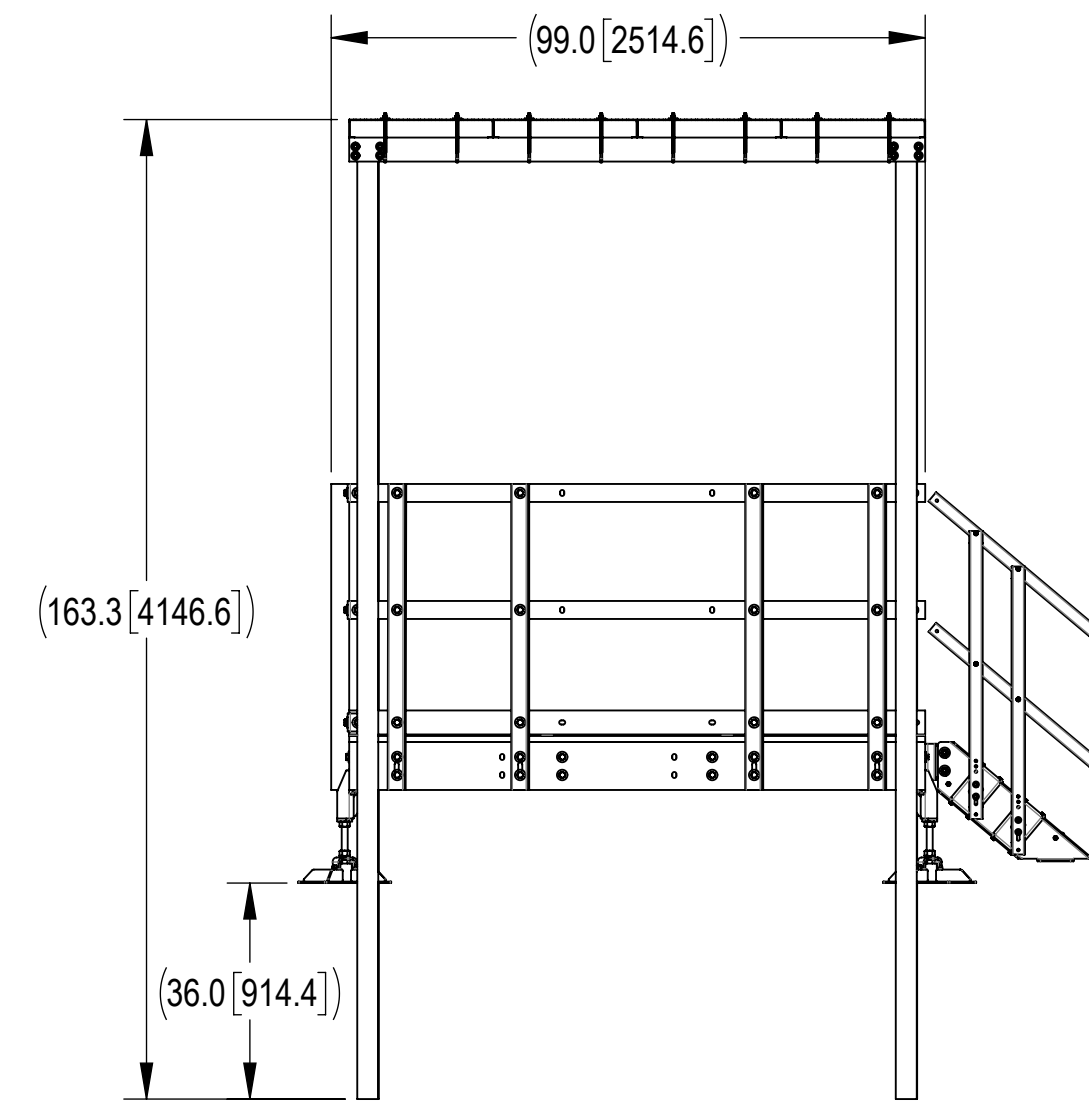
5.0 PACKAGING

- 5.1 PACKAGING SHALL MEET COMMSCOPE REQUIREMENTS PER DOCUMENT IS-PL-3005
- 5.2 PRINTED DOCUMENT TO BE PLACED INSIDE POLYBAG AND THEN IN SHIPPING CONTAINER
- 5.3 EXTRA HARDWARE MAYBE SUPPLIED, BAGGED AND SHIPPED

REVISIONS			
REV.	DESCRIPTION	DATE	APPROVED
A	INITIAL RELEASE	LL1090 22FEB24	AG1119 40189073CMO
B	ADDED ITEMS 6 THROUGH 9 TO BOM	LL1090 2/23/2024	AG1119 40189073CMO



WITH ICE BRIDGE



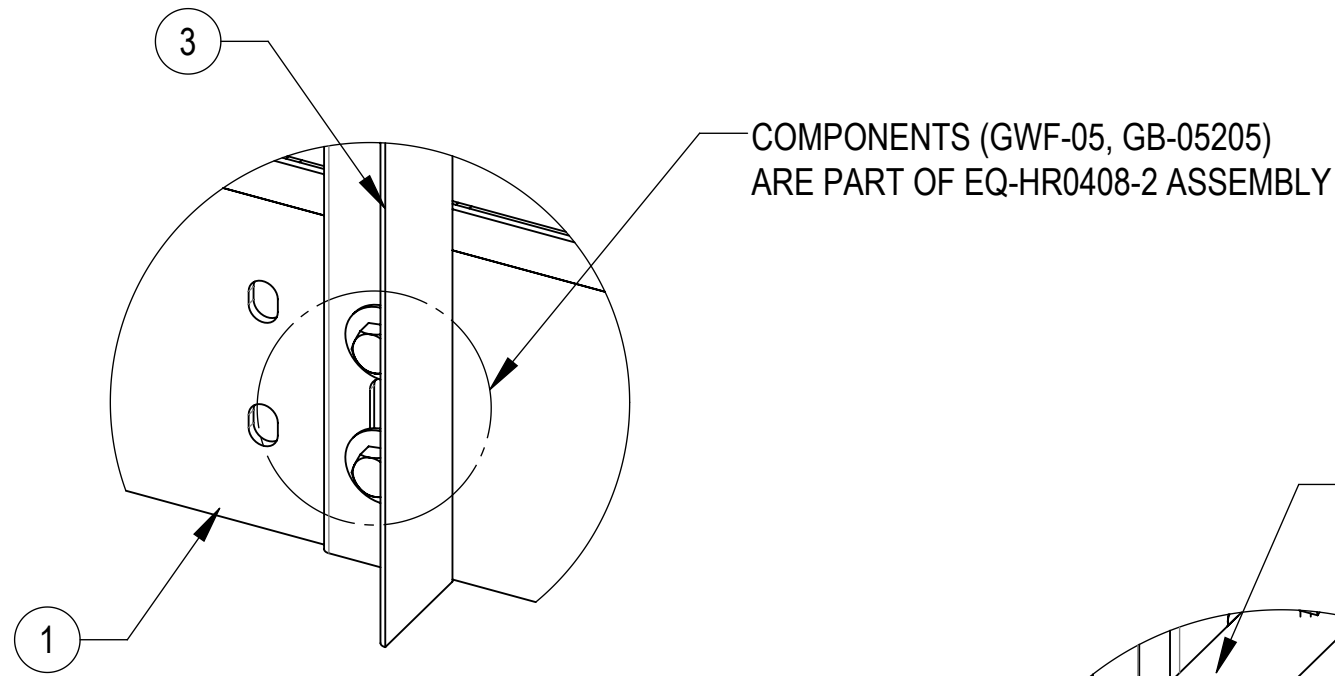
WITHOUT ICE BRIDGE

WITHOUT ICE BRIDGE

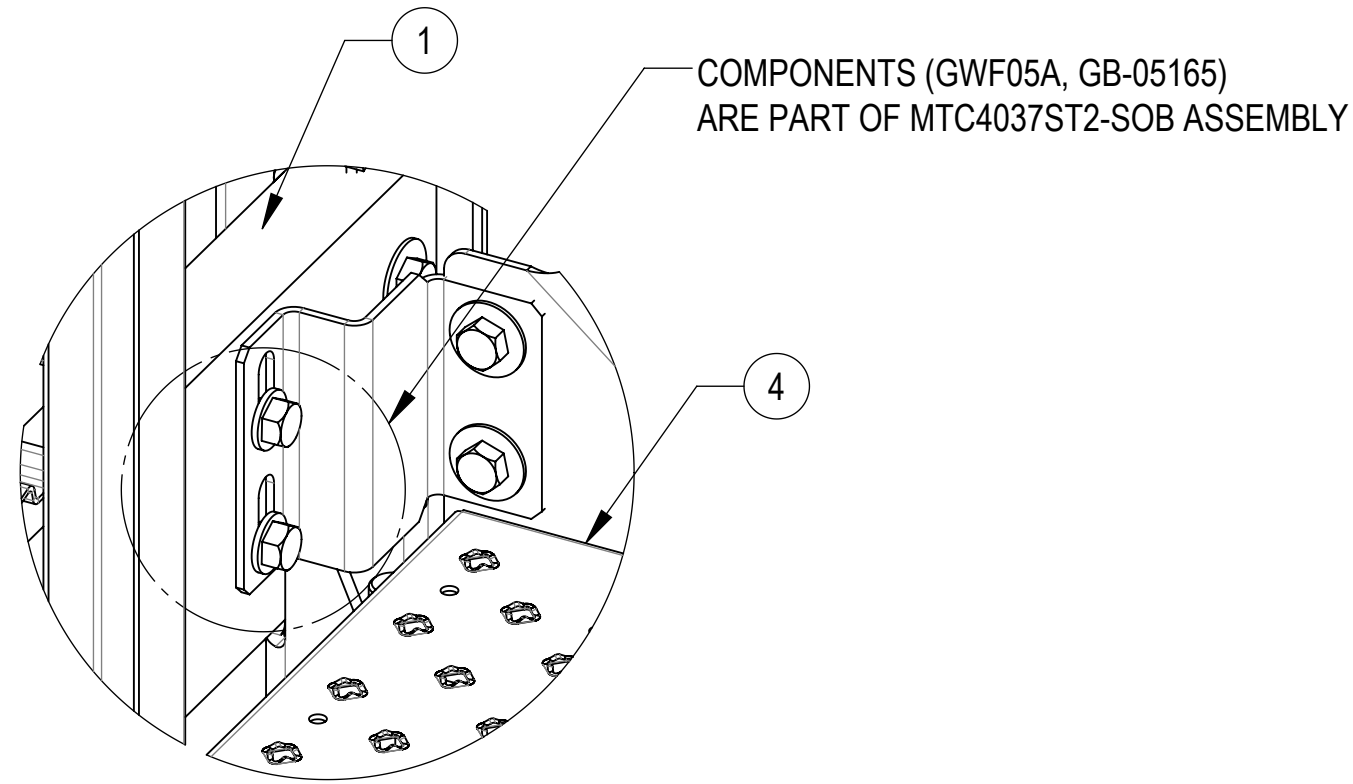
WITH ICE BRIDGE

<b>COMMSCOPE, INC. OF NORTH CAROLINA</b>									
TOLERANCES		SAP MATERIAL MASTER							
1 PLACE .X[X] ± 0.2[6.3]	3 PLACE .XXX[X] ± 0.060[1.5]	860677770-001							
2 PLACE .XX[X] ± 0.12[3.0]	ANGLES ± 2°								
FINISH NONE		MATERIAL SEE BOM SHEET 2							
UNLESS OTHERWISE SPECIFIED DIMENSIONS ARE IN INCHES INTERPRET PER ANSI Y 14.5M-1994	NAME	DATE	TITLE						
	CE LL1090	22FEB24	<b>CUSTOM PLATFORM 4X8 W/ STEPS &amp; HR</b>						
	RW YMENG	02/26/2024							
	AD AG1119	02/26/2024							
	RE AG1119	02/26/2024							
ECN 40189073CMO									
SCALE	DOCUMENT NO.								
<b>1:32</b>	<b>860677770-001</b>								
SIZE	Auth Group	INSL	MODEL						
<b>C</b>			VERSION	STATUS	REVISION	VERSION	STATUS	REVISION	SHEET
			01	RE	B	01	RE	B	1 OF 2

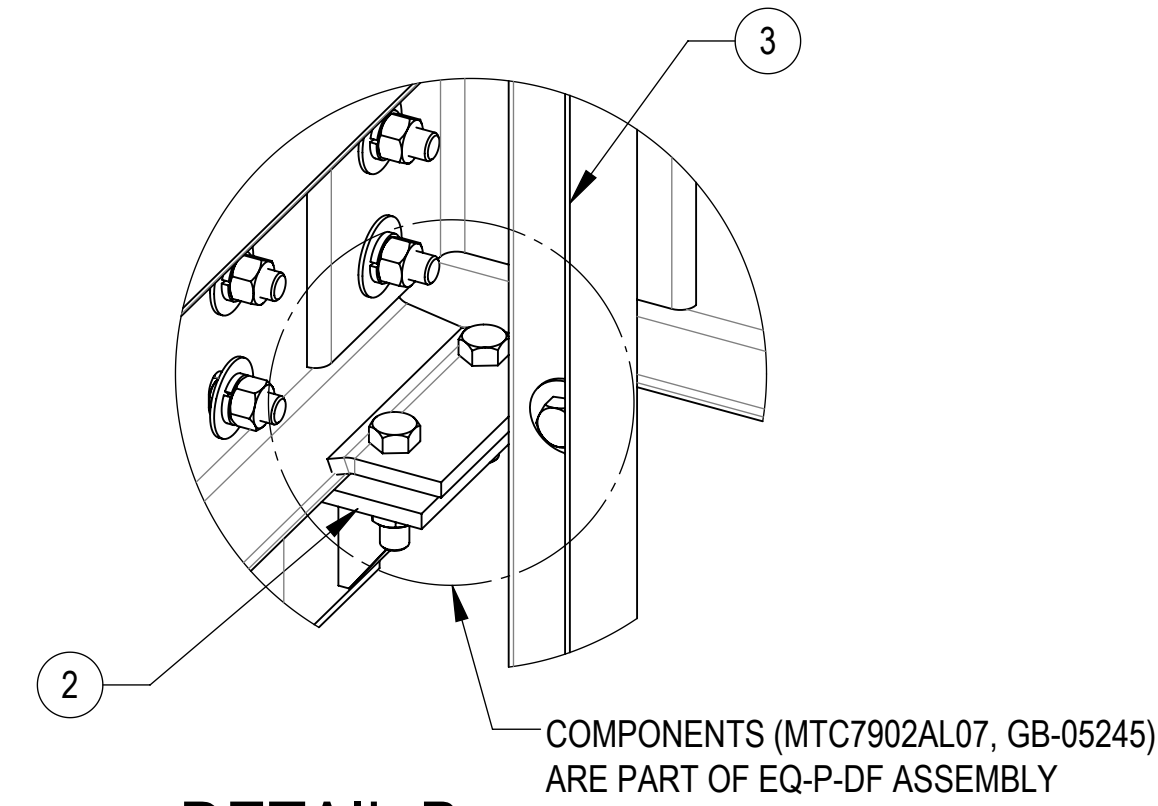
DENSITY		lbs/in <sup>3</sup>
MASS	1716.66	lbs
VOLUME	6068.05	in <sup>3</sup>
SURFACE AREA	74276.26	in <sup>2</sup>
HEIGHT	166.3"	
LENGTH	123.7"	
WIDTH	120.0"	



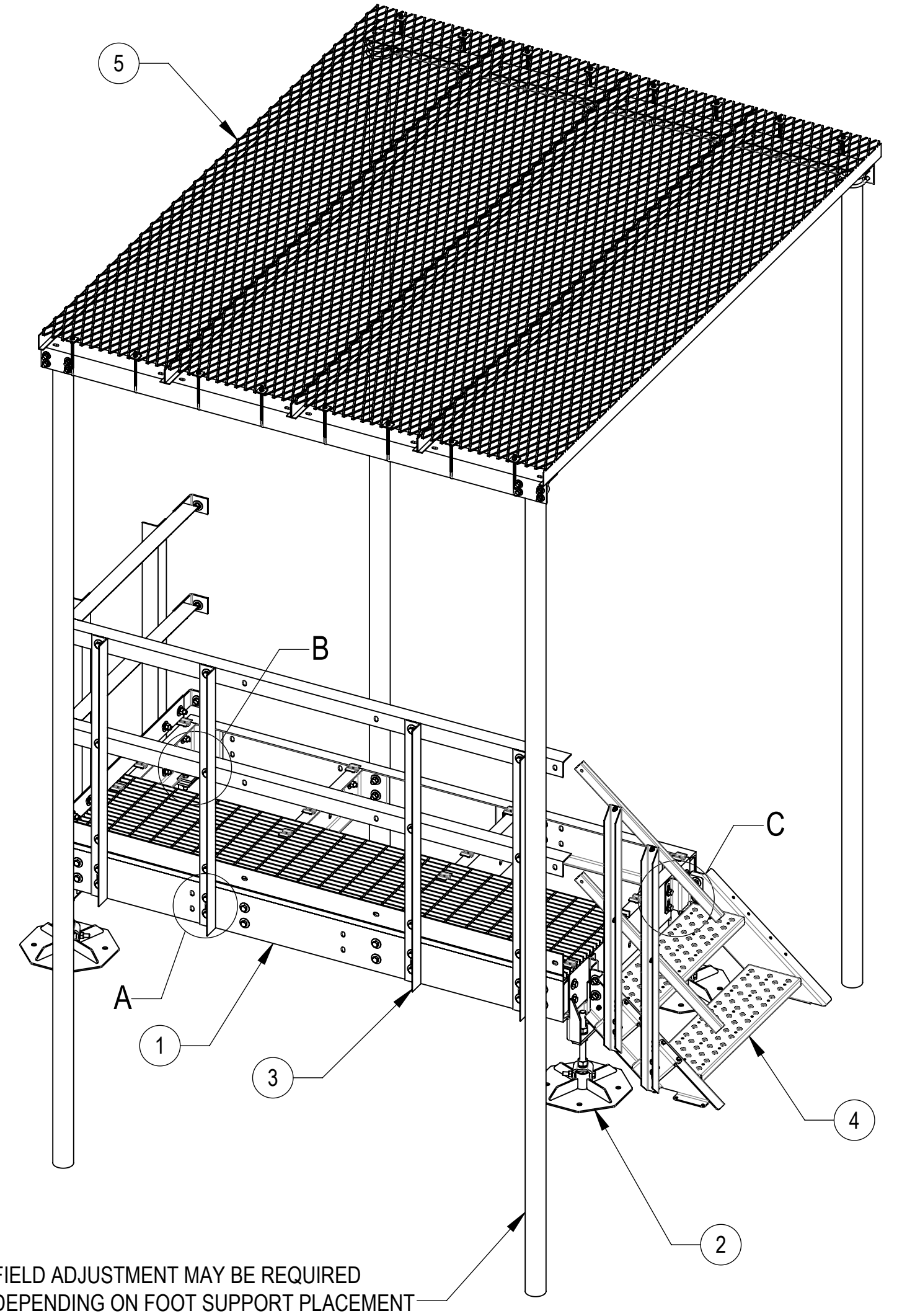
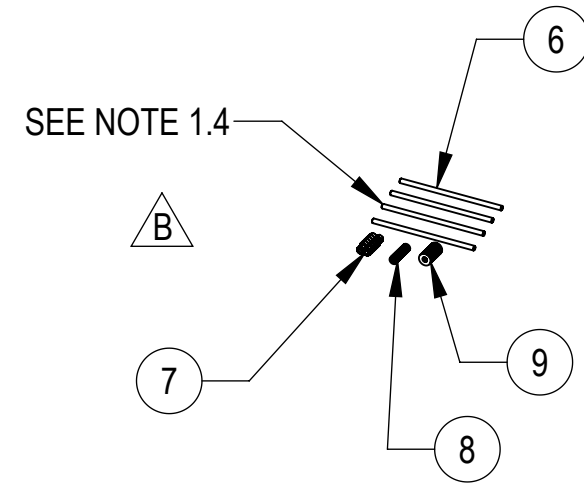
**DETAIL A**  
SCALE 1 : 4



**DETAIL C**  
SCALE 1 : 4



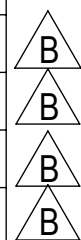
**DETAIL B**  
SCALE 1 : 4



**BILL OF MATERIALS - FOR REFERENCE**

COMPONENT PART NUMBERS PROVIDED FOR ASSEMBLY PURPOSES; CONTENT CONTROLLED BY SAP DATABASE  
INDIVIDUAL COMPONENTS MAY BE SHIPPED AS PARTS WITHIN AN INCLUDED KIT

ITEM NO.	PART NUMBER	DESCRIPTION	QTY.	WEIGHT	NOTE NO.
1	EQ-P0408-B	EQUIPMENT PLATFORM BASE KIT, 4' X 8'	1	648.03 LBS	
2	EQ-P-DF	EQUIPMENT PLATFORM DISPLACEMENT FOOT	4	37.77 LBS	
3	EQ-HR0408-2	HANDRAIL 2 SIDES, 4' X 8' EQPMT PLATFORM	1	247.43 LBS	
4	MTC4037ST2-SOB	2 STEP EQP PLATFORM STAIR, 1 HANDRAIL	1	117.43 LBS	
5	IC-0810-B	8' X 10' ICE CANOPY	1	548.12 LBS	
6	MT-379	1/2" X 12" GALV THREADED ROD	4	0.66 LBS	1.4
7	GN04HB20	BAG OF 20EA OF GN04	1	0.86 LBS	1.4
8	GWL04HB20	BAG OF 20EA GWL-04	1	0.27 LBS	1.4
9	GWF04HB20	BAG OF 20EA GWF-04	1	0.77 LBS	1.4



COMMSCOPE, INC. OF NORTH CAROLINA

TITLE  
**CUSTOM PLATFORM 4X8 W/ STEPS & HR**

SIZE <b>C</b>	SCALE <b>1:32</b>	DOCUMENT NO. <b>860677770-001</b>
DRAWING		SHEET
VERSION 01	STATUS RE	REVISION B
		2 OF 2