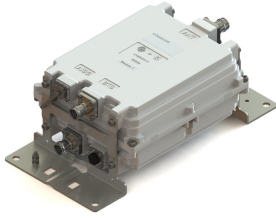


E14R00P05



Twin Tower Mounted Amplifier, Dual 2.6 GHz with AISG, with 4.3-10 connectors, rejection in 2700-3100MHz

- Firmware upgradeable to AISG 2.0

Product Classification

Product Type 1-BTS:1-ANT (Uniplex) | Tower mounted amplifier

General Specifications

Color Gray

Modularity 2-Twin

Mounting Pole | Wall

Mounting Pipe Hardware Band clamps (2)

RF Connector Interface 4.3-10 Female

RF Connector Interface Body Style Medium neck

Dimensions

Height 190 mm | 7.48 in

Width 197 mm | 7.756 in

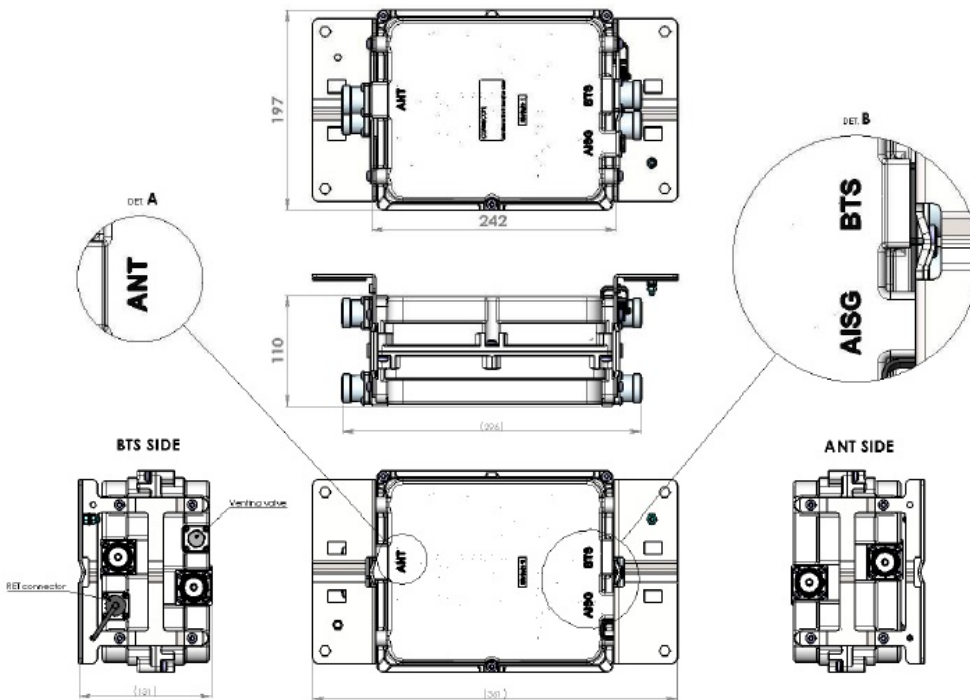
Depth 110 mm | 4.331 in

Ground Screw Diameter 5 mm | 0.197 in

Mounting Pipe Diameter Range 42.6–122 mm

Outline Drawing

E14R00P05



Electrical Specifications

License Band, LNA IMT 2600

Electrical Specifications, dc Power/Alarm

Lightning Surge Current 10 kA
Lightning Surge Current Waveform 8/20 waveform
Operating Current at Voltage 100 mA @ 12 Vdc
Operating Current Tolerance ± 15 mA
Voltage 7–30 Vdc
Voltage, CWA Mode 10–18 Vdc
Alarm Current, CWA Mode 170 mA

Electrical Specifications, AISG

AISG Connector 8-pin DIN Female
AISG Connector Standard IEC 60130-9
Default Protocol AISG 2.0
Protocol AISG 1.1 | AISG 2.0
Voltage, AISG Mode 10–30 Vdc

E14R00P05

Electrical Specifications

Sub-module	1 2
Branch	1
Port Designation	ANT
License Band	IMT 2600, LNA
Return Loss - Bypass Mode, typical, dB	14
TX Band Rejection, minimum, dB	80

Electrical Specifications Rx (Uplink)

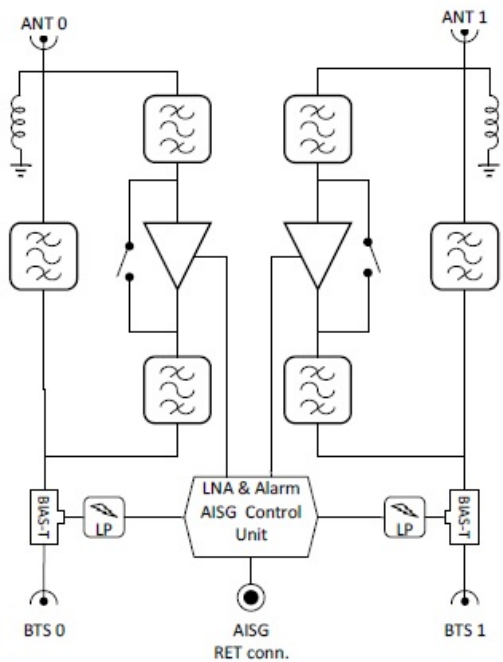
Frequency Range, MHz	2500–2570
Bandwidth, MHz	70
Gain, nominal, dB	12
Gain Tolerance, dB	±1
Noise Figure, typical, dB	1.6
Total Group Delay, maximum, ns	55
Output IP3, minimum, dBm	26
Return Loss, minimum, dB	18
Insertion Loss - Bypass Mode, typical, dB	3

Electrical Specifications Tx (Downlink)

Frequency Range, MHz	2620–2690
Bandwidth, MHz	70
Insertion Loss, maximum, dB	0.8
Insertion Loss Ripple, maximum, dB	0.2
Total Group Delay, maximum, ns	50
Return Loss, minimum, dB	18
RX Band Rejection, minimum, dB	60
Input Power, RMS, maximum, W	200
3rd Order PIM, maximum, dBc	-153
3rd Order PIM Test Method	Two +43 dBm carriers

E14R00P05

Block Diagram



Material Specifications

Finish Painted

Environmental Specifications

Operating Temperature -40 °C to +65 °C (-40 °F to +149 °F)

Relative Humidity Up to 100%

Corrosion Test Method IEC 60068-2-11, 30 days

Ingress Protection Test Method IEC 60529:2001, IP67

Packaging and Weights

Included Mounting hardware

Volume 5.2 L

Weight, net 7.3 kg | 16.094 lb

Regulatory Compliance/Certifications

Agency

ISO 9001:2015

Classification

Designed, manufactured and/or distributed under this quality management system



* Footnotes

License Band, LNA License Bands that have RxUplink amplification