

# HSR-ANCHOR-W-S

---



Stainless Steel Flat Washer

## Product Classification

**Product Type** Washer

## Dimensions

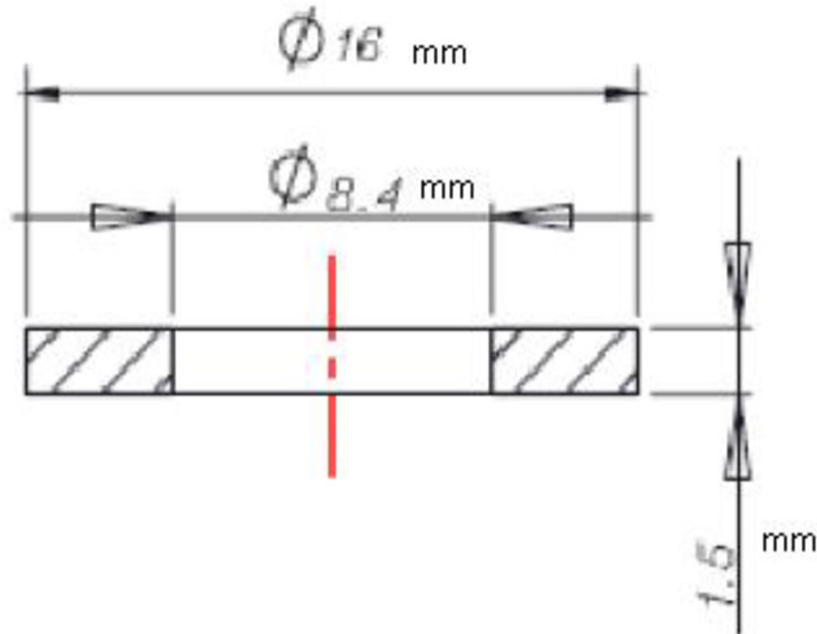
**Height** 1.524 mm | 0.06 in

**Width** 16.002 mm | 0.63 in

## Outline Drawing

# HSR-ANCHOR-W-S

---



## Material Specifications

**Material Type**          Stainless steel 304

## Packaging and Weights

**Packaging quantity**      1

**Weight, gross**            0 kg | 0 lb

## Regulatory Compliance/Certifications

Agency	Classification
ISO 9001:2015	Designed, manufactured and/or distributed under this quality management system