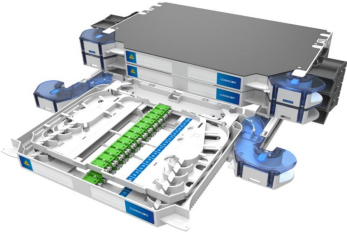


# FACT-PATCH-PANELS

---



## FACT® Fiber Optic Patch Panel

The building blocks of the FACT® optical distribution frame system are the FACT® chassis. FACT® chassis can be deployed individually as a single-element chassis, or up to six similar elements can be combined into high fiber-count FACT® chassis. The single-element FACT® chassis measures 30.95 mm (1.22 in.) tall, 30 percent less than the standard HU/1RU (44.45 mm/1.75 in.). Each FACT® element features two hinged trays, providing full front access to both sides of all connections and clear visibility of all ports. The FACT® patch-only chassis supports cross-connect and interconnect applications and is available with SC and LC adaptors. The FACT patch-only chassis accommodates 24 SC connections or 48 single LC connections per element. The FACT® patch chassis is available in 5 height versions:

- 1E
- 2E
- 3E
- 4E
- 5E
- 6E

## Product Classification

<b>Regional Availability</b>	Asia   Australia/New Zealand   EMEA   Latin America   North America
<b>Portfolio</b>	CommScope®
<b>Product Type</b>	Fiber patch panel
<b>Product Brand</b>	FACT®
<b>Product Series</b>	FACT

## General Specifications

<b>Functionality</b>	Patching   Splicing
<b>Application</b>	Compatible with FIST-GR3-style frames
<b>Body Style</b>	Symmetrical
<b>Color</b>	Gray
<b>Color, front</b>	Gray
<b>Interface, front</b>	LC/APC   LC/UPC   SC/APC   SC/UPC
<b>Rack Type</b>	EIA 19 in
<b>Shelf Movement</b>	Sliding

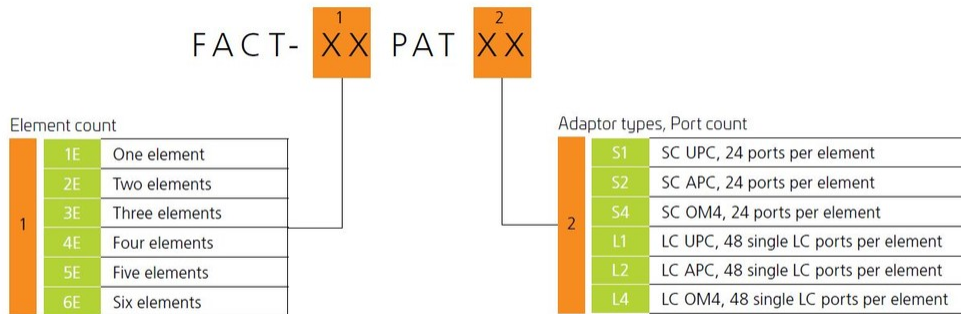
## Dimensions

<b>Width</b>	524 mm   20.63 in
--------------	-------------------

# FACT-PATCH-PANELS

**Depth** 283 mm | 11.142 in

## Ordering Tree



## Environmental Specifications

**Operating Temperature** -40 °C to +70 °C (-40 °F to +158 °F)

**Storage Temperature** -20 °C to +85 °C (-4 °F to +185 °F)

**Flammability Rating** UL 94 V-0

## Packaging and Weights

**Included** Mounting hardware