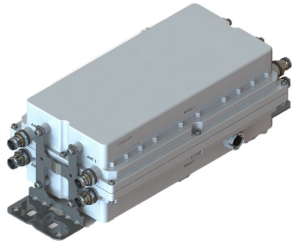


IMFQ-LMR-43 | E14V00P23



Quad IMF 700-750MHz Reject guard 757-758 MHz, DC Pass, 4.3-10 connectors

- Pass USA 700 & LMR 750 bands
- Reject any emission in LMR guard band 757-758 MHz
- DC/AISG passing capability from BTS port to ANT port
- New 4.3-10 connectors for improved PIM performance and size reduction

Product Classification

Product Type Interference mitigation filter

General Specifications

Color Gray

Modularity 4-Quad

Mounting Pipe Hardware Band clamps (2)

RF Connector Interface 4.3-10 Female

Dimensions

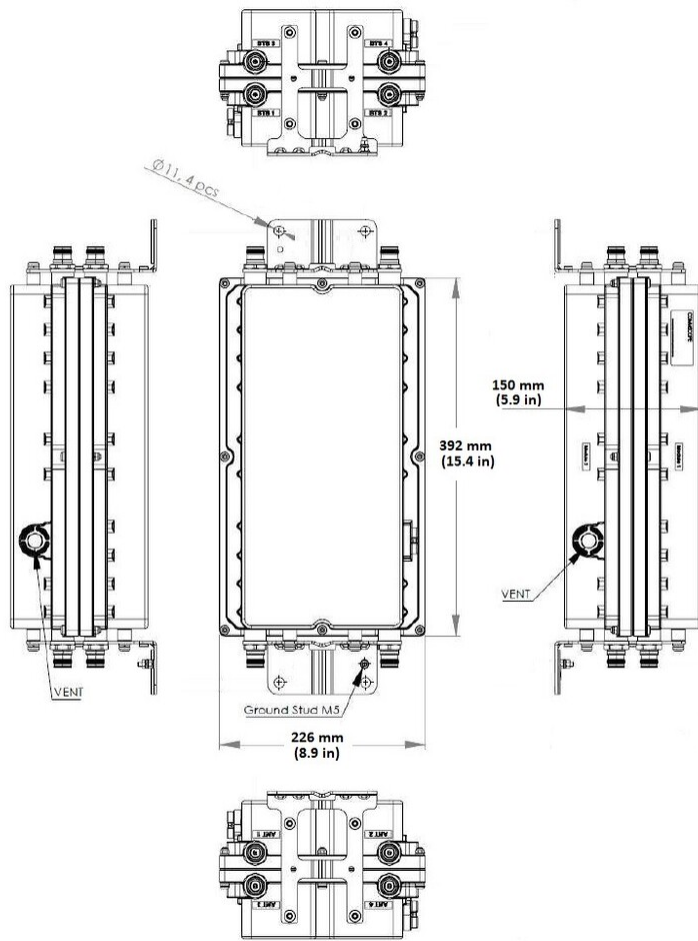
Height 392 mm | 15.433 in

Width 226 mm | 8.898 in

Depth 150 mm | 5.906 in

Outline Drawing

IMFQ-LMR-43 | E14V00P23



Electrical Specifications, dc Power/Alarm

| | |
|---|---------------|
| dc/AISG Pass-through Path | Branch 1 |
| Lightning Surge Current | 8 kA |
| Lightning Surge Current Waveform | 8/20 waveform |

Electrical Specifications

| | | |
|-------------------------|----------------------|----------------------|
| Sub-module | 1 2 3 4 | 1 2 3 4 |
| Branch | 1 | 1 |
| Port Designation | Band 12 | Band 14 |
| License Band | USA 700, Band Pass | USA 750, Band Pass |

Electrical Specifications, Band Pass

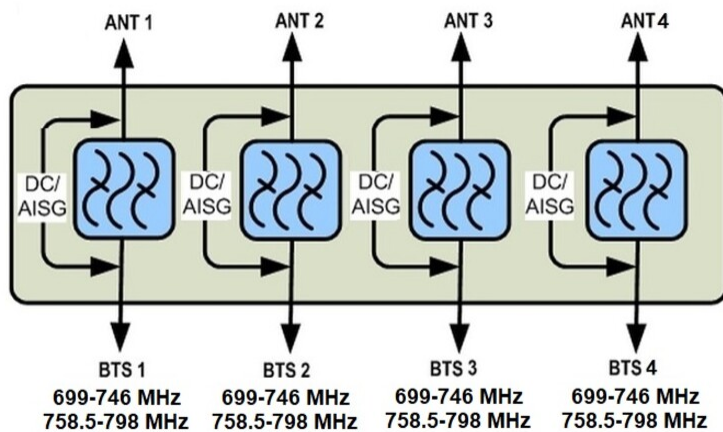
IMFQ-LMR-43 | E14V00P23

| | | |
|---------------------------------------|----------------|------------------|
| Frequency Range, MHz | 699–746 | 758.5–798 |
| Insertion Loss, maximum, dB | 0.3 | 2.8 |
| Insertion Loss, typical, dB | 0.15 | 0.25 |
| Total Group Delay, maximum, ns | 10 | 600 |
| Return Loss, minimum, dB | 18 | 18 |
| Input Power, RMS, maximum, W | 160 | |
| Input Power, PEP, maximum, W | 1600 | |
| 3rd Order PIM, maximum, dBc | -161 | |

Electrical Specifications, Band Reject

| | |
|---------------------------------|----------------|
| Frequency Range, MHz | 757–758 |
| Attenuation, minimum, dB | 30 |

Block Diagram



Environmental Specifications

| | |
|---------------------------------------|--------------------------------------|
| Operating Temperature | -40 °C to +65 °C (-40 °F to +149 °F) |
| Relative Humidity | Up to 100% |
| Ingress Protection Test Method | IEC 60529:2001, IP67 |

Packaging and Weights

| | |
|--|---------------------|
| Included | Mounting hardware |
| Mounting Hardware Weight | 0.9 kg 1.984 lb |
| Weight, without mounting hardware | 10.4 kg 22.928 lb |

