

DM-CAPKIT

7-16 DIN Male End Cap Assembly

Product Classification

Product Type	Surge arrester accessory
Ordering Note	CommScope® non-standard product

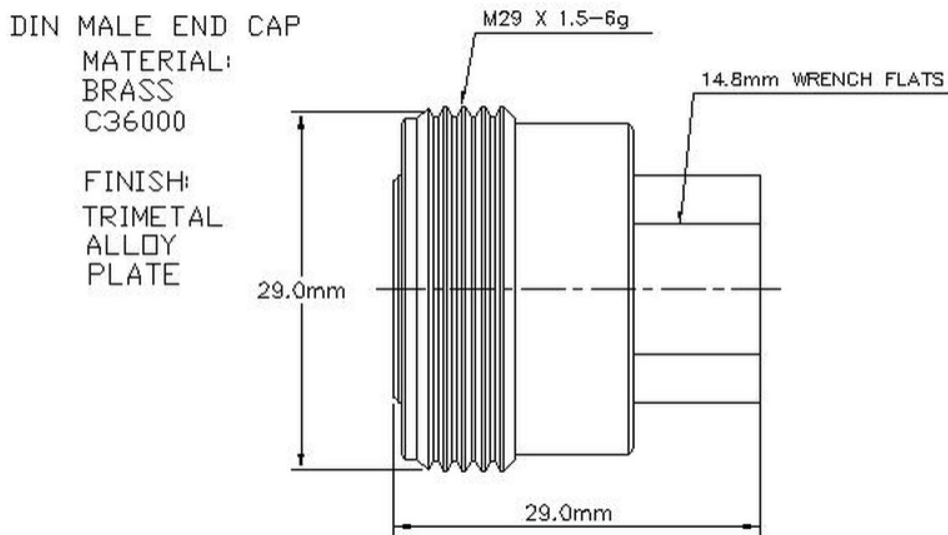
General Specifications

Interface	7-16 DIN Male
------------------	---------------

Dimensions

Height	92.01 mm 3.622 in
Width	111.13 mm 4.375 in
Length	190.5 mm 7.5 in

Outline Drawing



Mechanical Specifications

Mechanical Shock Test Method	IEC 60068-2-27
-------------------------------------	----------------

Environmental Specifications

DM-CAPKIT

Operating Temperature	-55 °C to +85 °C (-67 °F to +185 °F)
Storage Temperature	-65 °C to +125 °C (-85 °F to +257 °F)
Corrosion Test Method	IEC 60068-2-11
Immersion Depth	1 m
Immersion Test Mating	Mated
Immersion Test Method	IEC 60529:2001, IP68
Moisture Resistance Test Method	IEC 60068-2-3
Thermal Shock Test Method	IEC 60068-2-14
Vibration Test Method	IEC 60068-2-6

Packaging and Weights

Packaging quantity	1
Weight, net	81 g 0.179 lb

Regulatory Compliance/Certifications

Agency	Classification
ISO 9001:2015	Designed, manufactured and/or distributed under this quality management system



* Footnotes

Immersion Depth	Immersion at specified depth for 24 hours
------------------------	---