



## Rapid Fiber Panel Series

### Fiber Termination Panel with NG4access Cabled Modules

---

The Rapid Fiber panel is revolutionary innovation in the fiber optic panel market. Serving as a key distribution point between the electronic equipment and the main optical distribution frame, the Rapid Fiber panel with cabled modules combines the functions of a fiber panel, tie or trunk cable assembly, and optical distribution frame module. The Rapid Fiber panel provides unmatched value by improving installation time, labor costs and performance.

Rapid Fiber panel leverages the RapidReel fiber cable spool to deploy dual 12-fiber microcable. The spool stores any excess cable, which means the cable is always the right length — the first time, every time. Available in 100' increments (up to 1000'), the microcable terminates to a unique cabled module on the far end. The sleek, low-profile cabled module with integrated connectors and adapters ensure the cables remain in sequential order, and prevent accidental fiber breakage or disruption to adjacent fiber during installation. Cabled modules promote easy handling and cable routing. They install in the NG4access frame easily — just snap them into place. This saves a substantial amount of time that the installer would otherwise spend handling, routing, and connecting large numbers of single-fiber connectors from a cable assembly breakout.

Cabled modules and microcable technology promote fast cable installation and easy handling by technicians, and offer maximum space savings for high-density fiber applications.

The Rapid Fiber panel's microcable, fiber cable spool and cabled module technologies relieve cable congestion and simplify the ordering and inventory of equipment. The panel also features CommScope's industry-leading cable management— providing bend radius protection, intuitive cable routing paths and excellent physical protection for optimal network performance.

# Rapid Fiber Panel Series

## Fiber Termination Panel with NG4access Cabled Modules

### Specifications

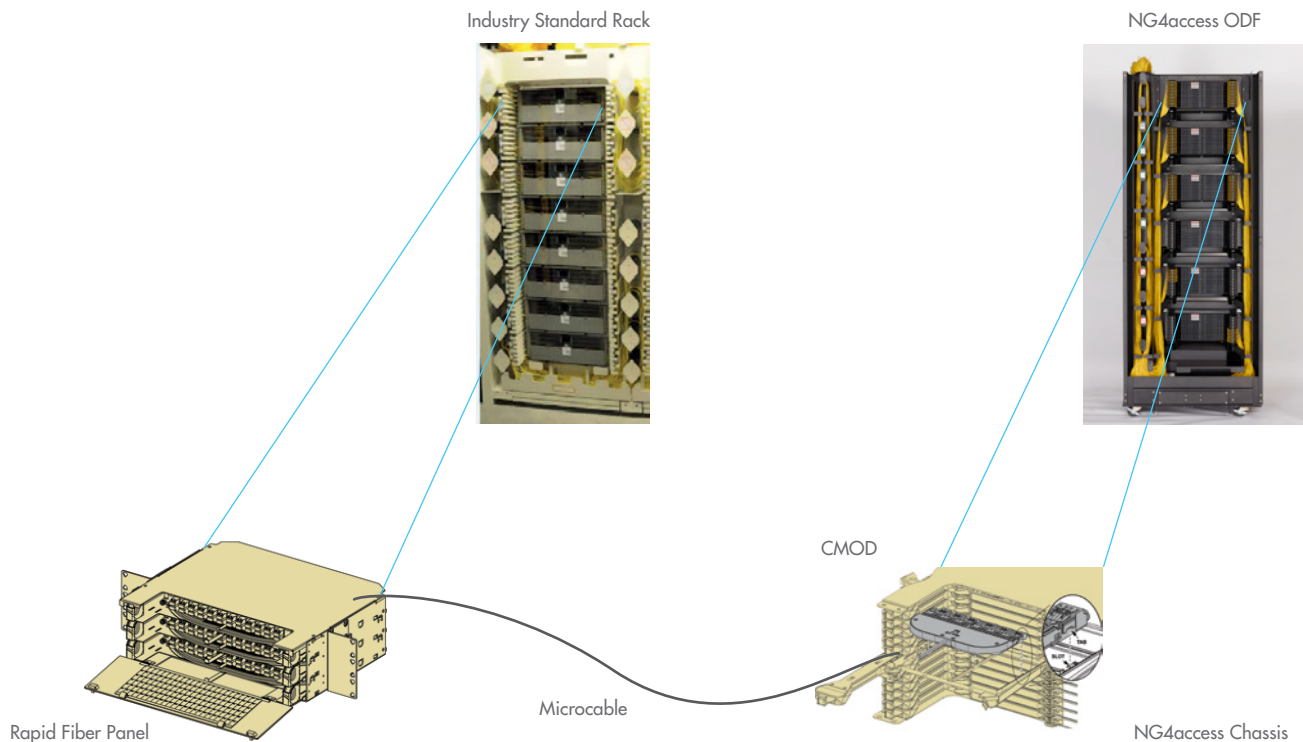
	1 RU (5.25")	3 RU (5.25")	4 RU (7")
Mounting width:	19-inch or 23-inch, EIA or WEKO		
Recess options:	2, 4 or 5 inches (5.08, 10.16 or 12.7 cm)		
Spool assemblies per panel:	1	3	6
Connector types available on panel:	LC/UPC, SC/UPC, LC/APC, SC/APC* SC multimode, LC multimode		
Ports per spool assembly:	24 SC, 48 LC		
Panel port capacity:	24 SC, 48 LC	72 SC, 144 LC	144 SC, 144 LC
Payout cable connector types:	1 or 2 single mode or multimode 24-fiber LC cabled module	3 or 6 single or multimode mode 24-fiber LC cabled module	6 single mode or multimode 24-fiber LC cabled module
Compliance:	UL 1863, NEBS Level 3, GR 1435, GR 326 and GR 409		

\* Additional connector types available.

Contact CommScope's Technical Assistance Center for more information.

### Tie Panel Application

The Rapid Fiber panel may be used as to connect from an equipment area to an optical distribution frame (ODF), or as a tie panel to connect two different ODF areas. The Rapid Fiber panel installs into any standard rack. The installer then pays out the cabled module from the internal RapidReel cable spool, and at the far end loads that cabled module into the NG4access chassis.



# Rapid Fiber Panel Series

## Fiber Termination Panel with NG4access Cabled Modules

### Benefits

- **Cost Savings:** RapidReel cable spools reduce upfront deployment costs by simplifying site survey inspections and streamlining cable deployment. Cabled modules greatly shorten installation time compared to cable assemblies with single-fiber breakouts.
- **Speed of Deployment:** Pre-connectorized, plug-and-play cabled modules eliminate splice labor requirements and speeds network construction.
- **Access:** Technician-friendly, front-facing interface ensures trouble-free maintenance and fast service turn-ups.
- **Simplified Ordering:** All-in-one panel, microcable and slack storage solution simplifies ordering and stocking requirements.
- **Space Savings – Rack Density:** Compact cabled modules and multifiber microcable are ideal for high density intrafacility applications. Excess cable remains on the internal RapidReel – no additional enclosures are required for slack storage.
- **Space Savings – Overhead:** Each Rapid Fiber panel cable is the equivalent of 24 fiber jumpers – resulting in 70% space savings within FiberGuide cable management compared to 1.7 mm jumpers, and 85% space savings compared to 2mm jumpers.
- **Performance:** Offers superior cable management with highly reliable connectors for uninterrupted network operation and high quality of service.

The Rapid Fiber panel incorporates the latest panel, cable and connector technology – and can help drive down total cost of installation by as much as 25%.

### Key Features

#### Panel

- RapidReel fiber cable spools ensure IFC cable is always the right length; available in 100' increments (up to 1000')
- Mounting brackets allow 19" or 23" rack installation
- Meets UL 1863 and NEBS Level 3 requirements for central office applications
- Seamlessly integrates with CommScope's NG4access optical distribution frame (ODF)

#### Cable Types

- Dual 12-fiber 3.0 mm plenum rated cable
- GR 409 compliant, robust microcable design to fit a variety of applications and environments
- Reduced bend radius fiber technology provides cable protection and reduces concerns around proper handling, slack storage, and attenuation loss from tight bends

#### Connectors

- 24-fiber cable terminated to an LC cabled module
- Low LC/UPC connector insertion loss and high return loss minimize impact on link loss budget
- Optical connectors designed and tested to GR 326 and GR 1435



RapidReel Cable Spools Speed Installation Requirements and Lowers Deployment Costs



Dual 12-Fiber 3.0 mm Microcables Compared with 24-Fiber Breakout Cable



LC Pigtail Cabled Module Installed in the NG4access Chassis



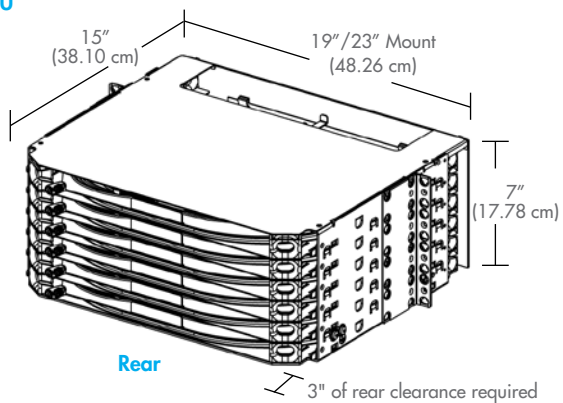
Panel shown with Pulling Sock Over Cabled Module Assembly

# Rapid Fiber Panel Series

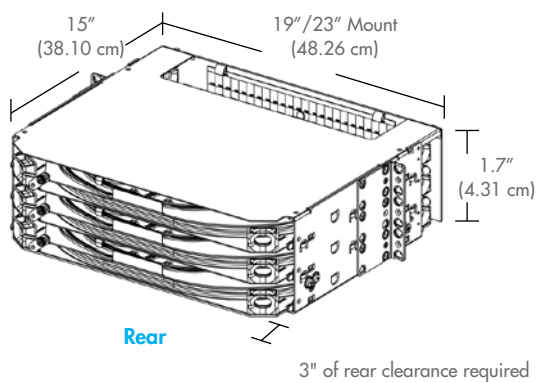
Fiber Termination Panel with NG4access Cabled Modules

## Rapid Fiber Dimensions

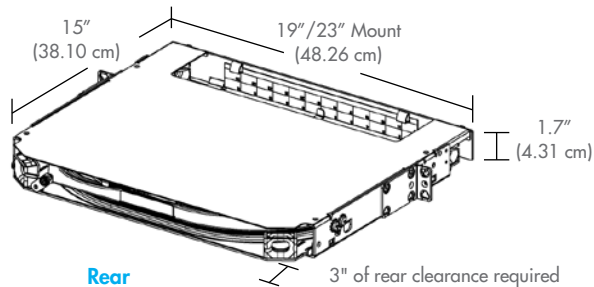
**4 RU**



**3 RU**



**1 RU**



## Rapid Fiber Panel Series

### Fiber Termination Panel with NG4access Cabled Modules

## Ordering Information Single mode (PUTTY)

Description	Connector Type	Cable Length	Part Number
<b>144-Position 4 RU (7.0") Panel; 19 or 23-inch, EIA or WECO; Putty Color</b>			
SC Panel with LC cabled module on far end; Chassis contains 6 spools			
Loaded with dual 12-fiber 3.0 mm plenum-rated single mode reduced bend radius cable	SC UPC to 24-fiber	31 m (100')	RCP-C47APUK03100
		61 m (200')	RCP-C47APUK06100
	LC cabled module	92 m (300')	RCP-C47APUK09200
		122 m (400')	RCP-C47APUK12200
<b>144-Position 3 RU (5.25") Panel; 19 or 23-inch, EIA or WECO; Putty Color</b>			
LC Panel with LC cabled module on far end; Chassis contains 3 spools			
Loaded with dual 12-fiber 3.0 mm plenum-rated single mode reduced bend radius cable	LC UPC to 24-fiber	31 m (100')	RCP-C3KAPUK03100
		61 m (200')	RCP-C3KAPUK06100
	LC cabled module	92 m (300')	RCP-C3KAPUK09200
		122 m (400')	RCP-C3KAPUK12200
<b>72-Position 3 RU (5.25") Panel; 19 or 23-inch, EIA or WECO; Putty Color</b>			
SC Panel with LC cabled module on far end; Chassis contains 3 spools			
Loaded with dual 12-fiber 3.0 mm plenum-rated single mode reduced bend radius cable	SC UPC to 24-fiber	31 m (100')	RCP-C377PUK03100
		61 m (200')	RCP-C377PUK06100
	LC cabled module	92 m (300')	RCP-C377PUK09200
		122 m (400')	RCP-C377PUK12200
<b>72-Position 3 RU (5.25") Panel; 19 or 23-inch, EIA or WECO; Putty Color</b>			
LC Panel with LC cabled module on far end; Chassis contains 3 spools			
Loaded with dual 12-fiber 3.0 mm plenum-rated single mode reduced bend radius cable	LC UPC to 24-fiber	31 m (100')	RCP-C3K7PUK03100
		61 m (200')	RCP-C3K7PUK06100
	LC cabled module	92 m (300')	RCP-C3K7PUK09200
		122 m (400')	RCP-C3K7PUK12200
<b>48-Position 1 RU (1.75") Panel; 19 or 23-inch, EIA or WECO; Putty Color</b>			
LC Panel with LC cabled module on far end; Chassis contains 1 spool			
Loaded with dual 12-fiber 3.0 mm plenum-rated single mode reduced bend radius cable	LC UPC to 24-fiber	31 m (100')	RCP-C1K4PUK03100
		61 m (200')	RCP-C1K4PUK06100
	LC cabled module	92 m (300')	RCP-C1K4PUK09200
		122 m (400')	RCP-C1K4PUK12200
<b>24-Position 1 RU (1.75") Panel; 19 or 23-inch, EIA or WECO; Putty Color</b>			
SC Panel with LC cabled module on far end; Chassis contains 1 spool			
Loaded with dual 12-fiber 3.0 mm plenum-rated single mode reduced bend radius cable	SC UPC to 24-fiber	31 m (100')	RCP-C172PUK03100
		61 m (200')	RCP-C172PUK06100
	LC cabled module	92 m (300')	RCP-C172PUK09200
		122 m (400')	RCP-C172PUK12200
<b>24-Position 1 RU (1.75") Panel; 19 or 23-inch, EIA or WECO; Putty Color</b>			
LC Panel with LC cabled module on far end; Chassis contains 1 spool			
Loaded with dual 12-fiber 3.0 mm plenum-rated single mode reduced bend radius cable	LC UPC to 24-fiber	31 m (100')	RCP-C1K2PUK03100
		61 m (200')	RCP-C1K2PUK06100
	LC cabled module	92 m (300')	RCP-C1K2PUK09200
		122 m (400')	RCP-C1K2PUK12200

Note: Cable lengths are available up to 1000'. Contact CommScope for assistance.  
Additional connector types available. Contact CommScope for assistance.

## Rapid Fiber Panel Series

### Fiber Termination Panel with NG4access Cabled Modules

## Ordering Information Multimode (black)

Description	Connector Type	Cable Length	Part Number
<b>144-Position 4 RU (7.0") Panel; 19 or 23-inch, EIA or WECCO; Black Color</b>			
SC Panel with LC cabled module on far end; Chassis contains 6 spools			
Loaded with dual 12-fiber 3.0 mm plenum-rated multimode reduced bend radius cable	SC multimode to 24-fiber LC cabled module	31 m (100')	RCPB-C4TAPUC03100
		61 m (200')	RCPB-C4TAPUC06100
		92 m (300')	RCPB-C4TAPUC09200
		122 m (400')	RCPB-C4TAPUC12200
<b>144-Position 3 RU (5.25") Panel; 19 or 23-inch, EIA or WECCO; Black Color</b>			
LC Panel with LC cabled module on far end; Chassis contains 3 spools			
Loaded with dual 12-fiber 3.0 mm plenum-rated multimode reduced bend radius cable	LC multimode to 24-fiber LC cabled module	31 m (100')	RCPB-C3CAPUC03100
		61 m (200')	RCPB-C3CAPUC06100
		92 m (300')	RCPB-C3CAPUC09200
		122 m (400')	RCPB-C3CAPUC12200
<b>72-Position 3 RU (5.25") Panel; 19 or 23-inch, EIA or WECCO; Black Color</b>			
SC Panel with LC cabled module on far end; Chassis contains 3 spools			
Loaded with dual 12-fiber 3.0 mm plenum-rated multimode reduced bend radius cable	SC multimode to 24-fiber LC cabled module	31 m (100')	RCPB-C3T7PUC03100
		61 m (200')	RCPB-C3T7PUC06100
		92 m (300')	RCPB-C3T7PUC09200
		122 m (400')	RCPB-C3T7PUC12200
<b>72-Position 3 RU (5.25") Panel; 19 or 23-inch, EIA or WECCO; Black Color</b>			
LC Panel with LC cabled module on far end; Chassis contains 3 spools			
Loaded with dual 12-fiber 3.0 mm plenum-rated multimode reduced bend radius cable	LC multimode to 24-fiber LC cabled module	31 m (100')	RCPB-C3C7PUC03100
		61 m (200')	RCPB-C3C7PUC06100
		92 m (300')	RCPB-C3C7PUC09200
		122 m (400')	RCPB-C3C7PUC12200
<b>48-Position 1 RU (1.75") Panel; 19 or 23-inch, EIA or WECCO; Black Color</b>			
LC Panel with LC cabled module on far end; Chassis contains 1 spool			
Loaded with dual 12-fiber 3.0 mm plenum-rated multimode reduced bend radius cable	LC multimode to 24-fiber LC cabled module	31 m (100')	RCPB-C1C4PUC03100
		61 m (200')	RCPB-C1C4PUC06100
		92 m (300')	RCPB-C1C4PUC09200
		122 m (400')	RCPB-C1C4PUC12200
<b>24-Position 1 RU (1.75") Panel; 19 or 23-inch, EIA or WECCO; Black Color</b>			
SC Panel with LC cabled module on far end; Chassis contains 1 spool			
Loaded with dual 12-fiber 3.0 mm plenum-rated multimode reduced bend radius cable	SC multimode to 24-fiber LC cabled module	31 m (100')	RCPB-C1T2PUC03100
		61 m (200')	RCPB-C1T2PUC06100
		92 m (300')	RCPB-C1T2PUC09200
		122 m (400')	RCPB-C1T2PUC12200
<b>24-Position 1 RU (1.75") Panel; 19 or 23-inch, EIA or WECCO; Black Color</b>			
LC Panel with LC cabled module on far end; Chassis contains 1 spool			
Loaded with dual 12-fiber 3.0 mm plenum-rated multimode reduced bend radius cable	LC multimode to 24-fiber LC cabled module	31 m (100')	RCPB-C1C2PUC03100
		61 m (200')	RCPB-C1C2PUC06100
		92 m (300')	RCPB-C1C2PUC09200
		122 m (400')	RCPB-C1C2PUC12200

Note: Cable lengths are available up to 1000'. Contact CommScope for assistance.  
Additional connector types available. Contact CommScope for assistance.

## Rapid Fiber Panel Series

Fiber Termination Panel with NG4access Cabled Modules

---



---

[www.commscope.com](http://www.commscope.com)

Visit our website or contact your local CommScope representative for more information.

© 2015 CommScope, Inc. All rights reserved.

Rapid Fiber, RapidReel, and all trademarks identified by ® or ™ are registered trademarks or trademarks, respectively, of CommScope, Inc. This document is for planning purposes only and is not intended to modify or supplement any specifications or warranties relating to CommScope products or services.

PS-317810.4-AE (11/15)