

## Ultra-Density Sliding Fiber Shelf

### General

The CommScope UD-2U and UD-4U ultra-density sliding fiber optic shelves come equipped with modular pair trays, fiber management trough and steel top cover. Shelf will accommodate G2 and **360 InstaPATCH®** distribution modules. These shelves are intended for indoor use, but may be used outdoors in a suitable enclosure.

Ordering information is listed below:

| Material ID | Part No. | Description                                       |
|-------------|----------|---|
| 760227306   | UD-2U    | Modular UD-2U shelf, sliding with door and trough |
| 760227314   | UD-4U    | Modular UD-4U shelf, sliding with door and trough |



UD-2U



UD-4U

### Ultra-Density Sliding Fiber Shelves

### How to Contact Us

- To find out more about **CommScope®** products, visit us on the web at <http://www.commscope.com>
- For technical assistance, use our online interface to filter by problem and location: <http://www.commscope.com/SupportCenter>
- To report any missing/damaged parts: within the United States, contact **CommScope** Customer Claims at 1-866-539-2795 or email to [claims@commscope.com](mailto:claims@commscope.com); outside the United States, contact your local account representative or **PartnerPRO** Network Partner.

### Tools Required

- Phillips-head screwdriver



## Available G2 and 360 InstaPATCH® Modules and Accessories (For Use with Modular Shelf)

Contact your CommScope sales representative for the latest information on the wide variety of modules and accessories that are compatible with this product, or visit the **CommScope** website <http://www.commscope.com>.

### Parts List

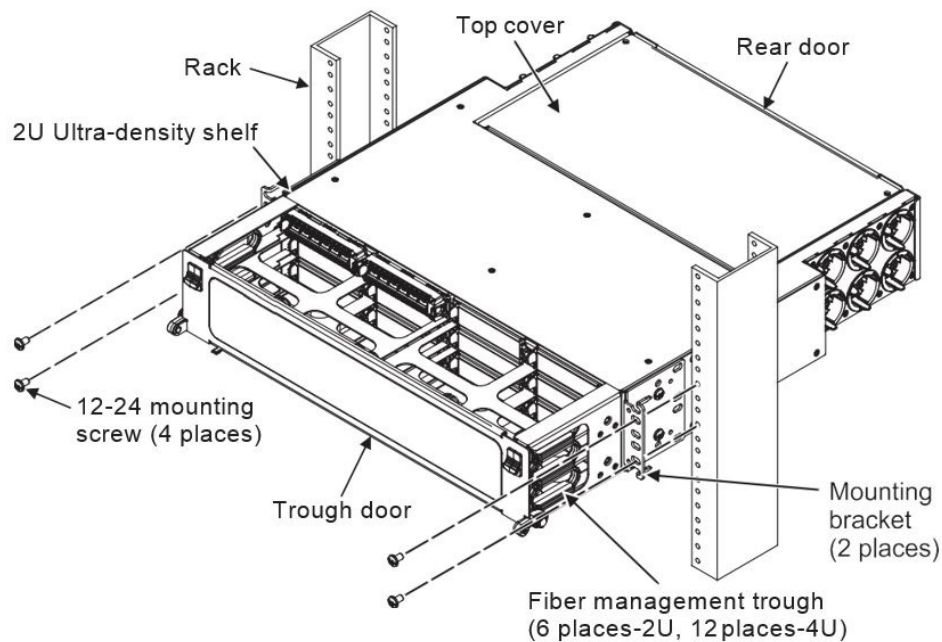
Verify parts against the parts list below:

| Quantity | Description                                  |
|----------|--|
| 1        | Shelf assembly                               |
| 1        | Hook-and-loop strip cable retainer kit       |
| 4        | #12-24 x 1/2-inch screws for 19-inch (483mm) |
| 4        | M6 x 12mm screws for ETSI rack mounting      |
| 1        | Instruction sheet                            |

### ▲ Important Safety Cautions

- Disconnected optical components may emit invisible optical radiation that can damage your eyes. Never look directly into an optical component that may have a laser coupled to it. Serious and permanent retinal damage is possible. If accidental exposure to laser radiation is suspected, consult a physician for an eye examination.
- Wearing safety glasses during installation of this shelf is recommended. Although standard safety glasses provide no protection from potential optical radiation, they protect from accidental airborne hardware & cleaning solvents.

### Step 1 – Mount Shelf to Rack

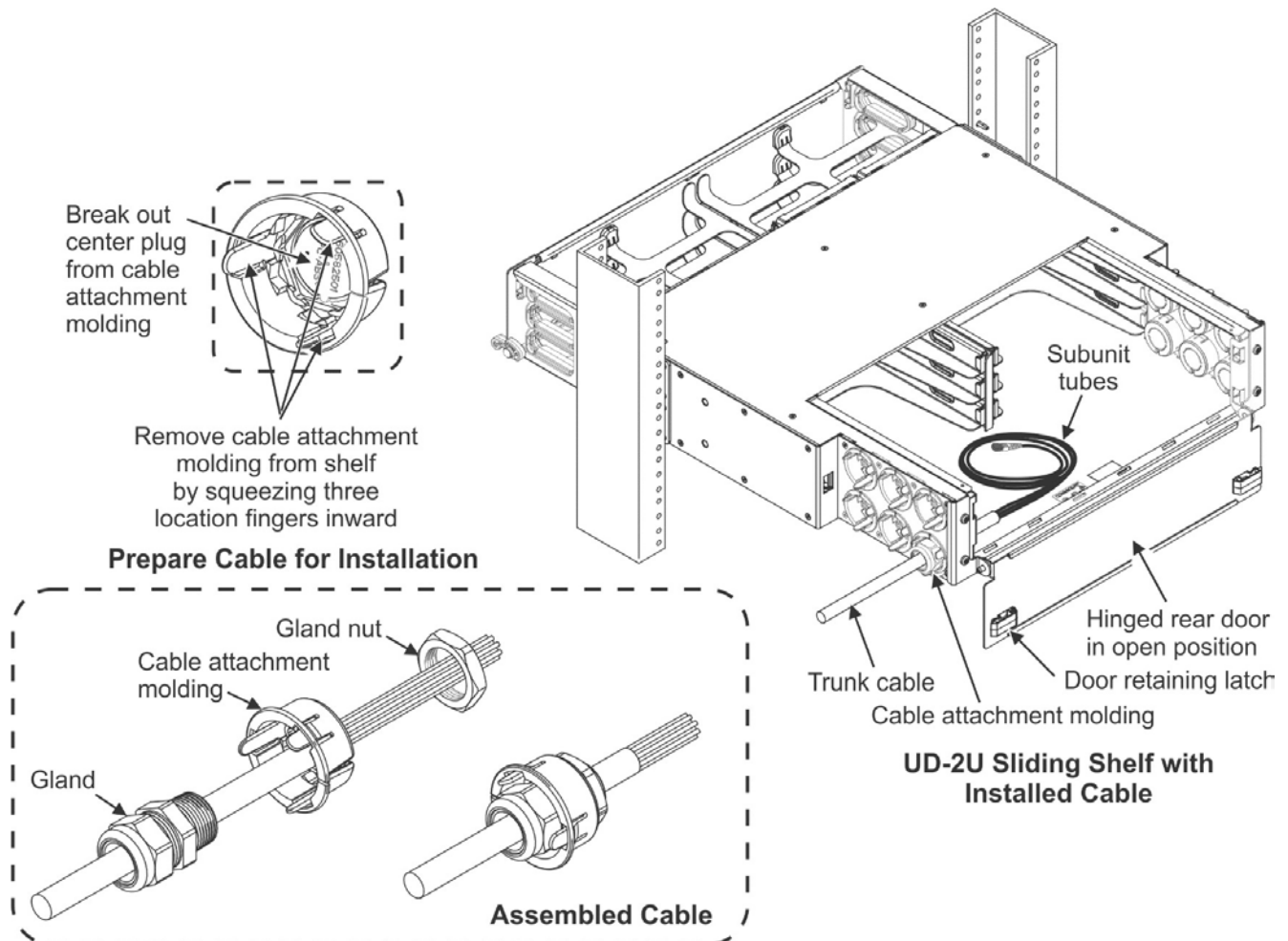


Determine mounting location.

- First remove the shipping bracket, assembled in the mounting bracket.
- For 19-inch (483mm) rack – Mount shelf to rack using the pre-installed mounting brackets and four #12-24 x 1/2-inch screws (provided) as shown.

## Step 2 – Secure Fiber Cable to Shelf

**Note:** This shelf is designed for direct connection of fiber cables using cable glands inserted into cable attachment moldings provided. Another method for securing fiber cables is the use of optional rack mounted brackets, which is not covered here. See instruction sheet 860380781 for using rack mounted brackets.



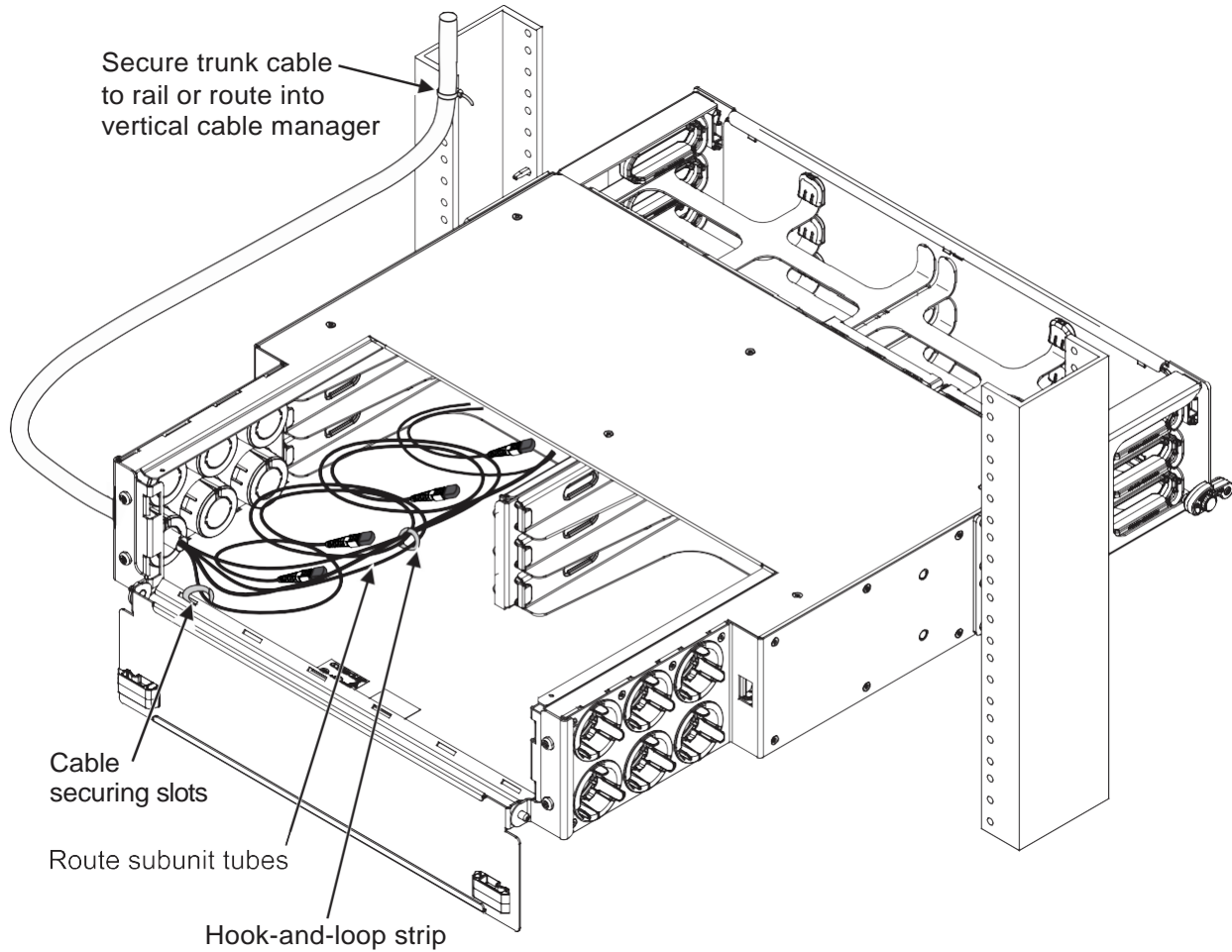
### Cable Assembly

1. Open rear door.
2. Slide top cover back to remove cover for access to cable routing.
3. Remove cable attachment molding from shelf as shown.

**Note:** Number of moldings is specific to shelf U size. 2U shelf holds twelve cable attachment moldings and 4U shelf has twenty-four cable attachment moldings.

4. Remove gland nut from cable gland.
5. Slide cable attachment molding onto cable and secure threaded gland nut to hold molding in place as shown.
6. Install assembled cable onto shelf as shown. Snap cable attachment molding back in shelf wall opening.

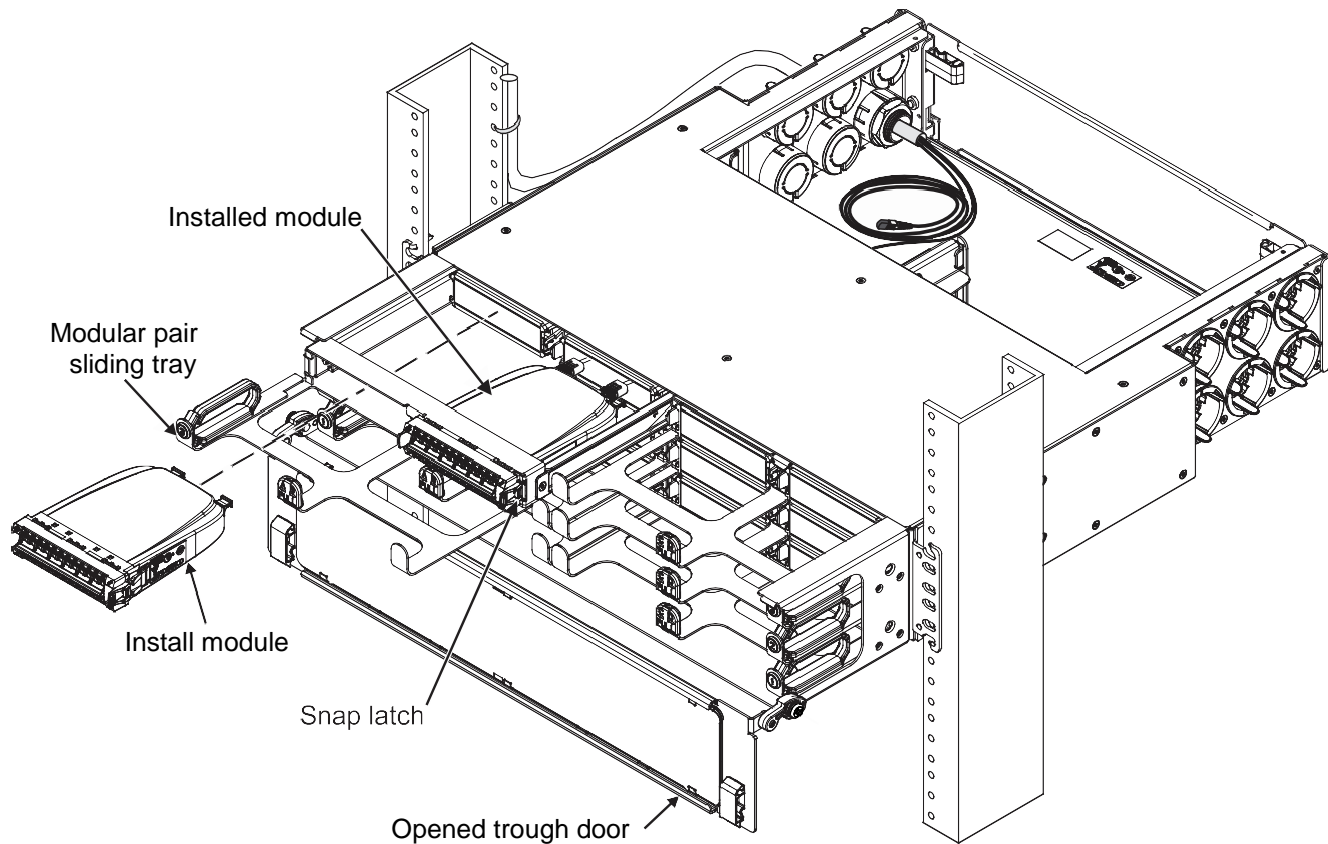
### Step 3 – Route and Secure Trunk Cable



1. Feed cable assembly through cable attachment opening on side of shelf from outside of shelf side wall. Molding snaps into place and secures trunk cable to shelf, as shown on previous page.
2. Loosely secure trunk cable to equipment rack upright approximately 3 inches (76mm) above or below shelf, using cable ties. Leave approximately 48-inch (2.1m) length of cable to route into shelf.
3. Fiber cables may enter from right side or left side of shelf.
4. Route subunit cables inside shelf as shown or according to local practices. Secure loose fibers together using supplied hook-and-loop strip.

**Caution:** Do not exceed minimum bend radius of fiber. Do not attach fiber bundles to floor of chassis.

5. Fiber cable may be loosely secured to shelf using slots provided along rear of shelf with additional hook-and-loop strips.

**Step 4 – Terminate Fiber Cable Inside Shelf – 360 InstaPATCH®**

1. CommScope UD fiber shelves have two modular pair trays per row. Modular pair trays slide to the front of the shelf separately as shown.

**Note:** Trays slide until reaching stop to prevent them from sliding out. Do not continue to pull tray past stop.

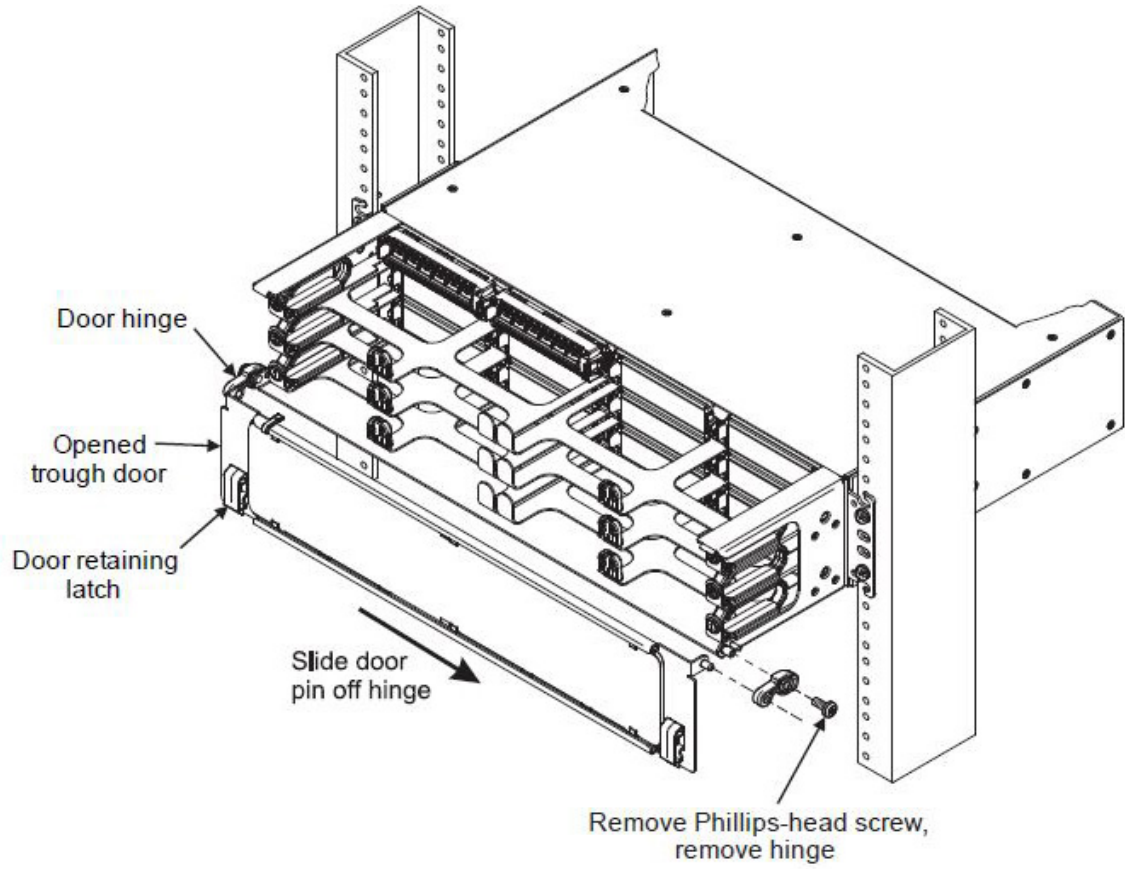
2. Mount trunk cable to shelf with cable gland, as detailed in Step 3.
3. Install **360 InstaPATCH** modules in modular pair trays. Verify that latches on each side of the module snap into tray opening with an audible click.

**Note:** Remove module with a small flat blade screwdriver used to depress inner-most latch for release from modular pair tray position.

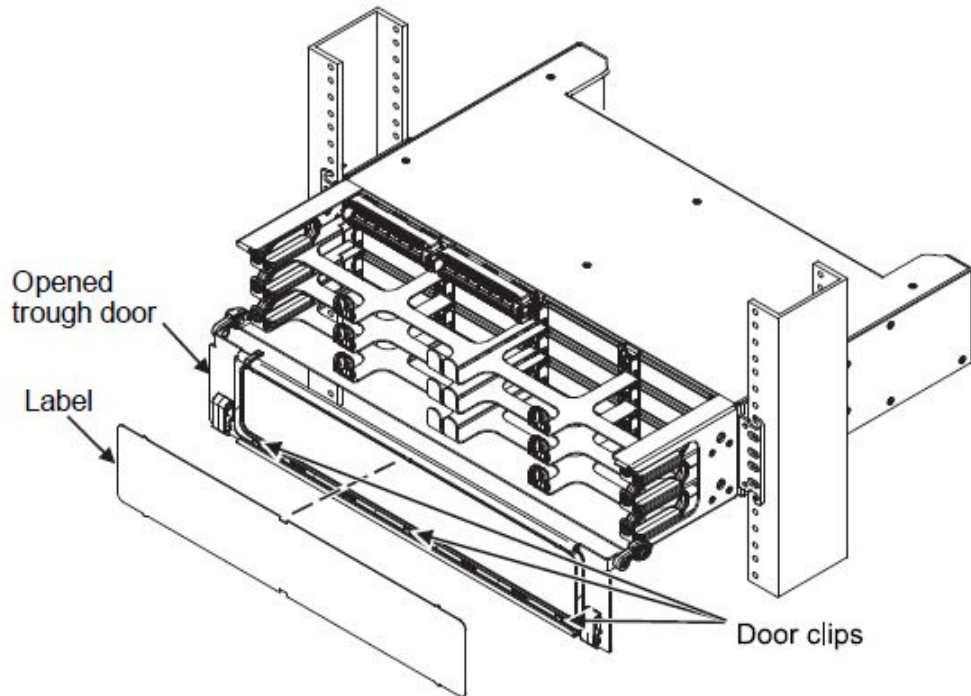
4. Pull subunit cables with MPO connectors through openings in front of shelf and terminate connectors to module.

**Step 5 – Remove Trough Door**

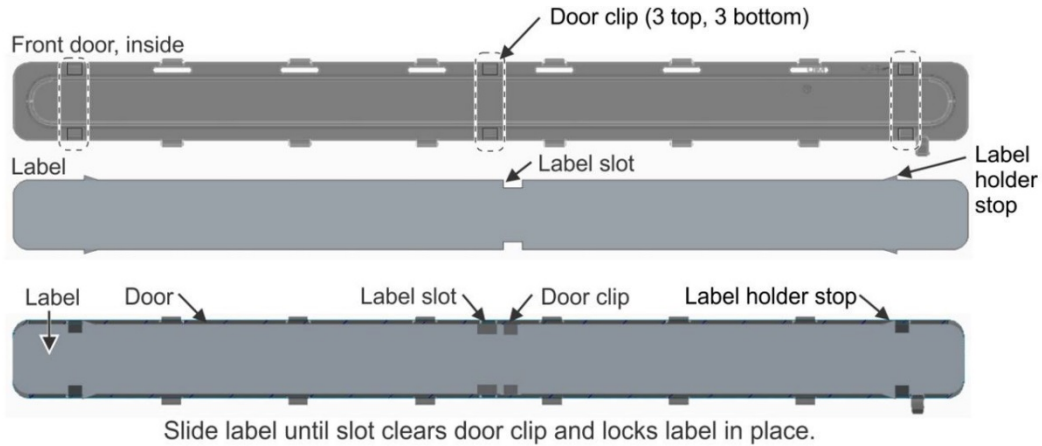
1. Pull down on both door retaining latches and pull door forward to open trough door.
2. Open door 180° as shown on next page.
3. Remove one hinge from either side of door as shown on the next page, then slide door off opposite side hinge.
4. To re-install door, place door in open position at 180°. Slide door pin on hinge, re-install hinge to pins on trough and secure with screw.



### Step 6 – Install Label on Trough Door



1. The door may be fitted with labels visible through the door window when closed or may be visible when the door is open.
2. Open door to 180°.
3. Slide label onto door under clips on door, three on the top and three on bottom of door.
4. Slide label to left or right to secure (depending on label orientation). Note that there are small stops to resist label sliding past door edge.



### Install Label on Trough Door

5. Printable label templates are available on the **CommScope**<sup>®</sup> website, which can be used along with available label stock to create finished port numbering labels.

**Note:** To print a designation label, go to <http://www.commscope.com/Resources/Labeling-Templates>, scroll down to the UD-Density Fiber Shelf and select the appropriate label template.