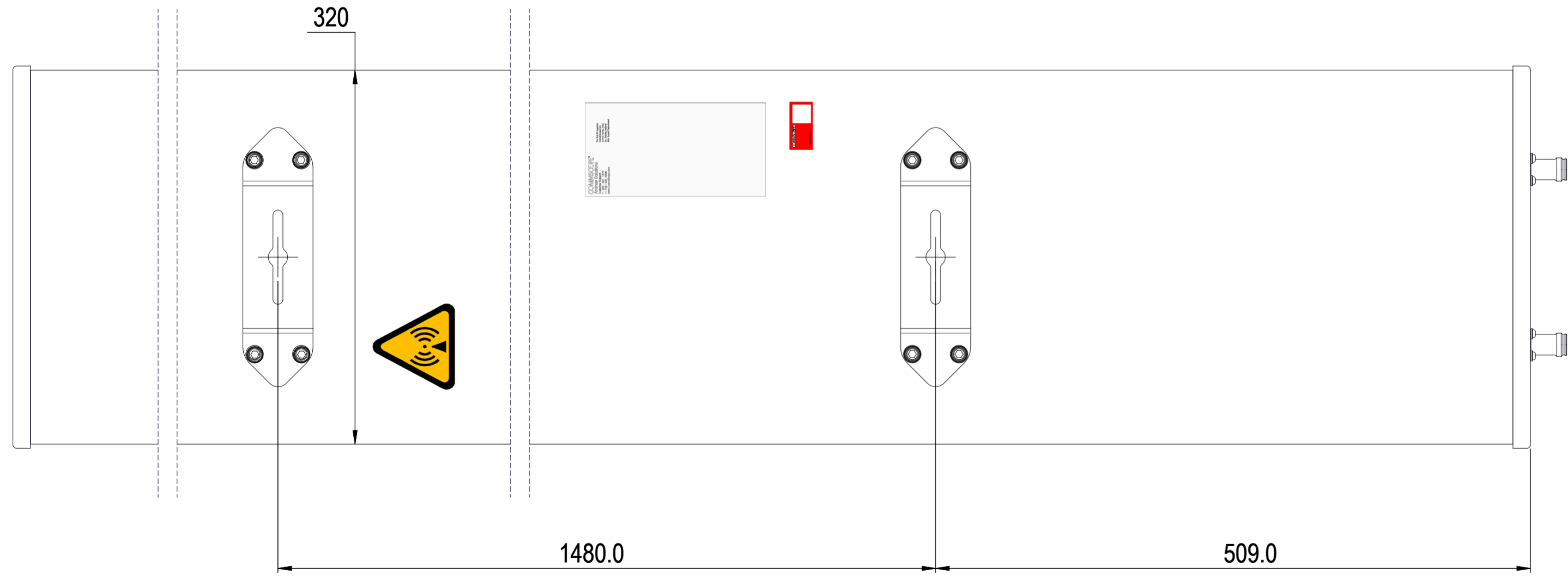
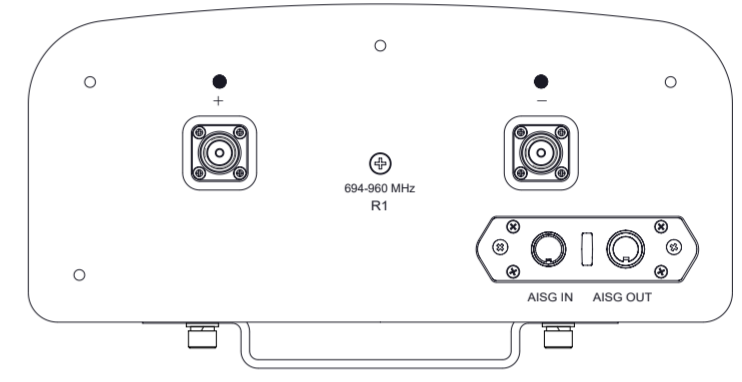
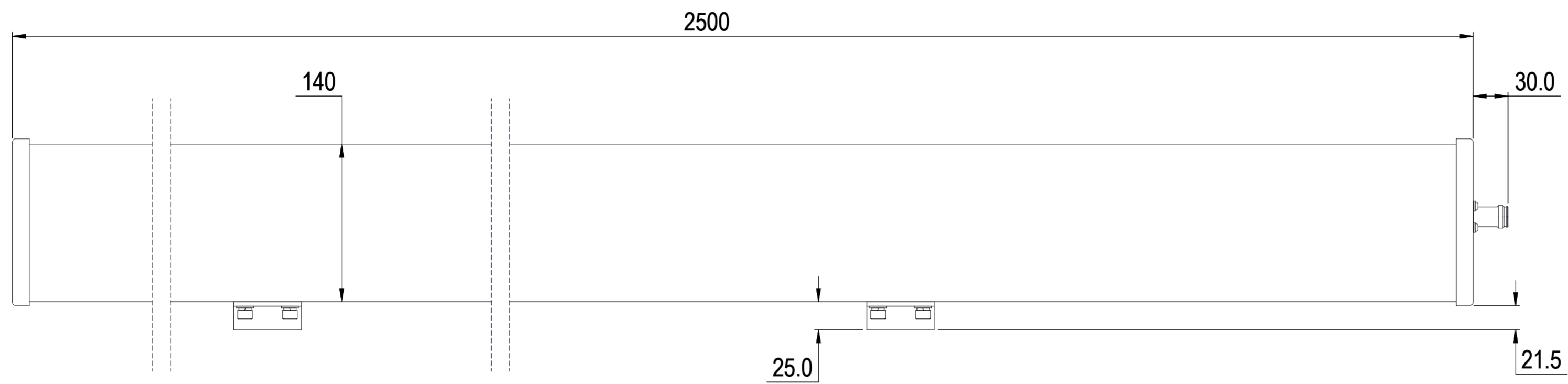


REVISIONS			
REV.	DESCRIPTION	DATE	APPROVED
A	ECR 8000036702: REL TO PRODUCTION PER EAO 606483.	16JAN20 HQJ	YXW/XC



2P-2L-C1

COMMSCOPE, INC. OF NORTH CAROLINA

TOLERANCES		SAP MATERIAL MASTER	
0 PLACE	X ±	2 PLACE	.XX ±
1 PLACE	.X ±	ANGLES	±
FINISH		MATERIAL	

UNLESS OTHERWISE SPECIFIED DIMENSIONS ARE IN MILLIMETERS INTERPRET PER ISO STANDARDS HANDBOOK TECHNICAL DRAWINGS VOLUMES 1 & 2, THIRD EDITION (2002)	NAME	DATE	PRODUCT DRAWING SCALE 1:1 DOCUMENT NO. 2P-2L-C1-L
	CE		
	RW	QH1005 01/16/2020	
	RV	XY1021 01/16/2020	
	AD	CX1012 01/16/2020	
RE	XK1001 01/16/2020	ECN 8000036702-O	

DENSITY	g/mm ³
MASS	grams
VOLUME	mm ³
SURFACE AREA	mm ²
HEIGHT	
LENGTH	
WIDTH	

SIZE	WORK AREA	23	MODEL	DRAWING			SHEET		
A2			VERSION	STATUS	REVISION	VERSION	STATUS	REVISION	1 OF 1
						00	RE	A	