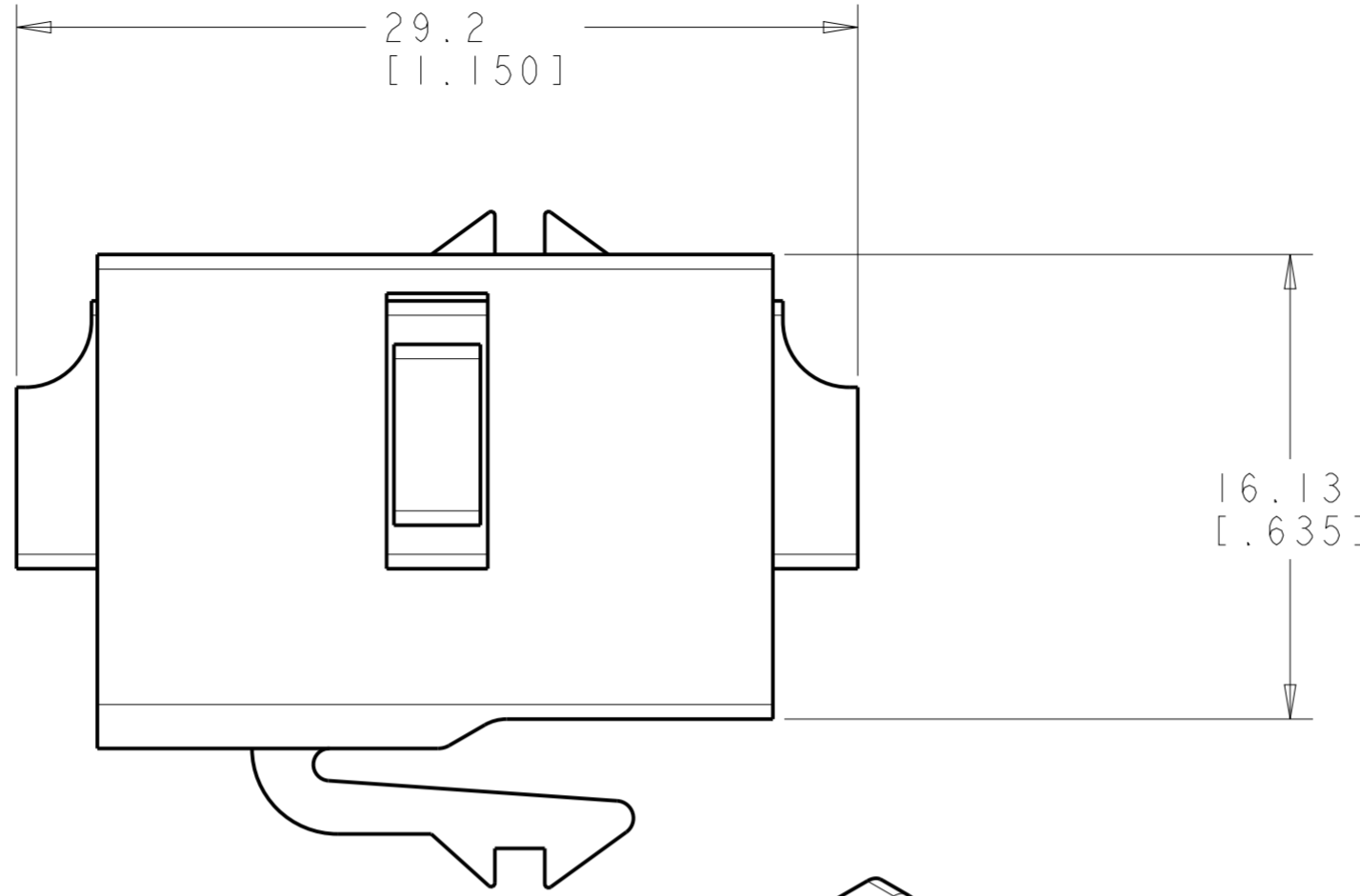
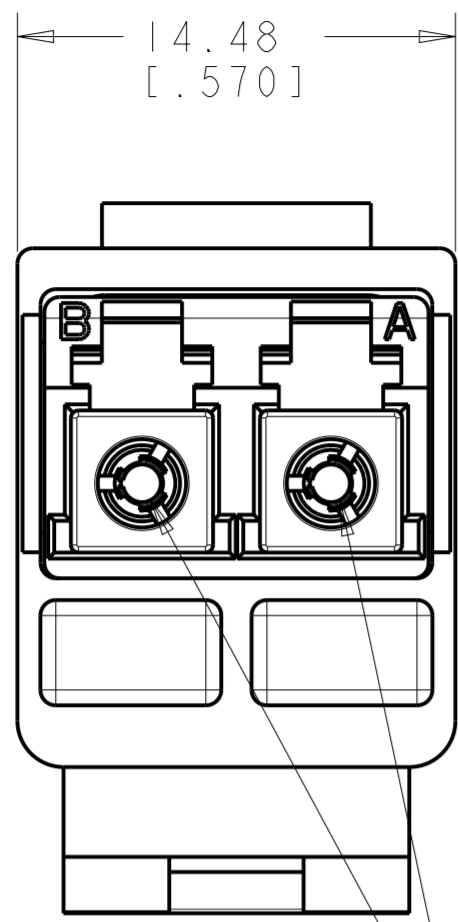


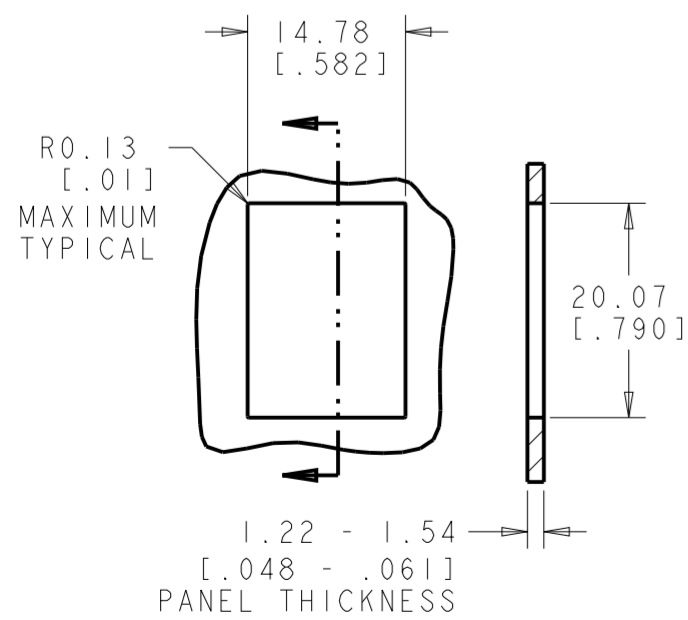
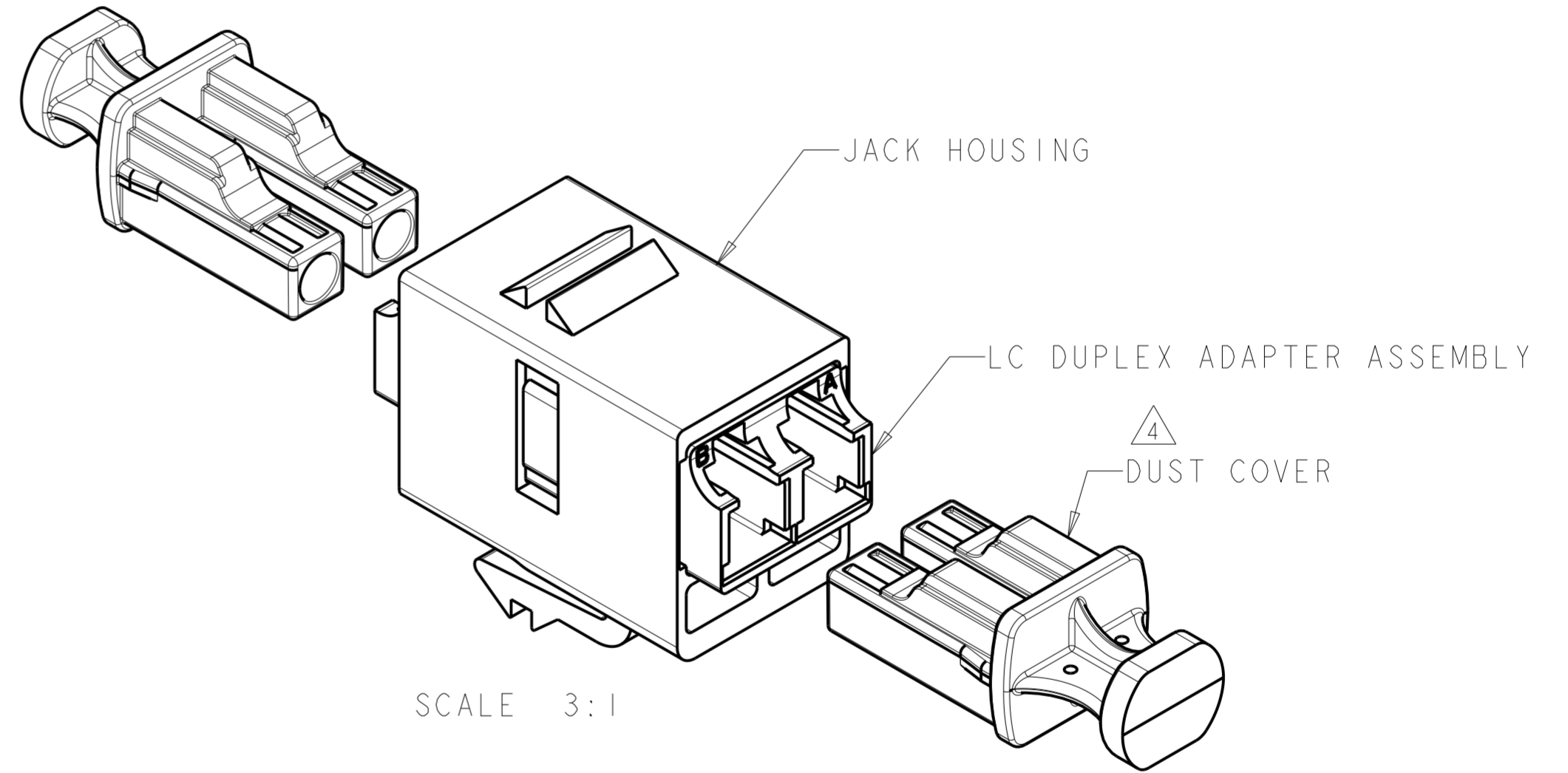
THIS DRAWING IS UNPUBLISHED. RELEASED FOR PUBLICATION
 © 2016 COMMSCOPE, INC. CONFIDENTIAL NOTICE: THESE DRAWINGS AND SPECIFICATIONS ARE THE PROPRIETARY PROPERTY OF COMMSCOPE, INC. AND MAY BE USED ONLY FOR THE SPECIFIC PURPOSE AUTHORIZED IN WRITING BY COMMSCOPE, INC.

REVISIONS				
P	LTR	DESCRIPTION	DATE	APVD
C		REV; ECO-10-020682	12OCT2010	GG RA
D		REV; ECO-15-006853	05MAY2015	GG TE
E		REV PER BNS_CD_BRAND	07FEB2017	GG DC

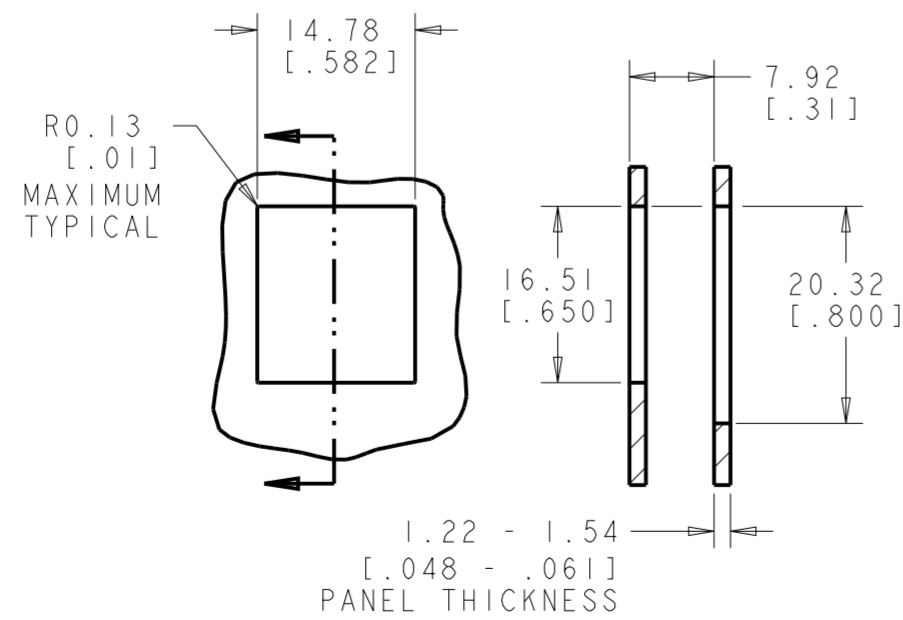


- 1 MATERIAL: JACK HOUSING - POLYPHENYLENE OXIDE, 94V-0 RATED.
LC DUPLEX ADAPTER ASSEMBLY - ULTEM 1010R.
- 2 THESE TWO SUGGESTED CUTOUT OPENINGS ARE USED IN TANDEM WITH DUAL FRONT AND BACK CUTOUTS.
- 3 PACKAGED ONE ASSEMBLY PER POLYBAG.
- 4 DUST COVERS SHOWN NOT ASSEMBLED BUT SHIPPED ASSEMBLED TO DUPLEX LC ADAPTER.

ALIGNMENT SLEEVE, CERAMIC
QUANTITY 2



SINGLE PANEL CUTOUT



SUGGESTED FLUSH MOUNT
PANEL APPLICATION CUTOUT

3	BEIGE	1-1933286-2
	BLACK	1-1933286-1
	AQUA	1933286-6
	BLUE	1933286-4
	GREEN	1933286-3
PACKAGE	COLOR	PART NUMBER

THIS DRAWING IS A CONTROLLED DOCUMENT.		DWN G. GARRETT 17APR2007
DIMENSIONS: MM [INCHES]		CHK G. BOWMAN 17APR2007
TOLERANCES UNLESS OTHERWISE SPECIFIED:		APVD G. BOWMAN 17APR2007
0 PLC	±	PRODUCT SPEC
1 PLC	±	APPLICATION SPEC
2 PLC	±	WEIGHT
3 PLC	±	Customer Drawing
4 PLC	±	
ANGLES	±	
FINISH	-	

COMMSCOPE, INC.			
NAME: DUPLEX, LC ADAPTER, SM-MM, SL HOUSING			
SIZE	CAGE CODE	DRAWING NO	RESTRICTED TO
A2	-	G-1933286	-
SCALE 4:1		SHEET	OF
		REV	E