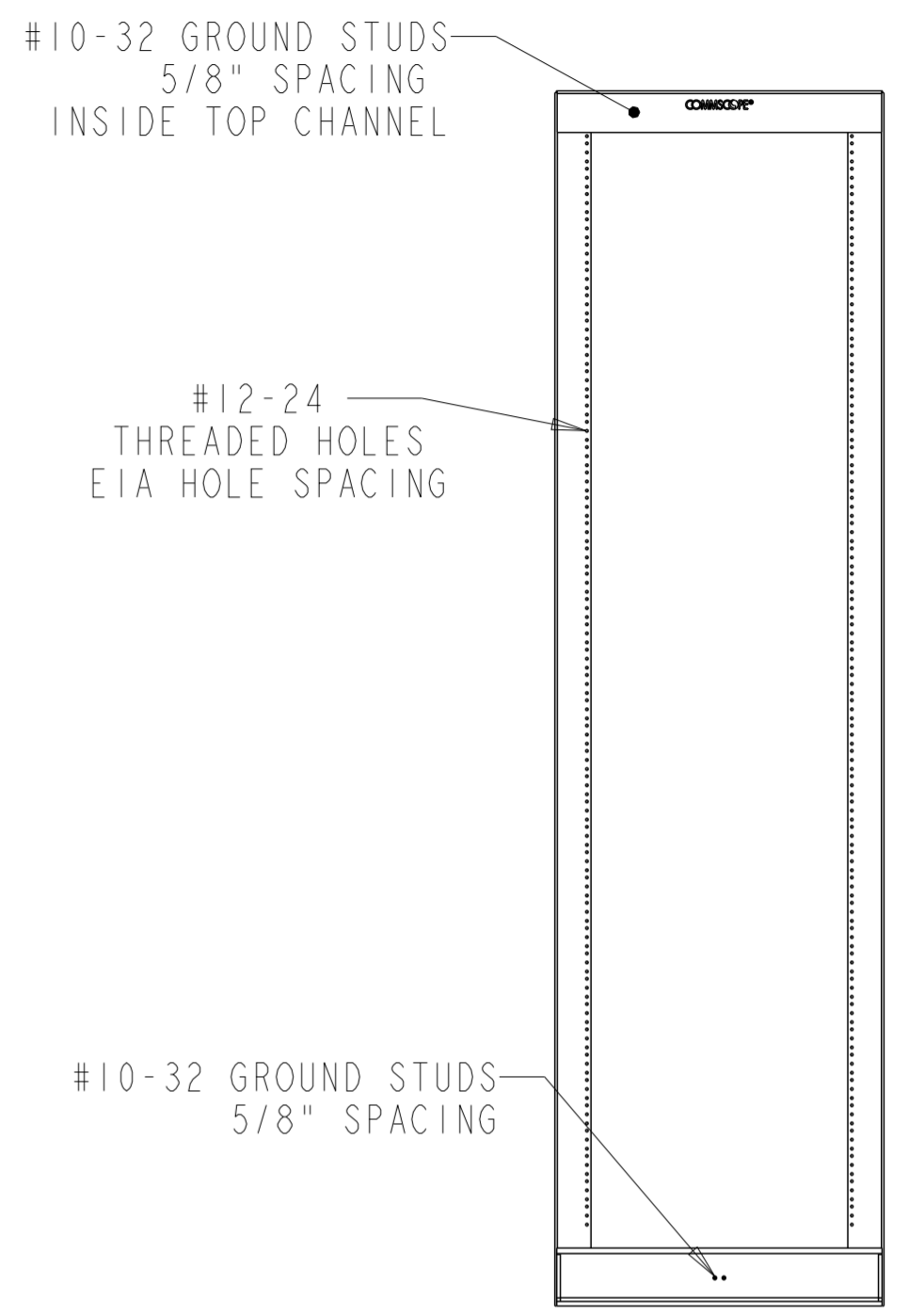
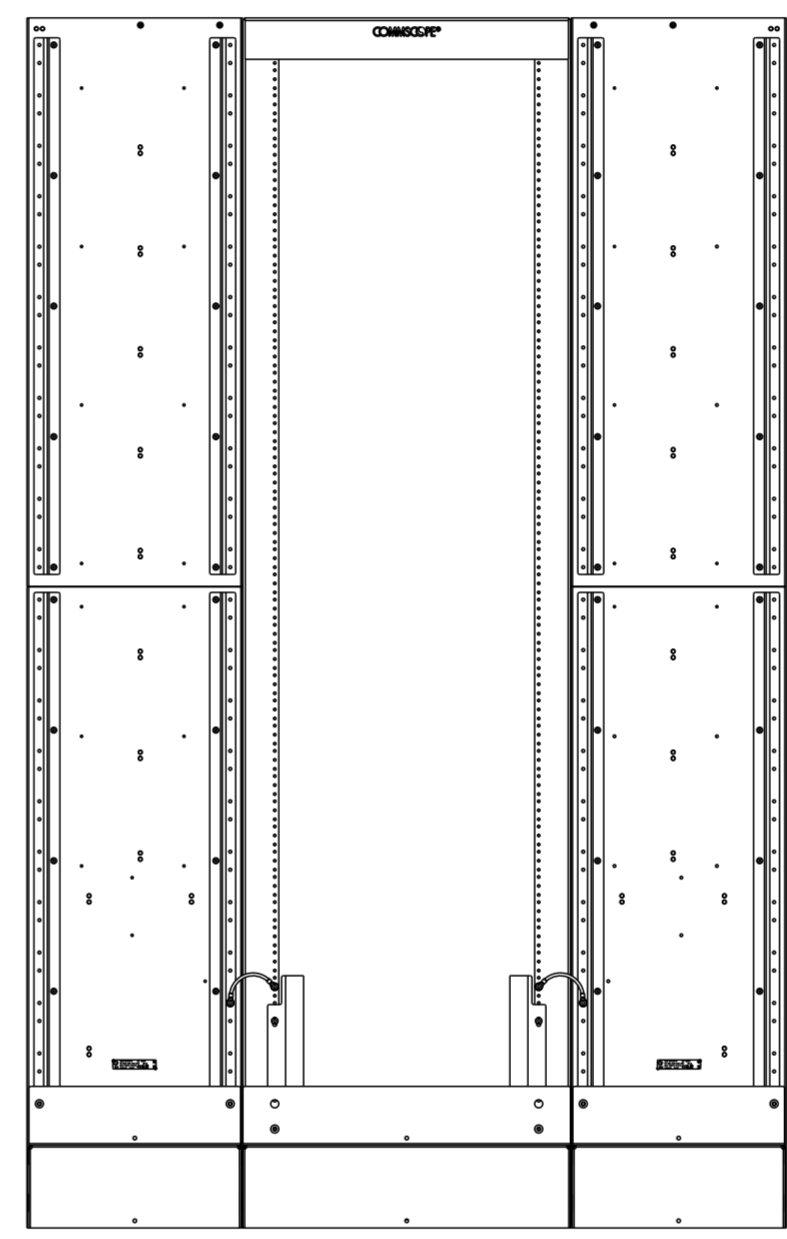
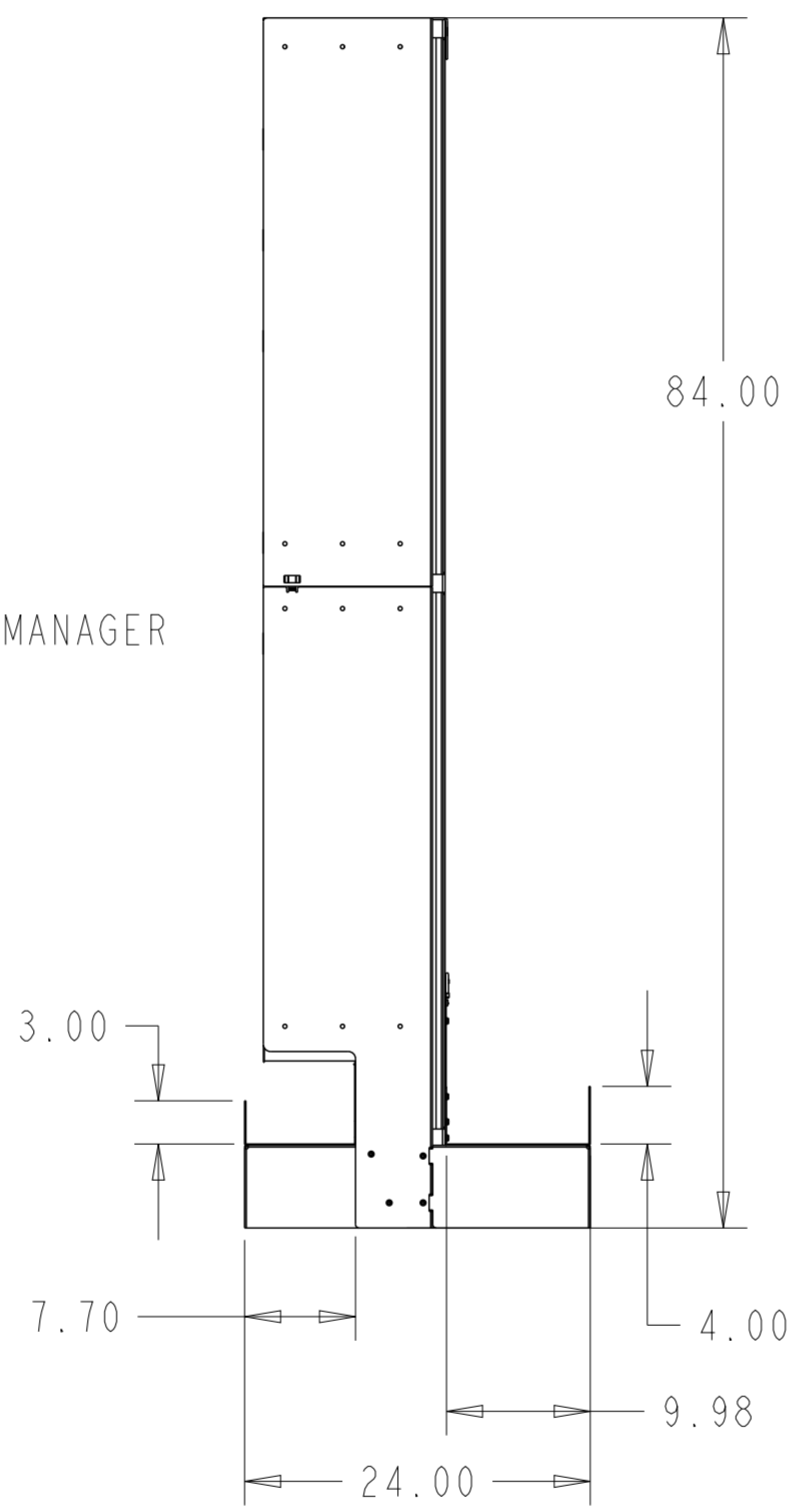
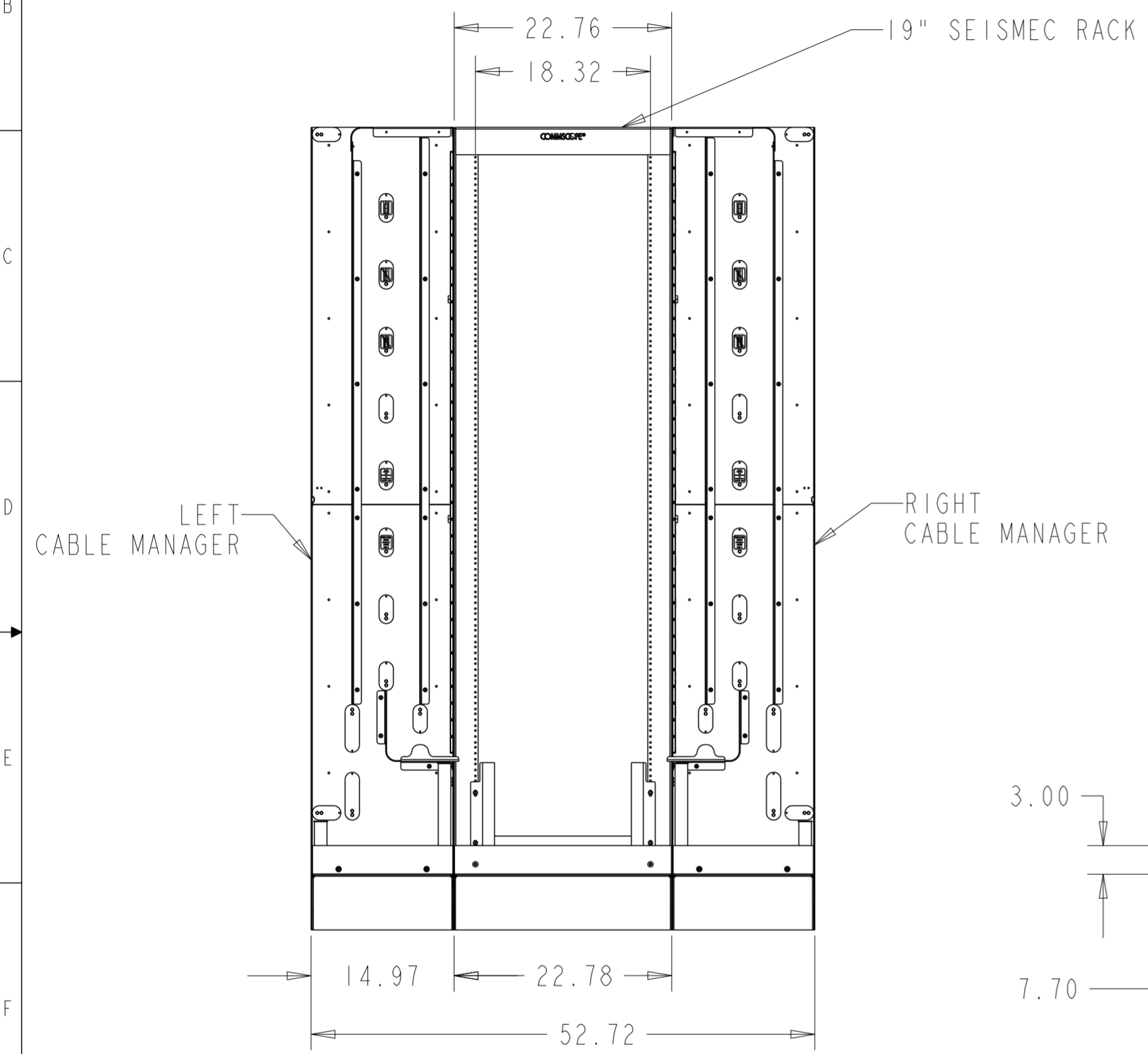
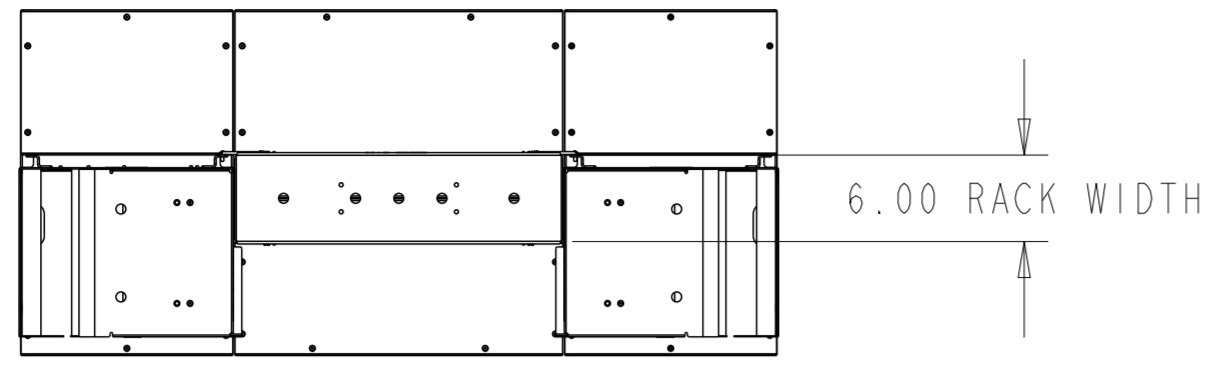


ASSEMBLY VIEWS WITH REFERENCE DIMENSIONS

REVISIONS			
REV	CMO	DATE	APPROVED
A	40080259CMO	19-FEB-19	RCS



FRONT VIEW

- NOTES:
1. INSTALL RACK GROUNDING BEFORE LOADING PANELS OR ASSEMBLING CENTER SHELVES.
 2. RACK - 2,000 LB STATIC LOAD CAPACITY.
 3. RACK - 800 LB SEISMIC LOAD CAPACITY (WITH SEISMIC ANCHOR KIT).

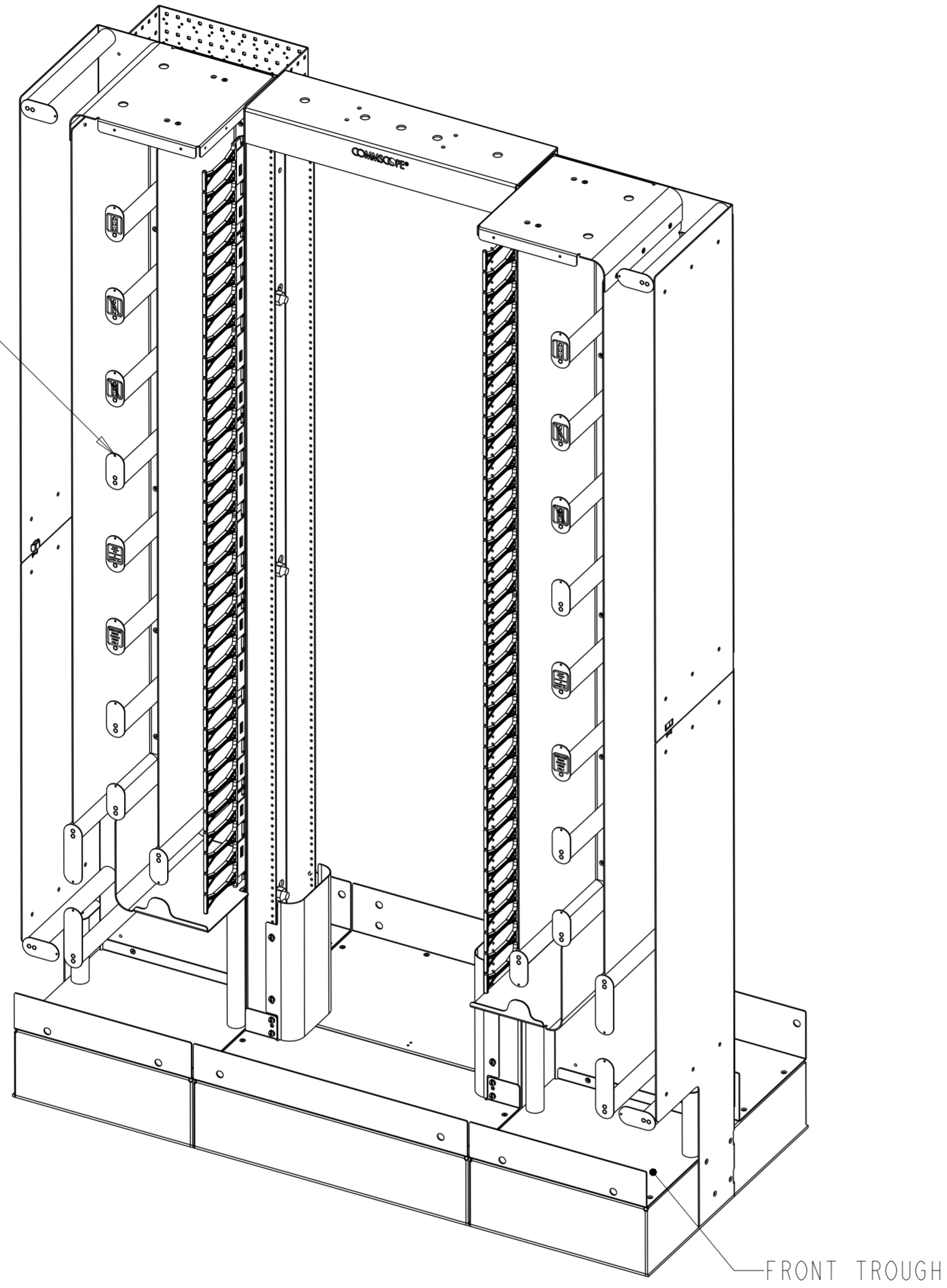
INSTALLATION DRAWING FOR:		
MID	DESCRIPTION	DETAIL
760242401	ODF-FF19CM	19" RACK & CABLE MGMT

© 2019 CommScope, Inc. Confidential
 NOTICE: These drawings and specifications are the proprietary property of COMMSCOPE, INC. and may be used only for the specific purpose authorized in writing by COMMSCOPE, INC.

COMMSCOPE, INC.										
TOLERANCES					SAP MATERIAL MASTER					
SEE TABLE										
FINISH					MATERIAL					
SYMBOLY AGREES WITH ASME Y14.5M - 2009. ALL SHEETS ARE THE SAME REVISION AND STATUS.	DRAFTER			TITLE						
	R. SCHOENFELDER			INSTALL DRAWING, FLEX FRAME						
	CHECKER			SIZE		SCALE		DOCUMENT NO.		
	FMT_ENGINEER_NAME			A2		0.08		A18014325		
CMO			40080259CMO							
ALL SURFACES			WORK AREA: 58		MODEL		DRAWING			
✓			[Symbol]		VERSION		STATUS		REVISION	
			00		[Hatched]		00		RE A	
									1 OF 5	

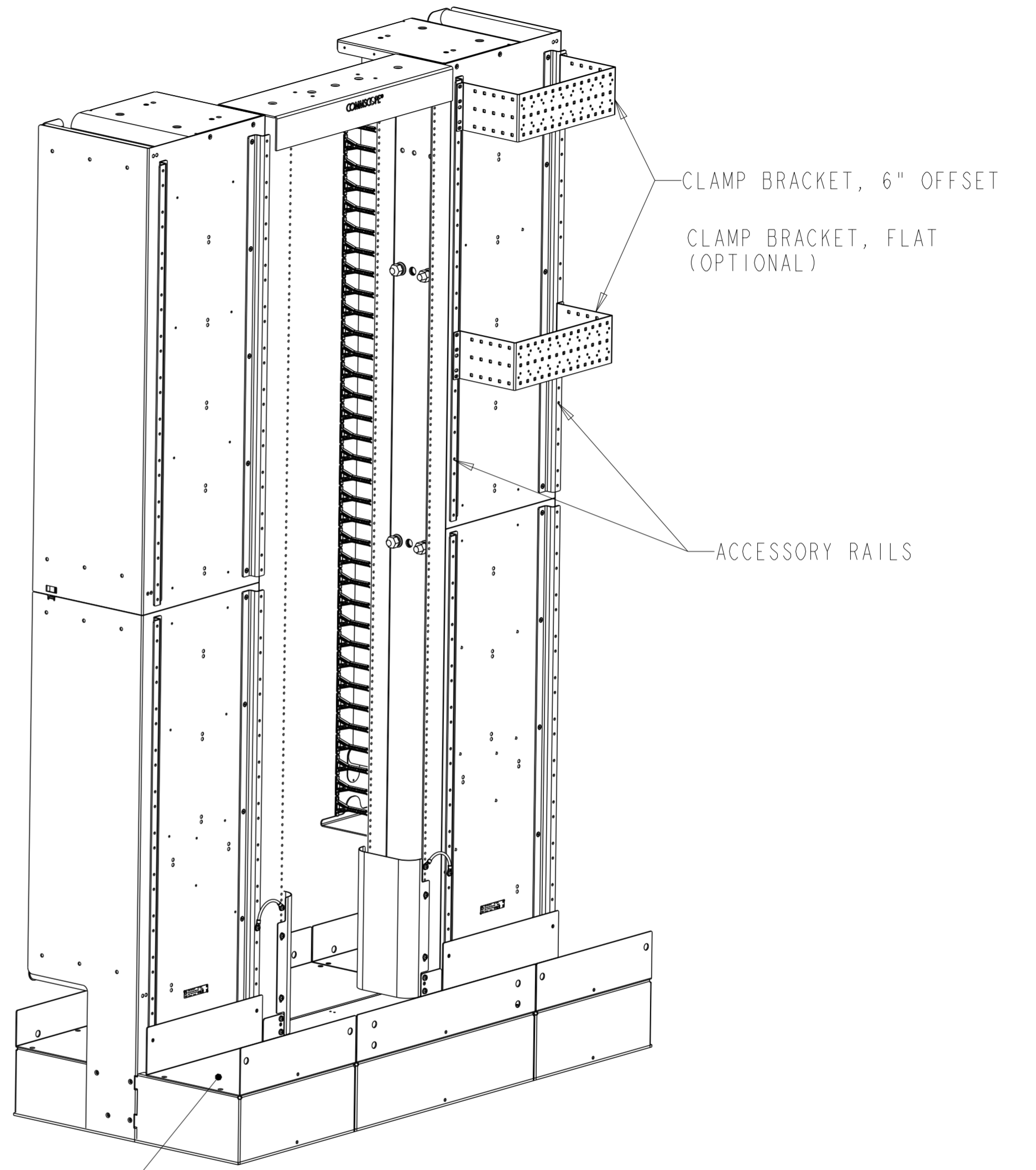
660003099	A
MID	REV

HANGING HOLE FOR
PATCH CORD
ROUTING GUIDE



FRONT ISO

REAR TROUGH

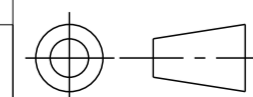


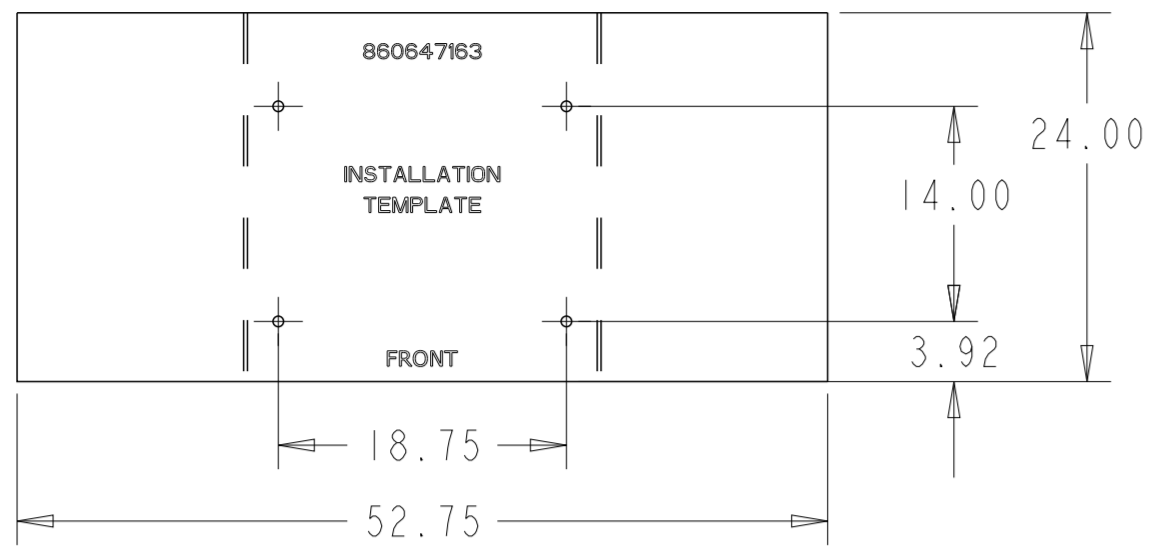
REAR ISO

COMMSCOPE, INC.			
TITLE			
INSTALL DRAWING, FLEX FRAME			
SIZE	SCALE	DOCUMENT NO.	
A2	0.115	A18014325	
DRAWING			SHEET
VERSION	STATUS	REVISION	2 OF 5
00	RE	A	

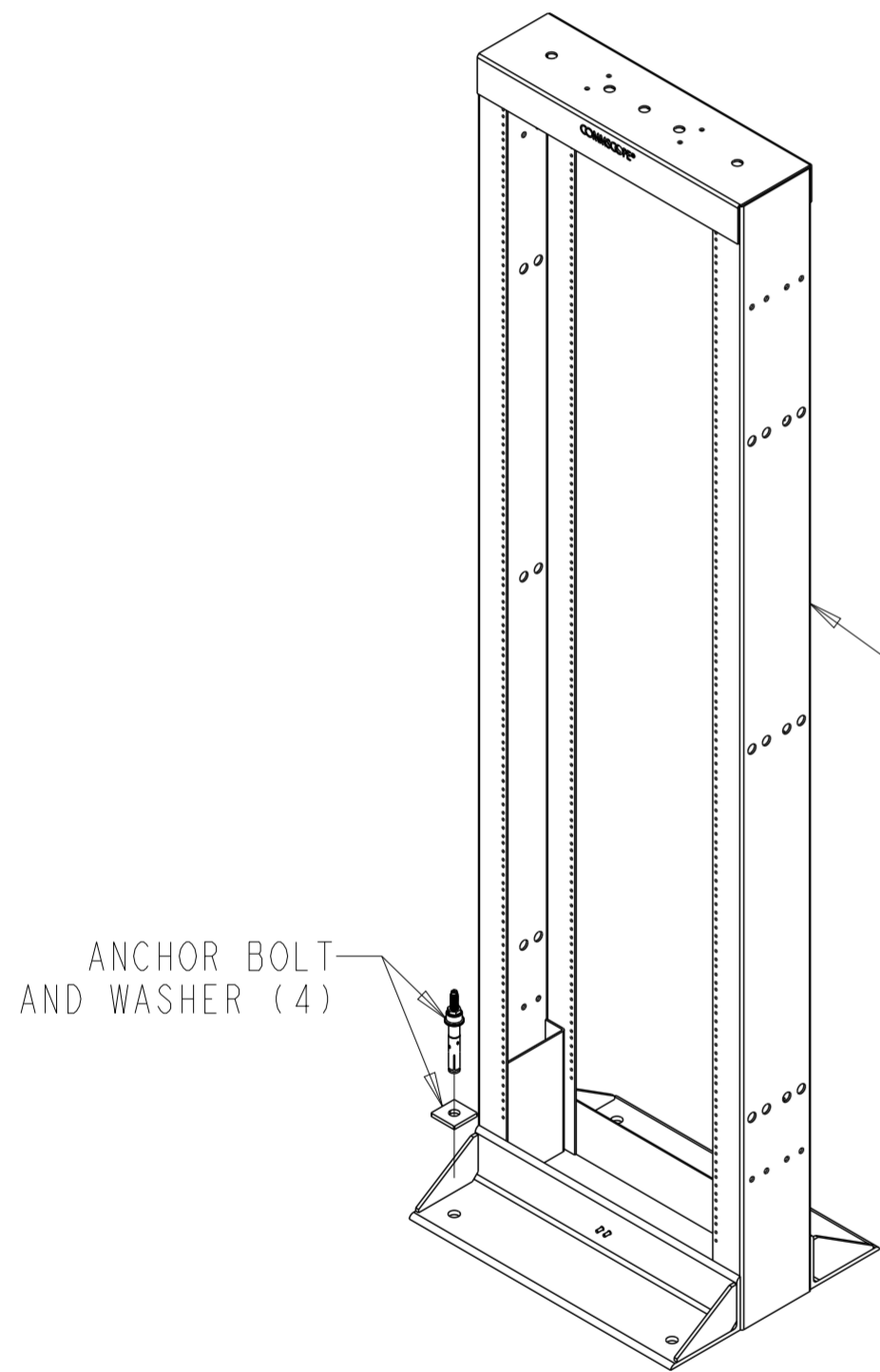
© 2019 CommScope, Inc. Confidential

NOTICE: These drawings and specifications are the proprietary property of COMMSCOPE, INC. and may be used only for the specific purpose authorized in writing by COMMSCOPE, INC.





INSTALLATION TEMPLATE



ANCHOR BOLT AND WASHER (4)

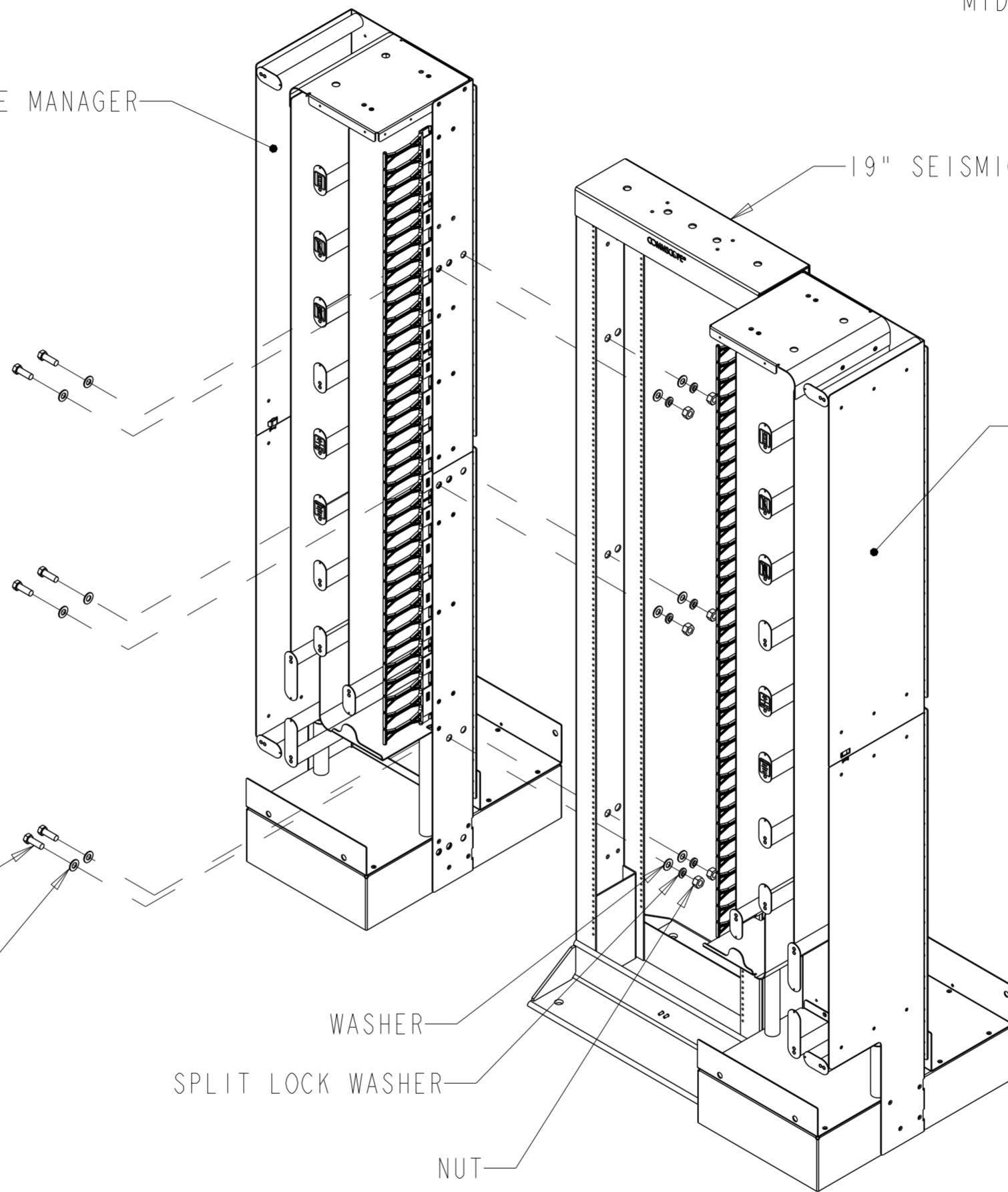
19" SEISMIC RACK WITH 6" SIDE CHANNELS

STEP 1

FASTEN RACK TO FLOOR IN POSITION.

USE SUPPLIED RACK ANCHOR BOLTS & SQUARE WASHERS (4).
INSTALLATION TEMPLATE ALSO PROVIDED.

LEFT CABLE MANAGER



CABLE MANAGER REAR ACCESSORY RAILS
ALIGN WITH BACK OF RACK

BOLT POSITIONS
NOTE: NOT ALL HOLES ARE USED IN
MID AND UPPER POSITIONS

RIGHT CABLE MANAGER

19" SEISMIC RACK

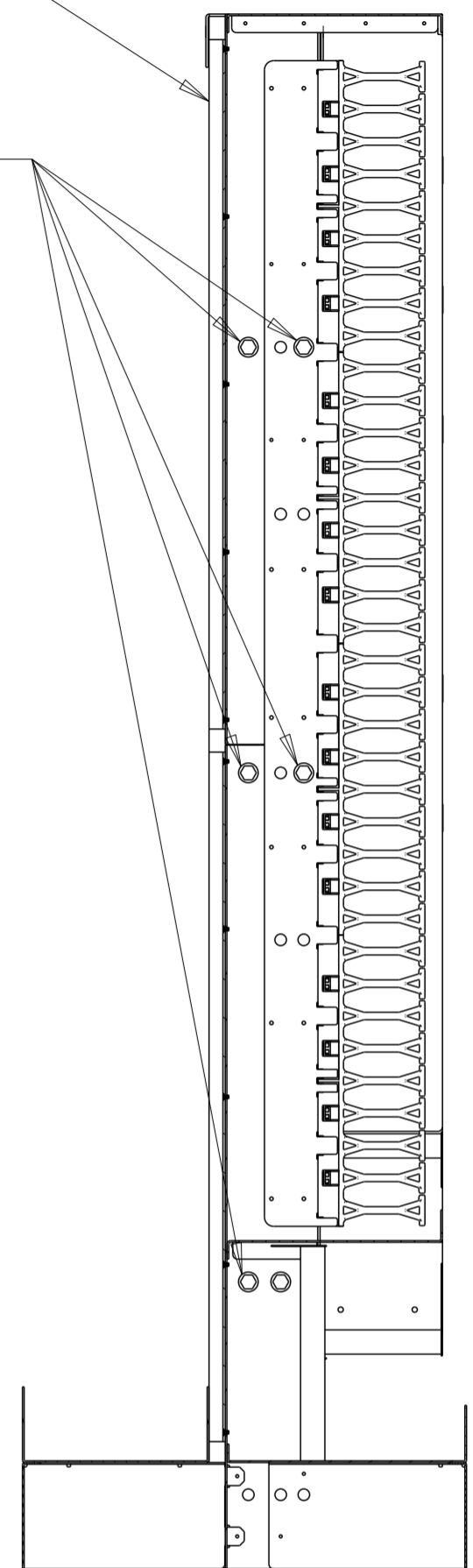
WASHER
SPLIT LOCK WASHER
NUT

STEP 2

FASTEN LEFT AND RIGHT CABLE MANAGERS TO RACK.

ALIGN AND ASSEMBLE AS SHOWN.

6 BOLTS/WASHERS/NUTS PER SIDE.



COMMSCOPE, INC.

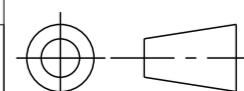
TITLE
INSTALL DRAWING, FLEX FRAME

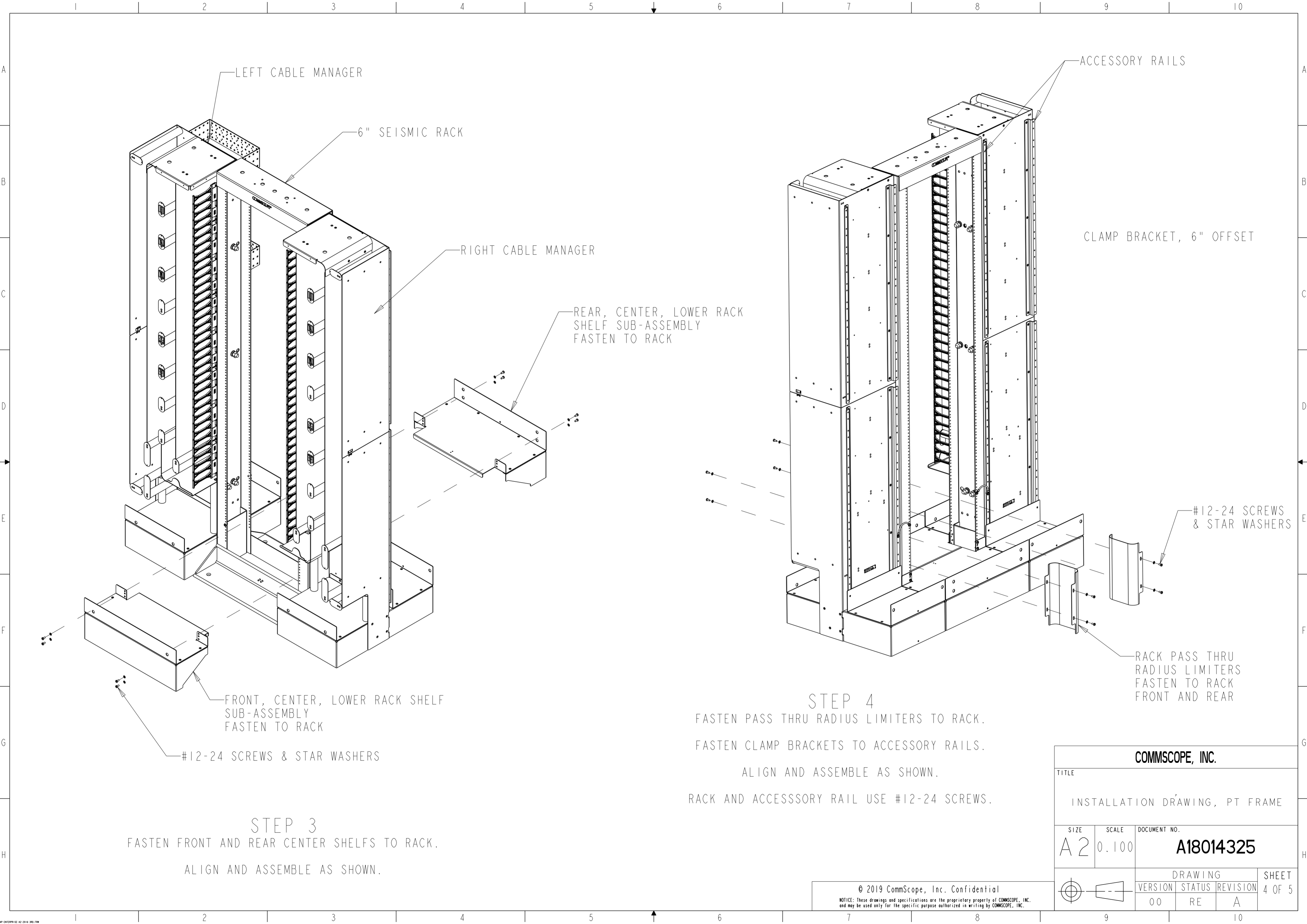
SIZE A2	SCALE 0.090	DOCUMENT NO. A18014325
------------	----------------	---------------------------

DRAWING	SHEET	
	VERSION	STATUS
00	RE	A
		3 OF 5

© 2019 CommScope, Inc. Confidential

NOTICE: These drawings and specifications are the proprietary property of COMMSCOPE, INC. and may be used only for the specific purpose authorized in writing by COMMSCOPE, INC.



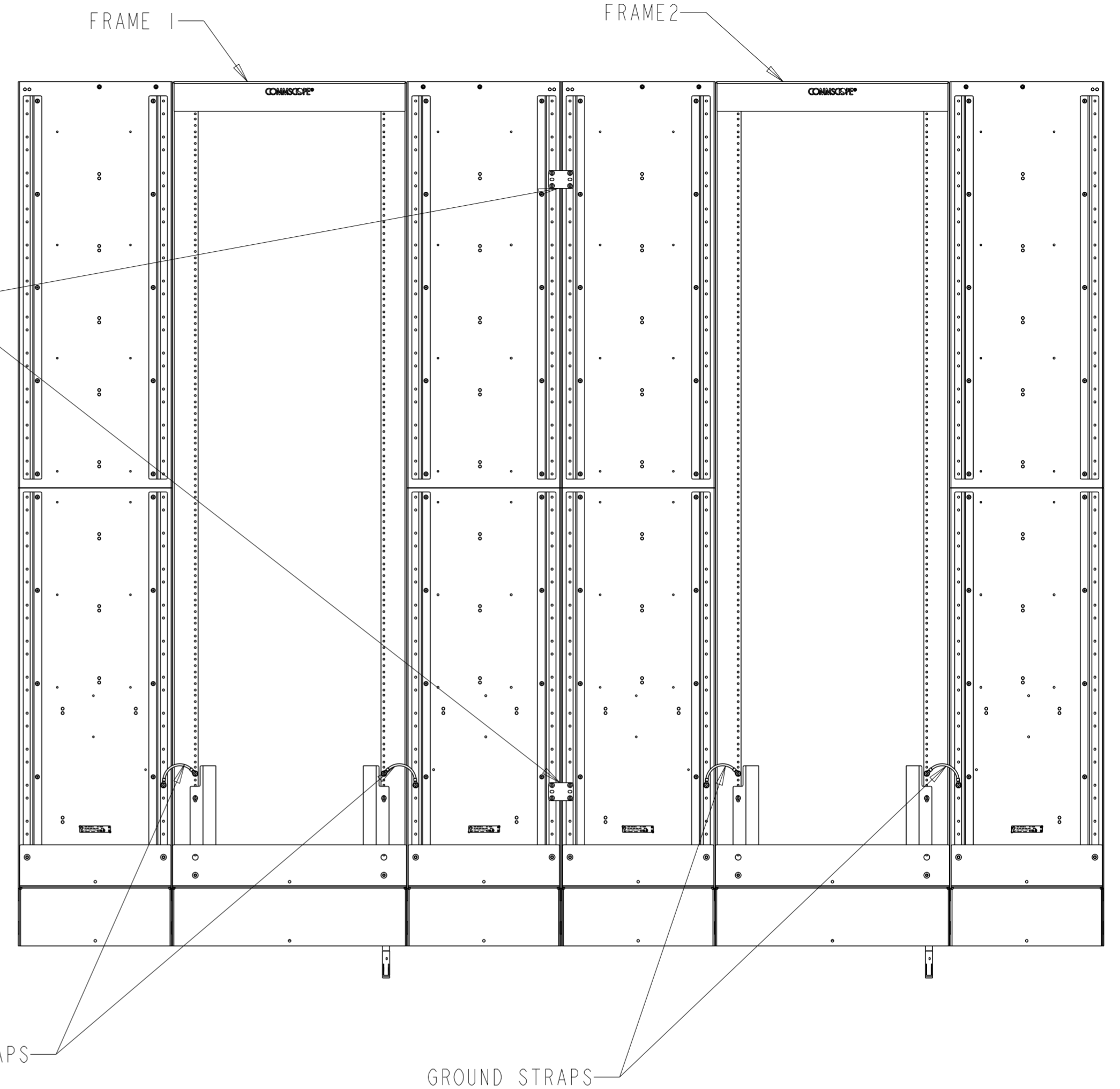
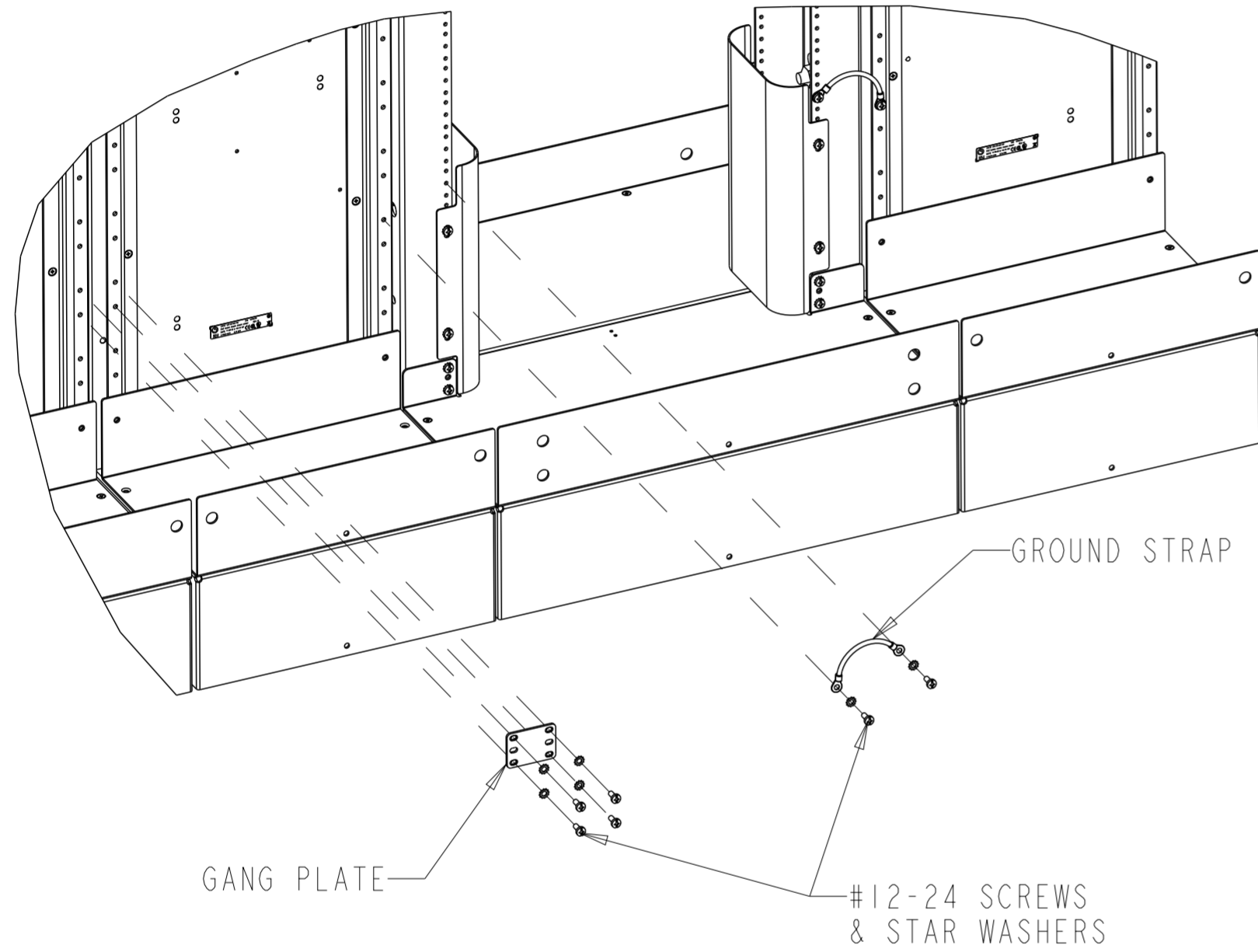


STEP 3
 FASTEN FRONT AND REAR CENTER SHELVES TO RACK.
 ALIGN AND ASSEMBLE AS SHOWN.

STEP 4
 FASTEN PASS THRU RADIUS LIMITERS TO RACK.
 FASTEN CLAMP BRACKETS TO ACCESSORY RAILS.
 ALIGN AND ASSEMBLE AS SHOWN.
 RACK AND ACCESSORY RAIL USE #12-24 SCREWS.

COMMSCOPE, INC.			
TITLE			
INSTALLATION DRAWING, PT FRAME			
SIZE	SCALE	DOCUMENT NO.	
A2	0.100	A18014325	
DRAWING			SHEET
VERSION	STATUS	REVISION	4 OF 5
00	RE	A	

© 2019 CommScope, Inc. Confidential
 NOTICE: These drawings and specifications are the proprietary property of COMMSCOPE, INC. and may be used only for the specific purpose authorized in writing by COMMSCOPE, INC.



STEP 5
 ATTACH GROUND STRAPS BETWEEN SIDE CABLE MANAGERS AND RACK AS SHOWN.
 POSITION MAY VARY DEPENDING ON ACCESSORIES USED.
 ASSEMBLE USING #12-24 SCREWS.

WHEN PART OF A FRAME LINEUP, FASTEN GANG PLATES
 TO ADJACENT CABLE MANAGEMENT ACCESSORY RAILS TO AID ALIGNMENT.
 ASSEMBLE AS SHOWN, USING #12-24 SCREWS.

COMMSCOPE, INC.			
TITLE INSTALL DRAWING, FLEX FRAME			
SIZE A2	SCALE 0.075	DOCUMENT NO. A18014325	
DRAWING			SHEET
VERSION STATUS REVISION			5 OF 5
00 RE A			

© 2019 CommScope, Inc. Confidential
 NOTICE: These drawings and specifications are the proprietary property of COMMSCOPE, INC. and may be used only for the specific purpose authorized in writing by COMMSCOPE, INC.

